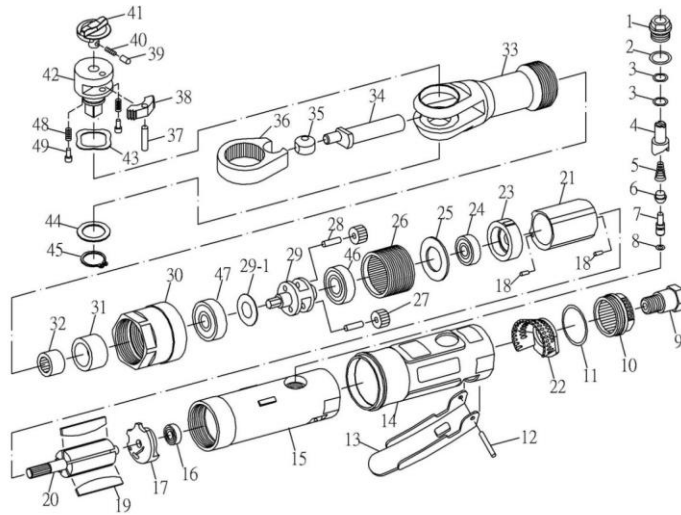


ZP161 1/2" Air Ratchet Wrench



TECHNICAL DATA

Square Drive	inch(mm)	: 1/2"(12.7)
Std Bolt Size	inch(mm)	: 1/4(6.4)
Free Speed	R.P.M.	: 175
Max. Torque	ft-lb(Nm)	: 50(68)
Avg. Air Cons.	cfm(l/min)	: 3(85)
Air Inlet Size	inch	: 1/4"
Net Weight	lb(kg)	: 2.6(1.18)
Overall Length	inch(mm)	: 10-13/32(265)
Min Hose Size	inch(mm)	: 3/8(10)
Operating Air Pressure	(kg/cm2)	: 90(6.2)

PARTS LIST

Index #	Part #	Description	Q'ty	Index #	Part #	Description	Q'ty
1	ZP161-01	SCREW	1	26	ZP161-26	THREAD RING GEAR(41T)	1
2	ZP161-02	O-RING(P12)	1	27	ZP161-27	GEAR(16T)(2)	2
3	ZP161-03	O-RING(P8) (2)	2	28	ZP161-28	IDLER GEAR PIN(2)	2
4	ZP161-04	AIR REGULATOR	1	29	ZP161-29	IDLER GEAR PLATE	1
5	ZP161-05	SPRING	1	29-1	ZP161-29-1	WASHER	1
6	ZP161-06	VALVE STEM BUSHING	1	30	ZP161-30	CLAMP NUT	1
7	ZP161-07	VALVE STEM	1	31	ZP161-31	BUSHING	1
8	ZP161-08	O-RING(3.5*1.4)	1	32	ZP161-32	NEEDLE BEARING	1
9	ZP161-09	AIR INLET	1	33	ZP161-33	RATCHET HOUSING	1
10	ZP161-10	EXHAUST SLEEVE	1	34	ZP161-34	CRANK SHAFT	1
11	ZP161-11	O-RING(26.7*1.78)	1	35	ZP161-35	DRIVE BUSHING	1
12	ZP161-12	SPRING PIN	1	36	ZP161-36	RATCHET YOKE	1
13	ZP161-13	LEVER	1	37	ZP161-37	PIN	1
14	ZP161-14	PROTECTING RUBBER	1	38	ZP161-38	RATCHET PAWL	1
15	ZP161-15	HOUSING	1	39	ZP161-39	LOCK PIN	1
16	ZP161-16	BEARING	1	40	ZP161-40	SPRING	1
17	ZP161-17	REAR PLATE	1	41	ZP161-41	REVERSE BUTTON	1
18	ZP161-18	PIN (2)	2	42	ZP161-42	RATCHET ANVIL (1/2")	1
19	ZP161-19	ROTOR BLADE(4)	4	43	ZP161-43	WAVE WASHER	1
20	ZP161-20	ROTOR	1	44	ZP161-44	WASHER	1
21	ZP161-21	CYLINDER	1	45	ZP161-45	RETAINER RING	1
22	ZP161-22	CONE MUFFLER	1	46	ZP161-46	BEARING (6001Z)	1
23	ZP161-23	FRONT PLATE	1	47	ZP161-47	BEARING (6000ZZ)	1
24	ZP161-24	BEARING(608ZZ)	1	48	ZP161-48	SPRING(2)	2
25	ZP161-25	WASHER	1	49	ZP161-49	PIN(2)	2