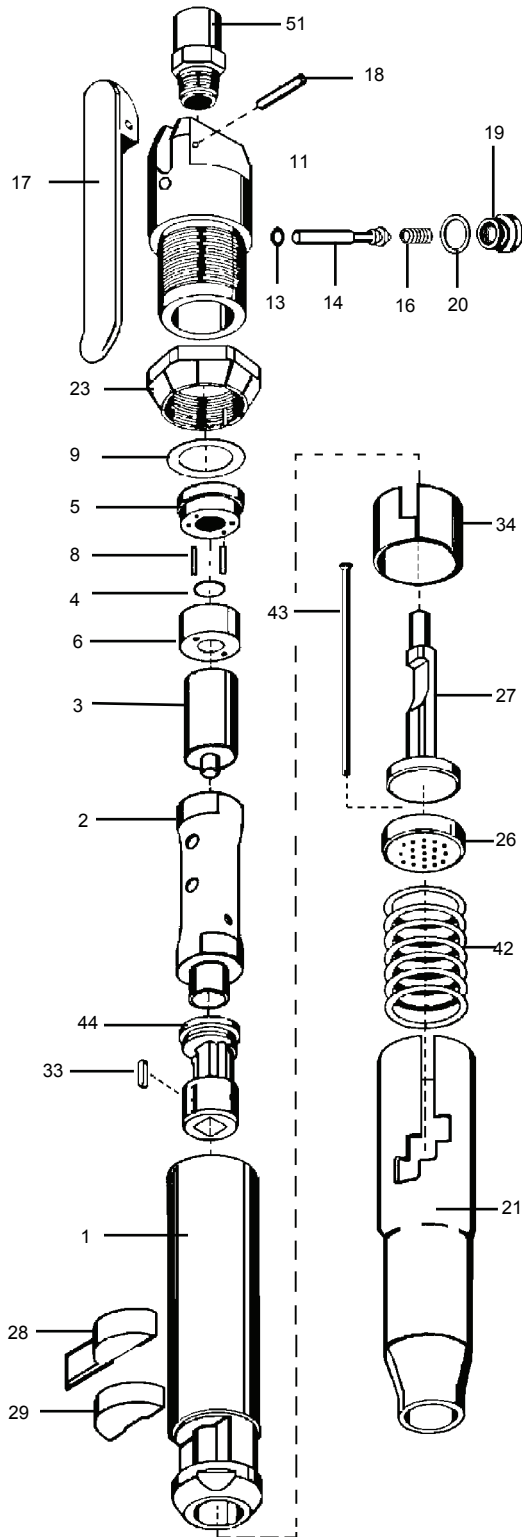


PARTS LIST SCALER Made in the USA ZNS-5US



CLECO TYPE

INDEX	PART	DESCRIPTION
1	5001	BARREL
2	5002	BARREL SLEEVE
3	5003	PLUNGER (PISTON)
4	5004	VALVE
5	5005	VALVE SEAT UPPER
6	5006	VALVE SEAT LOWER
8	5008	VALVE DOWEL PIN (2)
9	5009	VALVE SHIM (opt.)
NS	5012	THROTTLE LEVER ASSEMBLY (index #11 through 20)
11	5011	BACKHEAD
13	5013	"O" RING
14	5014	THROTTLE VALVE
16	5016	THROTTLE VALVE SPRING
17	5017	THROTTLE LEVER
18	5018	THROTTLE LEVER PIN
19	5019	THROTTLE VALVE CAP
20	5020	THROTTLE VALVE CAP GASKET
21	5021	NEEDLE TUBE (ROUND)
23	5023	BACKHEAD LOCK RING
26	5026	NEEDLE HOLDER
27	5027	NEEDLE DRIVER
28	5028	RETAINER
29	5029	RETAINER BUFFER
33	5033	KEY
34	5034	RETAINER CLIP
42	5042	NEEDLE HOLDER SPRING
43	5043	NEEDLE 5" (19)
NS	5043L	NEEDLE 7" (19)
44	5044	SQUARE BUSHING
51	5036	AIR INLET BUSHING (opt.)

WHEN ORDERING REPLACEMENT PARTS, FURNISH THE MODEL NUMBER(S) AND SERIAL NUMBER(S) OF YOUR TOOLS.



Specifications -5S

Net Weight	2.05 kg	4.5 lbs
Length	267 mm	10.5 in
Bore	25 mm	1 in
Stroke	28.5 mm	1.125 in
Blows per minute	4650	4650
Chuck Sizes	13 mm Sqr	1/2 Sqr
Air Inlet (NPT)	10 mm	3/8 in NPT
Air Consumption*	.34 m ³ /m	12 cfm

WHEN ORDERING
REPLACEMENT
PARTS, FURNISH
THE MODEL
NUMBER(S) AND
SERIAL NUMBER(S)
OF YOUR TOOLS.



Specifications -5N

Net Weight	2.9 kg	6.4 lbs
Length	394 mm	15.5 in
Bore	25 mm	1 in
Stroke	28.5 mm	1.125 in
Blows per minute	4650	4650
Chuck Sizes	13 mm Sqr	1/2 Sqr
Air Inlet (NPT)	10 mm	3/8 in NPT
Air Consumption*	.34 m ³ /m	12 cfm

*estimated

CLECO TYPE

WARNING:

ALWAYS DISCONNECT THE AIR SUPPLY BEFORE CHANGING CHISELS OR DISMANTLING THE TOOL FOR SERVICE OR REPAIR. FOR MAXIMUM SAFETY WE ADVISE THE INSTALLATION OF A SHUT-OFF VALVE AT THE END OF THE AIR LINE.