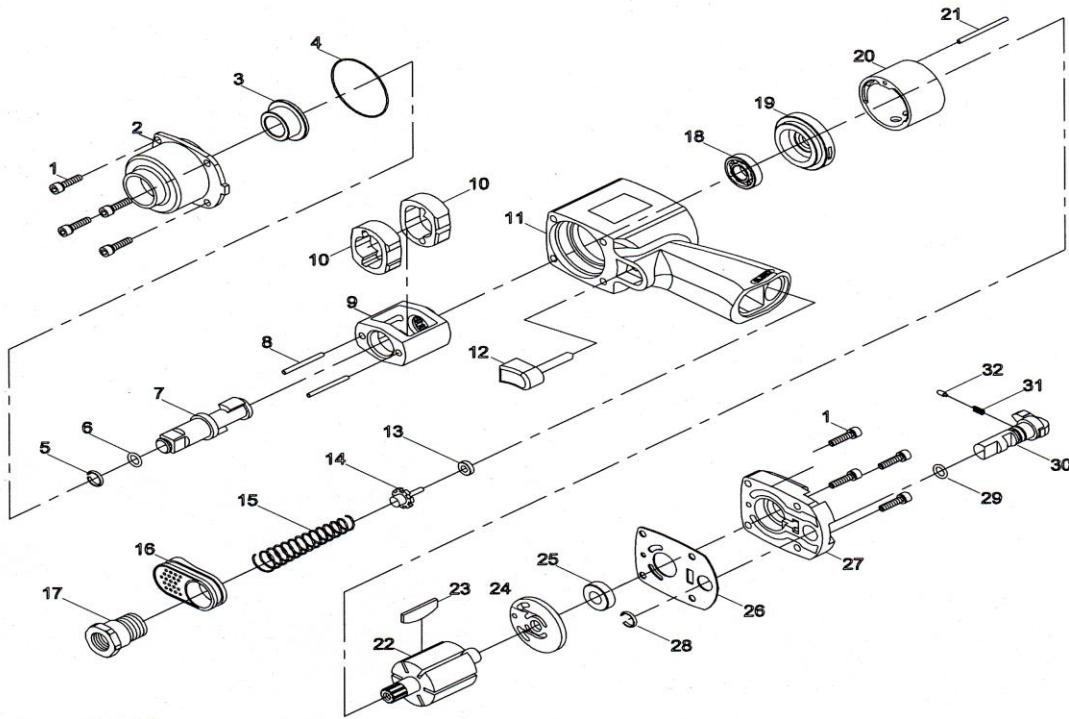


# ZIW440 - 1/2" Impact Wrench(Twin Hammer)



## TECHNICAL DATA

Square Drive inch	1/2
Std. Bolt Size inch (mm)	5/8(16)
Free Speed R.P.M	11,000
Max. Torque ft-lb(N.M)	400(543)
Air Inlet PT	1/4
Min. Air Hose I.D	3/8
Avg. Air Consumption cfm	7(200)
Net Weight lbs (kgs)	3.3 (1.5)

## PARTS LIST

Index #	Part #	Description	Q'ty	Index #	Part #	Description	Q'ty
1	ZIW440-01	Screw(8)	8	17	ZIW440-17	Inlet Bushing	1
2	ZIW440-02	Hammer Housing	1	18	ZIW440-18	Ball Bearing	1
3	ZIW440-03	Anvil Bushing	1	19	ZIW440-19	Front Plate	1
*4	ZIW440-04	O-Ring	1	20	ZIW440-20	Cylinder	1
*5	ZIW440-05	Socket Retainer	1	21	ZIW440-21	Cylinder Pin	1
*6	ZIW440-06	Retainer O-Ring	1	22	ZIW440-22	Rotor	1
7	ZIW440-07	Anvil 1/2"	1	*23	ZIW440-23	Rotor Blade	6
8	ZIW440-08	Hammer Pin	2	24	ZIW440-24	Rear Plate	1
9	ZIW440-09	Hammer Cage	1	25	ZIW440-25	Ball Bearing	1
10	ZIW440-10	Hammer Dog	2	*26	ZIW440-26	Gasket	1
11	ZIW440-11	Motor Housing	1	27	ZIW440-27	Housing Cap	1
12	ZIW440-12	Trigger	1	*28	ZIW440-28	Retainer	1
*13	ZIW440-13	Throttle Bushing	1	*29	ZIW440-29	O-Ring	1
*14	ZIW440-14	Valve Stem	1	30	ZIW440-30	Reverse Valve	1
15	ZIW440-15	Spring	1	31	ZIW440-31	Spring	1
16	ZIW440-16	Exhaust Deflector	1	32	ZIW440-32	Steel Ball	1

**\*FOR FREQUENCY REPLACEMENT PARTS**

DATE : 12/01/2014