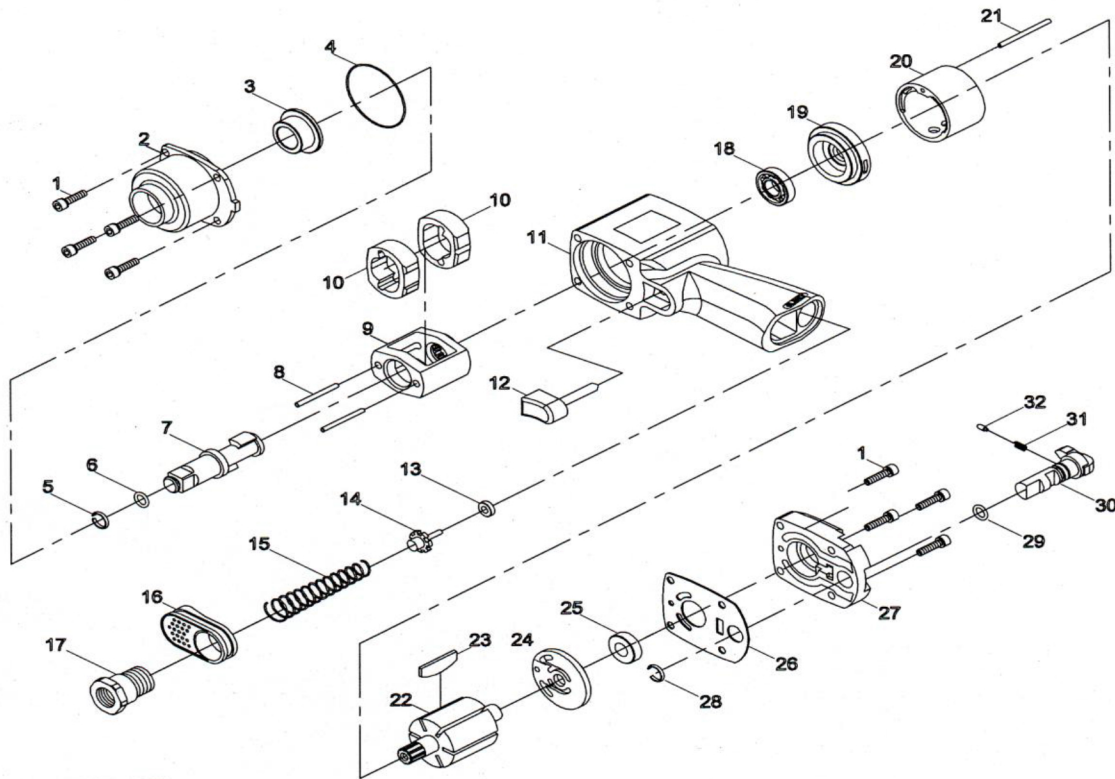


ZIW335 - 3/8" Impact Wrench(Twin Hammer)



TECHNICAL DATA

Square Drive inch	3/8
Std. Bolt Size inch (mm)	9/16(14)
Free Speed R.P.M	11,000
Max. Torque ft-lb(N.M)	350(475)
Air Inlet PT	1/4
Min. Air Hose I.D	3/8
Avg. Air Consumption cfm	7(200)
Net Weight lbs (kgs)	3.3 (1.5)

PARTS LIST

Index #	Part #	Description	Q'ty	Index #	Part #	Description	Q'ty
1	ZIW335-01	Screw(8)	8	17	ZIW335-17	Inlet Bushing	1
2	ZIW335-02	Hammer Housing	1	18	ZIW335-18	Ball Bearing	1
3	ZIW335-03	Anvil Bushing	1	19	ZIW335-19	Front Plate	1
*4	ZIW335-04	O-Ring	1	20	ZIW335-20	Cylinder	1
*5	ZIW335-05	Socket Retainer	1	21	ZIW335-21	Cylinder Pin	1
*6	ZIW335-06	Retainer O-Ring	1	22	ZIW335-22	Rotor	1
7	ZIW335-07	Anvil 3/8"	1	*23	ZIW335-23	Rotor Blade	6
8	ZIW335-08	Hammer Pin	2	24	ZIW335-24	Rear Plate	1
9	ZIW335-09	Hammer Cage	1	25	ZIW335-25	Ball Bearing	1
10	ZIW335-10	Hammer Dog	2	*26	ZIW335-26	Gasket	1
11	ZIW335-11	Motor Housing	1	27	ZIW335-27	Housing Cap	1
12	ZIW335-12	Trigger	1	*28	ZIW335-28	Retainer	1
*13	ZIW335-13	Throttle Bushing	1	*29	ZIW335-29	O-Ring	1
*14	ZIW335-14	Valve Stem	1	30	ZIW335-30	Reverse Valve	1
15	ZIW335-15	Spring	1	31	ZIW335-31	Spring	1
16	ZIW335-16	Exhaust Deflector	1	32	ZIW335-32	Detent Pin	1

***FOR FREQUENCY REPLACEMENT PARTS**

DATE : 2015.01.27