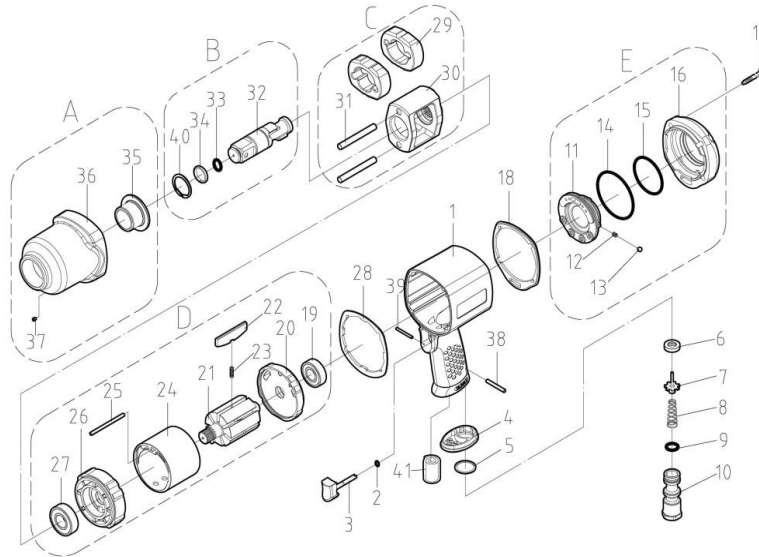


## ZIW1078C 1" COMPOSITE AIR IMPACT WRENCH



### TECHNICAL DATA

Square Drive	inch(mm)	:	1"(25)
Free Speed	R.P.M.	:	5500
Max. Torque(15 secs)	ft-lb(NM)	:	1500(2030)
Working torque(5 secs)	ft-lb(NM)	:	1200(1630)
Avg. Air Cons.	cfm(l/min)	:	4.9(139)
Net Weight	lbs(kgs)	:	8.2(3.7)
Impact mechanism		:	Twin Hammer

### PARTS LIST

Index #	Part #	Description	Q'ty	Index #	Part #	Description	Q'ty
1	ZIW1078C-01	Housing	1	26	ZIW1078C-26	Front Plate	1
2	ZIW1078C-02	O-Ring	1	27	ZIW1078C-27	Ball Bearing	1
3	ZIW1078C-03	Trigger	1	28	ZIW1078C-28	Packing	1
4	ZIW1078C-04	Exhaust Deflector	1	29	ZIW1078C-29	Hammer(2)	2
5	ZIW1078C-05	Washer	1	30	ZIW1078C-30	Hammer Cage	1
6	ZIW1078C-06	Oil Seal	1	31	ZIW1078C-31	Hammer Pin(2)	2
7	ZIW1078C-07	Pin Valve Rod	1	32	ZIW1078C-32	Anvil	1
8	ZIW1078C-08	Cone Spring	1	33	ZIW1078C-33	O-Ring	1
9	ZIW1078C-09	O-Ring	1	34	ZIW1078C-34	Anvil Collar	1
10	ZIW1078C-10	Air Inlet	1	35	ZIW1078C-35	Bushing	1
11	ZIW1078C-11	Reverse Lever	1	36	ZIW1078C-36	Front Casing	1
12	ZIW1078C-12	Spring	1	37	ZIW1078C-37	Oil Drop	1
13	ZIW1078C-13	Steel Ball	1	38	ZIW1078C-38	Spring Pin	1
14	ZIW1078C-14	O-Ring	1	39	ZIW1078C-39	Spring Pin	1
15	ZIW1078C-15	O-Ring	1	40	ZIW1078C-40	Inverted Retaining Ring	1
16	ZIW1078C-16	Cover	1	41	ZIW1078C-41	Muffer Filter	1
17	ZIW1078C-17	Screw(4)	1				
18	ZIW1078C-18	Packing	1				
19	ZIW1078C-19	Ball Bearing	1				
20	ZIW1078C-20	Rear Plate	1				
21	ZIW1078C-21	Rotor	1				
22	ZIW1078C-22	Blade(6)	1				
23	ZIW1078C-23	Spring(6)	1				
24	ZIW1078C-24	Cylinder	1				
25	ZIW1078C-25	Spring Pin	1				