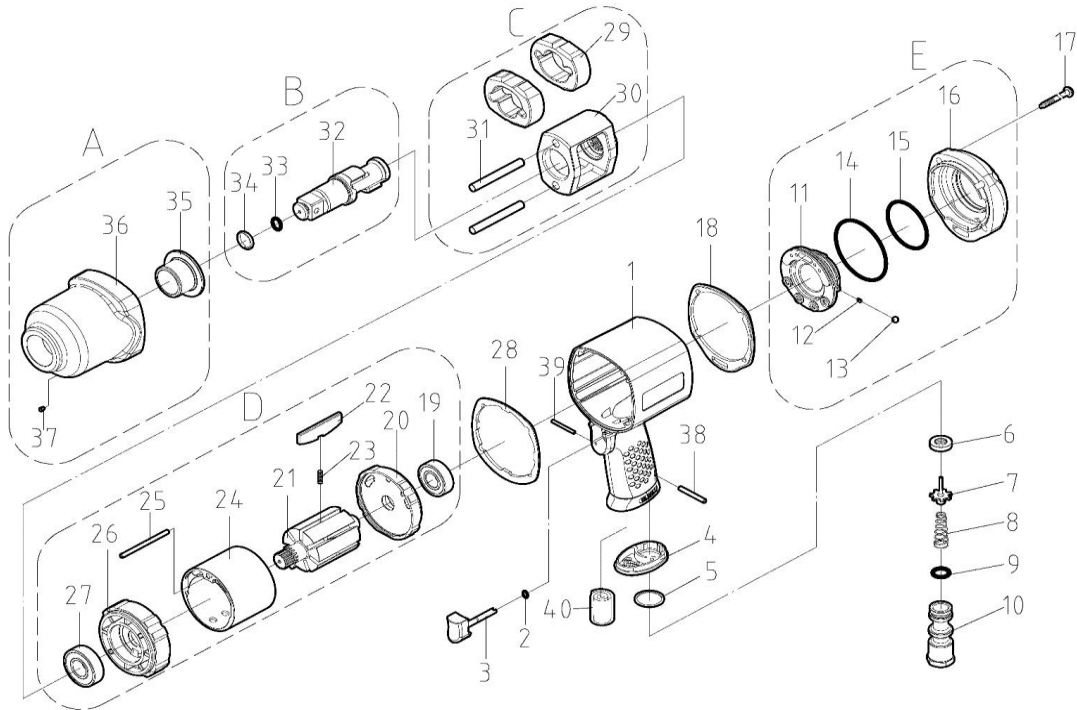


# ZIW1077C 3/4" Composite Air Impact Wrench



## TECHNICAL DATA

Square drive inch(mm)	:3/8"
Free speed R.P.M	:5500
Max. torque (15sec.)ft-lb	:1500
Working torque (5sec) ft-lb	:1200
Air inlet size inch-NPT/PT Hose	:1/4"
size inch(mm)	:3/8(10)
Avg. air consumption cfm(scfm)	:4.9 (35)
Net weight lbs(kgs)	:8.2(3.7)

## PARTS LIST

Index #	Part #	Description	Q'ty	Index #	Part #	Description	Q'ty
1	ZIW1077C-01	Housing	1	21	ZIW1077C-21	Rotor	1
2	ZIW1077C-02	O-Ring	1	22	ZIW1077C-22	Blade	6
3	ZIW1077C-03	Trigger	1	23	ZIW1077C-23	Spring	6
4	ZIW1077C-04	Exhaust Deflector	1	24	ZIW1077C-24	Cylinder	1
5	ZIW1077C-05	Washer	1	25	ZIW1077C-25	Spring Pin	1
6	ZIW1077C-06	Oil Seal	1	26	ZIW1077C-26	Front Plate	1
7	ZIW1077C-07	Pin Valve Rod	1	27	ZIW1077C-27	Ball Bearing	1
8	ZIW1077C-08	Cone Spring	1	28	ZIW1077C-28	Packing	1
9	ZIW1077C-09	O-Ring	1	29	ZIW1077C-29	Hammer	2
10	ZIW1077C-10	Air Inlet	1	30	ZIW1077C-30	Hammer Cage	1
11	ZIW1077C-11	Reverse Lever	1	31	ZIW1077C-31	Hammer Pin	2
12	ZIW1077C-12	Spring	1	32	ZIW1077C-32	Anvil	1
13	ZIW1077C-13	Steel Ball	1	33	ZIW1077C-33	O-Ring	1
14	ZIW1077C-14	O-Ring	1	34	ZIW1077C-34	Anvil Collar	1
15	ZIW1077C-15	O-Ring	1	35	ZIW1077C-35	Bushing	1
16	ZIW1077C-16	Cover	1	36	ZIW1077C-36	Front Casing	1
17	ZIW1077C-17	Screw	4	37	ZIW1077C-37	Oil Drop	1
18	ZIW1077C-18	Packing	1	38	ZIW1077C-38	Spring Pin	1
19	ZIW1077C-19	Ball Bearing	1	39	ZIW1077C-39	Spring Pin	1
20	ZIW1077C-20	Rear Plate	1	40	ZIW1077C-40	Muffler Filter	1

DATE : 2015.03.04