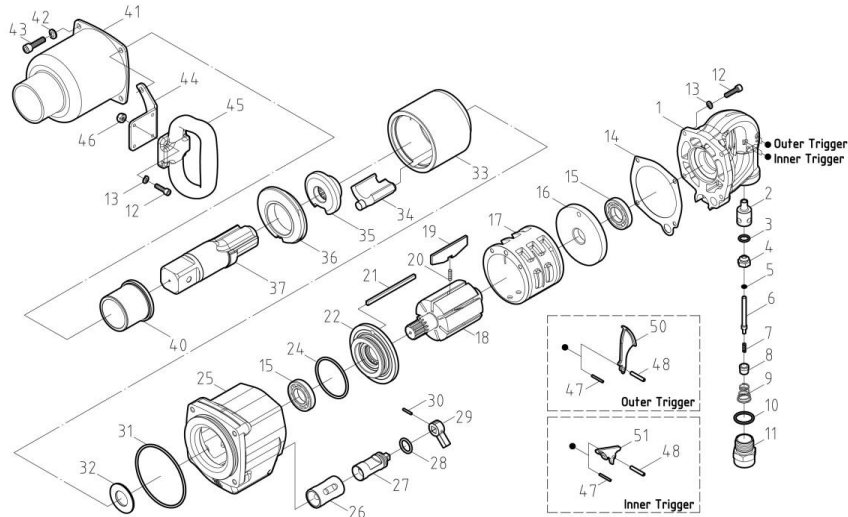


ZIW1076 1-1/2" IMPACT WRENCH



TECHNICAL DATA

Square Drive	inch(mm)	:	1-1/2"(37)
Free Speed	R.P.M.	:	4000
Max. Torque(15 secs)	ft-lb(NM)	:	2500(3389)
Working torque(5 secs)	ft-lb(NM)	:	2300(3118)
Avg. Air Cons.	cfm(l/min)	:	12(339)
Net Weight	lbs(kgs)	:	31.7(14.4)
Air Inlet Size	inch-NPT/PT	:	1/2"
Impact mechanism		:	Pin Less

PARTS LIST

Index #	Part #	Description	Q'ty	Index #	Part #	Description	Q'ty
1	ZIW1076-1	Handle body	1	30	ZIW1076-30	Spring Pin	1
2	ZIW1076-2	Reverse Valve	1	31	ZIW1076-31	O-Ring	1
3	ZIW1076-3	O-Ring	1	32	ZIW1076-32	Anvil Rear Spacer	1
4	ZIW1076-4	Reverse Valve	1	33	ZIW1076-33	Hammer Cage	1
5	ZIW1076-5	O-Ring	1	34	ZIW1076-34	Hammer	1
6	ZIW1076-6	Pin Valve Rod	1	35	ZIW1076-35	Hammer Cam	1
7	ZIW1076-7	Spring	1	36	ZIW1076-36	Anvil Front Spacer	1
8	ZIW1076-8	Reverse Valve	1	37	ZIW1076-37	Anvil	1
9	ZIW1076-9	Cone Spring	1	40	ZIW1076-40	Bushing	1
10	ZIW1076-10	O-Ring	1	41	ZIW1076-41	Front Casing	1
11	ZIW1076-11	Air Inlet (1/2"-14NPT)	1	42	ZIW1076-42	Spring Washer(4)	4
12	ZIW1076-12	Screw(8)	8	43	ZIW1076-43	Screw(4)	4
13	ZIW1076-13	Spring Washer(8)	8	44	ZIW1076-44	Bolt Holder	1
14	ZIW1076-14	Packing	1	45	ZIW1076-45	Handle	1
15	ZIW1076-15	Ball Bearing(2)	2	46	ZIW1076-46	Lock Nut(4)	4
16	ZIW1076-16	Rear Plate	1	Outer Trigger			
17	ZIW1076-17	Cylinder	1	47	ZIW1076-47	Spring Pin	1
18	ZIW1076-18	Rotor	1	48	ZIW1076-48	Spring Pin	1
19	ZIW1076-19	Blade(7)	7	50	ZIW1076-50	Trigger	1
20	ZIW1076-20	Spring(7)	7	Inner Trigger			
21	ZIW1076-21	Key	1	47	ZIW1076-47	Spring Pin	1
22	ZIW1076-22	Front Plate	1	48	ZIW1076-48	Spring Pin	1
24	ZIW1076-24	O-Ring	1	51	ZIW1076-51	Trigger	1
25	ZIW1076-25	Housing	1				
26	ZIW1076-26	Valve Bushing	1				
27	ZIW1076-27	Reverse Valve	1				
28	ZIW1076-28	O-Ring	1				
29	ZIW1076-29	Reverse Lever	1				