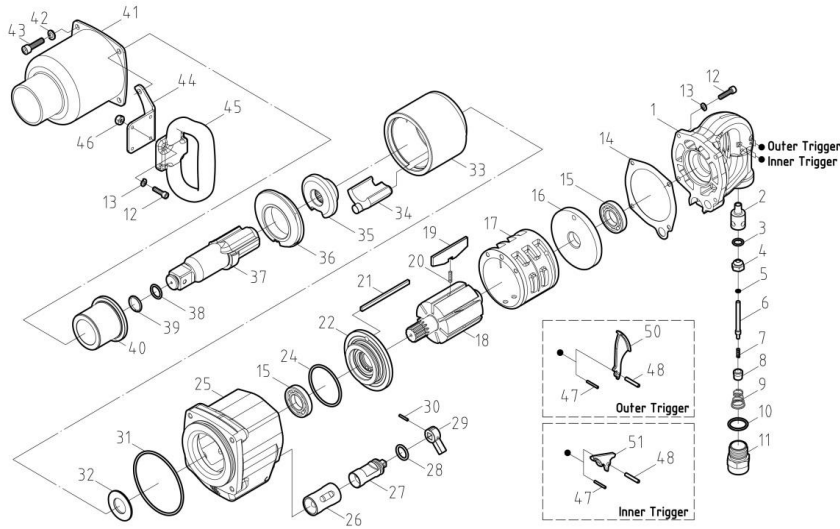


ZIW1075 1" IMPACT WRENCH



TECHNICAL DATA

Square Drive	inch(mm)	:	1"(25)
Free Speed	R.P.M.	:	3500
Max. Torque(15 secs)	ft-lb(NM)	:	2500(3389)
Working torque(5 secs)	ft-lb(NM)	:	2300(3118)
Avg. Air Cons.	cfm(l/min)	:	12(339)
Net Weight	lbs(kgs)	:	31.7(14.4)/35.7(16.2)
Air Inlet Size	inch-NPT/PT	:	1/2"
Impact mechanism		:	Pin Less

PARTS LIST

Index #	Part #	Description	Q'ty	Index #	Part #	Description	Q'ty
1	ZIW1075-1	Handle body	1	30	ZIW1075-30	Spring Pin	1
2	ZIW1075-2	Reverse Valve	1	31	ZIW1075-31	O-Ring	1
3	ZIW1075-3	O-Ring	1	32	ZIW1075-32	Anvil Rear Spacer	1
4	ZIW1075-4	Reverse Valve	1	33	ZIW1075-33	Hammer Cage	1
5	ZIW1075-5	O-Ring	1	34	ZIW1075-34	Hammer	1
6	ZIW1075-6	Pin Valve Rod	1	35	ZIW1075-35	Hammer Cam	1
7	ZIW1075-7	Spring	1	36	ZIW1075-36	Anvil Front Spacer	1
8	ZIW1075-8	Reverse Valve	1	37	ZIW1075-37	Anvil	1
9	ZIW1075-9	Cone Spring	1	38	ZIW1075-38	O-Ring	1
10	ZIW1075-10	O-Ring	1	39	ZIW1075-39	Anvil Collar	1
11	ZIW1075-11	Air Inlet (1/2"-14NPT)	1	40	ZIW1075-40	Bushing	1
12	ZIW1075-12	Screw(8)	8	41	ZIW1075-41	Front Casing	1
13	ZIW1075-13	Spring Washer(8)	8	42	ZIW1075-42	Spring Washer(4)	4
14	ZIW1075-14	Packing	1	43	ZIW1075-43	Screw(4)	4
15	ZIW1075-15	Ball Bearing(2)	2	44	ZIW1075-44	Bolt Holder	1
16	ZIW1075-16	Rear Plate	1	45	ZIW1075-45	Handle	1
17	ZIW1075-17	Cylinder	1	46	ZIW1075-46	Lock Nut(4)	4
18	ZIW1075-18	Rotor	1	Outer Trigger			
19	ZIW1075-19	Blade(7)	7	47	ZIW1075-47	Spring Pin	1
20	ZIW1075-20	Spring(7)	7	48	ZIW1075-48	Spring Pin	1
21	ZIW1075-21	Key	1	50	ZIW1075-50	Trigger	1
22	ZIW1075-22	Front Plate	1	Inner Trigger			
24	ZIW1075-24	O-Ring	1	47	ZIW1075-47	Spring Pin	1
25	ZIW1075-25	Housing	1	48	ZIW1075-48	Spring Pin	1
26	ZIW1075-26	Valve Bushing	1	51	ZIW1075-51	Trigger	1
27	ZIW1075-27	Reverse Valve	1				
28	ZIW1075-28	O-Ring	1				
29	ZIW1075-29	Reverse Lever	1				