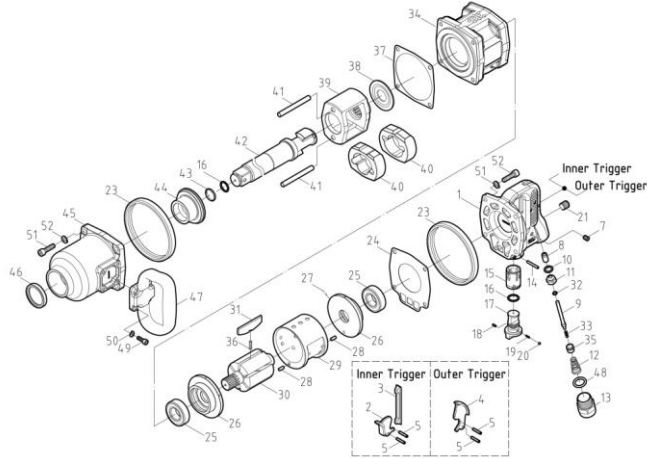


ZIW1038 1" IMPACT WRENCH



TECHNICAL DATA

| | | | |
|------------------------|-------------|---|-------------|
| Square Drive | inch(mm) | : | 1"(25) |
| Free Speed | R.P.M. | : | 3600 |
| Max. Torque(15 secs) | ft-lb(NM) | : | 2200(2982) |
| Working torque(5 secs) | ft-lb(NM) | : | 1800(2440) |
| Avg. Air Cons. | cfm(l/min) | : | 11(311) |
| Net Weight | lbs(kgs) | : | 23.6(10.7) |
| Air Inlet Size | inch-NPT/PT | : | 1/2" |
| Impact mechanism | | : | Twin Hammer |

PARTS LIST

| Index # | Part # | Description | Q'ty | Index # | Part # | Description | Q'ty |
|---------|------------|------------------------|------|----------------------|------------|-------------------|------|
| 1 | ZIW1038-01 | Handle body | 1 | 34 | ZIW1038-34 | Housing | 1 |
| 7 | ZIW1038-07 | Pipe Plug | 1 | 35 | ZIW1038-35 | Reverse Valve | 1 |
| 8 | ZIW1038-08 | Valve Bushing | 1 | 36 | ZIW1038-36 | Spring(6) | 6 |
| 9 | ZIW1038-09 | Pin Valve Rod | 1 | 37 | ZIW1038-37 | Packing | 1 |
| 10 | ZIW1038-10 | O-Ring | 1 | 38 | ZIW1038-38 | Anvil Rear Spacer | 1 |
| 11 | ZIW1038-11 | Reverse Valve | 1 | 39 | ZIW1038-39 | Hammer Cage | 1 |
| 12 | ZIW1038-12 | Cone Spring | 1 | 40 | ZIW1038-40 | Hammer(2) | 2 |
| 13 | ZIW1038-13 | Air Inlet (1/2"-14NPT) | 1 | 41 | ZIW1038-41 | Hammer Pin(2) | 2 |
| | | Air Inlet (1/2"-14PT) | 1 | 42 | ZIW1038-42 | Anvil | 1 |
| 14 | ZIW1038-14 | Spring Pin | 1 | 43 | ZIW1038-43 | Anvil Collar | 1 |
| 15 | ZIW1038-15 | Reverse Valve | 1 | 44 | ZIW1038-44 | Bushing | 1 |
| 16 | ZIW1038-16 | O-Ring(2) | 2 | 45 | ZIW1038-45 | Front Casing | 1 |
| 17 | ZIW1038-17 | Regulator Dial | 1 | 46 | ZIW1038-46 | Oil Seal | 1 |
| 18 | ZIW1038-18 | Spring Pin | 1 | 47 | ZIW1038-47 | Handle | 1 |
| 19 | ZIW1038-19 | Spring | 1 | 48 | ZIW1038-48 | O-Ring | 1 |
| 20 | ZIW1038-20 | Steel Ball | 1 | 49 | ZIW1038-49 | Screw(4) | 4 |
| 21 | ZIW1038-21 | Screw | 1 | 50 | ZIW1038-50 | Spring Washer(4) | 4 |
| 23 | ZIW1038-23 | Band(2) | 2 | 51 | ZIW1038-51 | Spring Washer(8) | 8 |
| 24 | ZIW1038-24 | Packing | 1 | 52 | ZIW1038-52 | Screw(8) | 8 |
| 25 | ZIW1038-25 | Ball Bearing(2) | 2 | Inner Trigger | | | |
| 26 | ZIW1038-26 | Front Plate(2) | 2 | 2 | ZIW1038-2 | Trigger | 1 |
| 27 | ZIW1038-27 | Spring Pin | 1 | 3 | ZIW1038-3 | Rubber Protector | 1 |
| 28 | ZIW1038-28 | Spring Pin(2) | 2 | 4 | ZIW1038-4 | Spring Pin(2) | 2 |
| 29 | ZIW1038-29 | Cylinder | 1 | Outer Trigger | | | |
| 30 | ZIW1038-30 | Rotor | 1 | 5 | ZIW1038-5 | Trigger | 1 |
| 31 | ZIW1038-31 | Blade(6) | 6 | 6 | ZIW1038-6 | Spring Pin(2) | 2 |
| 32 | ZIW1038-32 | O-Ring | 1 | | | | |
| 33 | ZIW1038-33 | Spring | 1 | | | | |

DATE : 2015.03.04