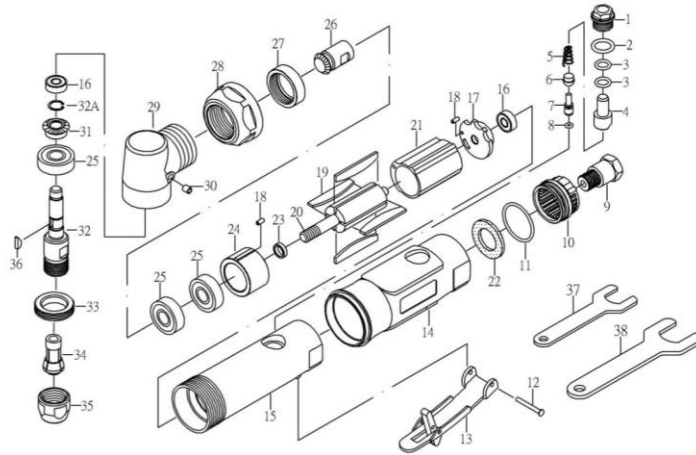


ZDG-236 MINI AIR DIE GRINDER



TECHNICAL DATA

Gollet Size	inch(mm)	: 1/4(6)
Net Weight	lbs(kgs)	: 1.1(0.5)
Length	inch(mm)	: 6.1(155)
RPM	R.P.M.	: 20000
Air Inlet Size	Inch-NPT/PT inch(mm)	: 1/4
Min. Hose Size	cfm	: 3/8(10)
Avg. Air Consumption	lbs(kgs)	: 3

PARTS LIST

Index #	Part #	Description	Q'ty	Index #	Part #	Description	Q'ty
1	ZDG-236-01	SCREW	1	21	ZDG-236-21	CYLINDER	1
2	ZDG-236-02	O-RING (P12)	1	22	ZDG-236-22	CONE MUFFLER	1
3	ZDG-236-03	O-RING (P8)(2)	2	23	ZDG-236-23	BEARING SPACER	1
4	ZDG-236-04	AIR REGULATOR	1	24	ZDG-236-24	FRONT PLATE	1
5	ZDG-236-05	SPRING	1	25	ZDG-236-25	BEARING (608ZZ)(3)	3
6	ZDG-236-06	VALVE STEM BUSHING	1	26	ZDG-236-26	BEVEL GEAR (11T)	1
7	ZDG-236-07	VALVE STEM	1	27	ZDG-236-27	NUT	1
8	ZDG-236-08	O-RING(3.5X1.4)	1	28	ZDG-236-28	CLAMP NUT	1
9	ZDG-236-09	AIR INLET	1	29	ZDG-236-29	ANGLE HOUSING	1
10	ZDG-236-10	EXHAUST SLEEVE	1	30	ZDG-236-30	OIL CUP	1
11	ZDG-236-11	O-RING	1	31	ZDG-236-31	BEVEL GEAR (14T)	1
12	ZDG-236-12	PIN	1	32	ZDG-236-32	SHAFT	1
13	ZDG-236-13	LEVER	1	32A	ZDG-236-32A	SNAP RING	1
14	ZDG-236-14	PROTECTING RUBBER	1	33	ZDG-236-33	CLAMP NUT	1
15	ZDG-236-15	HOUSING	1	34	ZDG-236-34	COLLET	1
16	ZDG-236-16	BEARING (696ZZ)(2)	2	35	ZDG-236-35	COLLET NUT	1
17	ZDG-236-17	REAR PLATE	1	36	ZDG-236-36	KEY	1
18	ZDG-236-18	PIN(2)	2	37	ZDG-236-37	STOP SPANNER 14M/M	1
19	ZDG-236-19	ROTOR BLADE(4)	4	38	ZDG-236-38	STOP SPANNER 19M/M	1
20	ZDG-236-20	ROTOR	1				

DATE : 2015.03.04