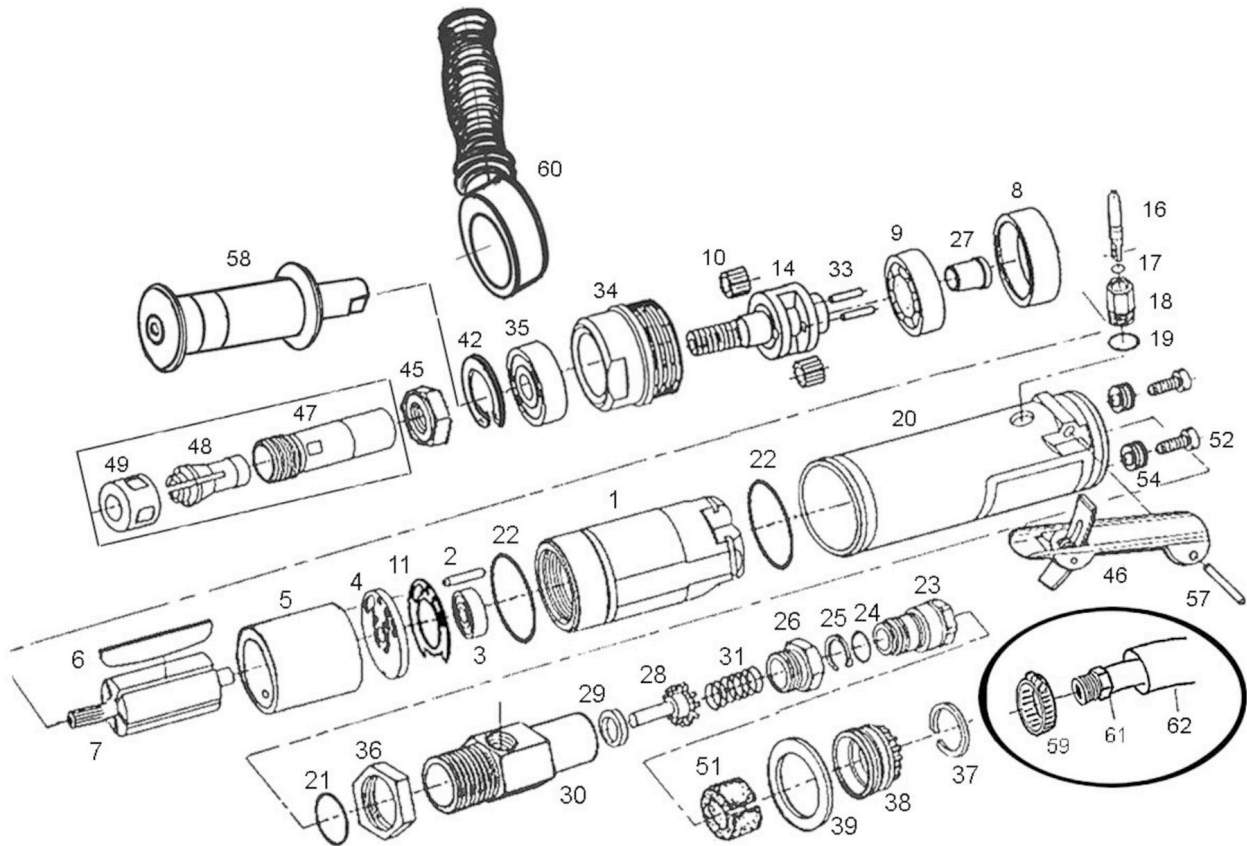


# ZDG-S235 Sander for expandable / flap wheels , brushes



## ZDG-S235 Sander for expandable / flap wheels , brushes

TECHNICAL DATA	Specification	Value
Size of Collet	inch(mm)	1/4(6)
Free Speed	R.P.M	3500
Spindle Thread	inch	1/2-20
Operating Air Pressure	PSI(bar)	90(6.2)
Avg. Air Cons.	cfm(1/min)	5(142)
Net Weight	lbs(kgs)	2(0.92)
Air Inlet Size	inch-NPT/PT	1/4
Min. Hose Size	inch(mm)	3/8(10)

### PARTS LIST

Index #	Part #	Description	Index #	Part #	Description
1.	ZDG-S235-01	Motor Housing	31.	ZDG-S235-31	Spring
2.	ZDG-S235-02	Pin	33.	ZDG-S235-33	Planet Pin (2)
3.	ZDG-S235-03	Ball Bearing	34.	ZDG-S235-34	Clamp Nut (42T)
4.	ZDG-S235-04	Rear Plate	35.	ZDG-S235-35	Ball Bearing
5.	ZDG-S235-05	Cylinder	36.	ZDG-S235-36	Nut
6.	ZDG-S235-06	Rotor Blade (5)	37.	ZDG-S235-37	Retainer Ring
7.	ZDG-S235-07	Rotor	38.	ZDG-S235-38	Exhaust Nozzle
8.	ZDG-S235-08	Front Plate	39.	ZDG-S235-39	Washer
9.	ZDG-S235-09	Ball Bearing	42.	ZDG-S235-42	Retainer Ring
10.	ZDG-S235-10	Planet Gear (14T) (2)	45.	ZDG-S235-45	Nut
11.	ZDG-S235-11	Motor Gasket	46.	ZDG-S235-46	Safety Lever
12.	ZDG-S235-14	Planet Cage (42-14T)	51.	ZDG-S235-51	Muffler
16.	ZDG-S235-16	Valve Stem	52.	ZDG-S235-52	Screw (2)
17.	ZDG-S235-17	O-Ring (P3X1.5)	54.	ZDG-S235-54	Rubber Washer (2)
18.	ZDG-S235-18	Throttle Bushing	57.	ZDG-S235-57	Pin (2)
19.	ZDG-S235-19	O-Ring (8.2X1.2)	60.	ZDG-S235-60	Handle
20.	ZDG-S235-20	Sleeve	<b>Collet Ass'y</b>		
21.	ZDG-S235-21	O-Ring (20X1.2)	47.	ZDG-S235-47	Grinder Tube
22.	ZDG-S235-22	O-Ring (2)	48.	ZDG-S235-48	Collet
23.	ZDG-S235-23	Air Inlet Bushing	49.	ZDG-S235-49	Collet Nut
24.	ZDG-S235-24	O-Ring (7.5X1.5)	<b>Optional Accessories</b>		
25.	ZDG-S235-25	Retainer Ring	58.	ZDG-S235-58	Sanding Arbors (1/2"-20)
26.	ZDG-S235-26	Screw Bushing	59.	ZDG-S235-59	Screw Worn Driver Clamp
27.	ZDG-S235-27	Bushing	61.	ZDG-S235-61	Hose
28.	ZDG-S235-28	Tipe Valve	62.	ZDG-S235-62	Muffler Hose
29.	ZDG-S235-29	Washer			
30.	ZDG-S235-30	Valve Tube			