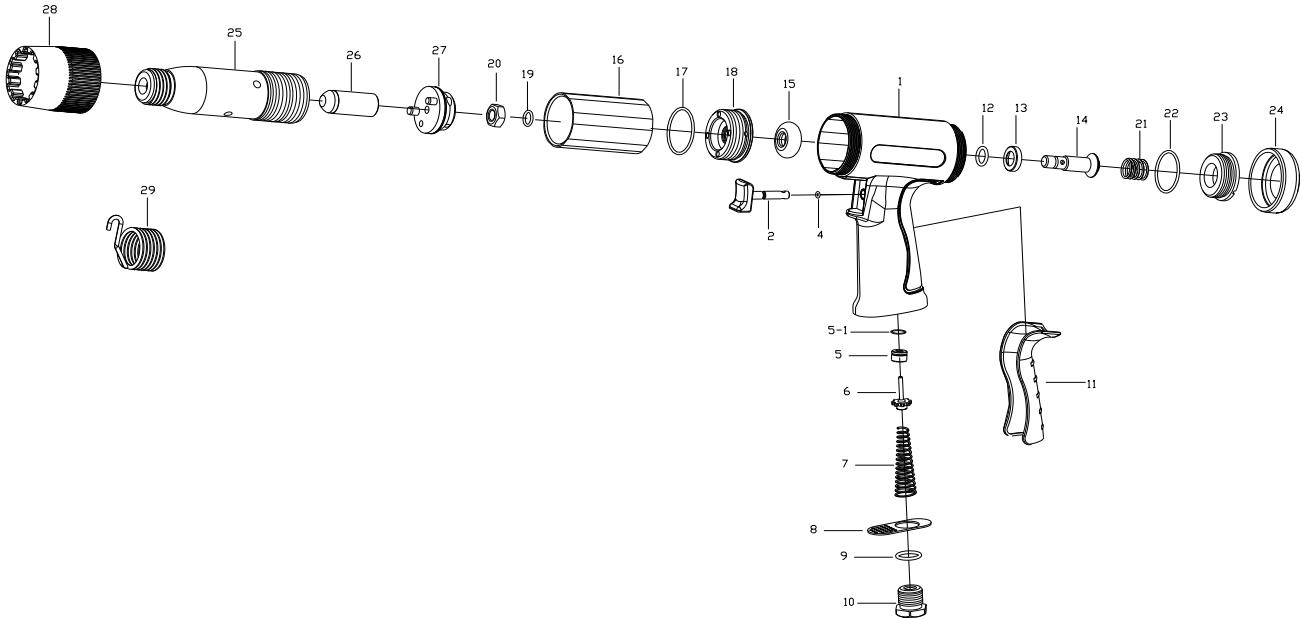


ZAH-393 Shock Reduction Air Hammer



TECHNICAL DATA

Chisel Shank Opening inch(mm)	0.401 (10.2)
Bore Diameter inch(mm)	3/4" (19)
Stroke Length inch(mm)	2-5/8(66)
Operating Air Pressure PSI(bar)	6.2(90)
Blows per Minute @ 90 Psig B.P.M	3,000
Avg. Air Consumption @ 90 Psig cfm(1/min)	4.95(140)
Tool Weight lbs(kgs)	4(1.8)
Min. Hose Size inch(mm)	3/8(10)
Air Inlet Size inch-NPT/PT	1/4" NPTF
Vibration m/s ²	10

PARTS LIST

Index #	Part #	Description	Q'ty	Index #	Part #	Description	Q'ty
1	393101B	Handle	1	16	193415	Inner Housing	1
2	293611	Valve Button	1	17	OR3741	O-Ring	1
*4.	OR0407	O-Ring	1	18	193416	Head-Inner Housing	1
*5.	293222	Value Seat	1	19	OR1014	O-Ring	1
*5-1.	OR1316	O-Ring	1	20	HN1013	Lock Nut	1
6	293203	Actuating Value Ass'y	1	21	315608	Spring	1
7	293204	Spring	1	22	OR3034	O-Ring	1
8	442207	Diffusion Plate	1	23	293104	End Cap	1
9	OR1621	O-Ring	1	24	293103	Rubber Cap	1
10	280221	Air Inlet Bushing (18T)	1	25	193401	Cylinder	1
11	393102	Handle Sleeve	1	26	193402	Piston	1
*12	OR1217	O-Ring	1	27	193300	Valve Ass'y	1
13	193429	Value Seat	1	28	193413	Exhaust Deflector	1
14	193418	Air Inlet Tube	1	28	192901	Retainer Spring	1
15	193426	Bumper	1				

***FOR FREQUENCY REPLACEMENT PARTS**

DATE : 12/01/2014