



PHONE  
(989) 435-7080

3195 LYLE ROAD  
BEAVERTON, MICHIGAN 48612

FAX  
(888) 4 THE WIN

## Howe Oil Tank Maintenance E1599 GM-CCR, E1601 TA2

Part Number	Description	Callout
E164	Tank Mount	A
E165	Heat Shield	B
E2001	Cap for Howe Tanks	C
E1599DET13	Sight Glass Only	D
4078-1	Weld-on Filler Neck	E
E1980	Cylindrical Baffle	F
E1599DET8	Top Screen	G
E1599DET9	Baffle Stand	H
E1599DET5	Post	I
E1599DET10	Top Tank Strap	J
E1599DET11	Bottom Tank Strap	K

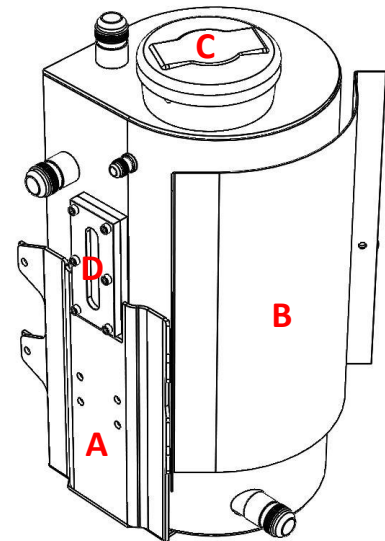


Figure 1

### WARNING!

If your oil tank was shipped to you, make certain to check that all of the internal parts are in place. The parts can dislodge if the tank is shaken vigorously while upside down. If not installed correctly the loose parts could cause a restriction of oil flow and result in loss of power or engine damage.

#### Assembly - As shown in figure 2

1. Install the baffle stand (H) onto the post (I). **Ensure that the stand is fully seated.**
2. Insert the four cylindrical screen baffles (F) loosely on top of the baffle stand.
3. The top screen (G) is hinged in the middle so that it may be folded to fit through the neck (E). Once inside the tank, unfold the screen so it lays flat on top of the baffles.

#### Cleaning - Your oil tank should be drained and cleaned following any engine failure.

1. Remove the top screen (G) by folding it in half.
2. Remove each of the four cylindrical baffles (F).
3. Pull up on the baffle stand (H) to remove.
4. Flush the tank with parts cleaning solvent or mineral spirits and wipe dry.
5. Reassemble in reverse order.

#### Filling the tank

1. Visually verify that the internal components remain in place.
2. Fill the tank with approximately 10 quarts of oil to prime and start the engine.
3. With the engine running, add oil until the level is visible at the top of the bottom hole in the sight glass. This should take around 1 additional quart.

When the engine is off oil runs to the pan and the level in the tank lowers. Filling the tank with the engine off could cause you to overfill. Overfilling can cause oil to be pushed into the vent.

#### Replacing the Sight Glass – glass only pn: E1599DET13.

1. Remove the 6 cap screws with a 5/32" Allen wrench then remove the bezel.
2. Replace the glass and reinstall the bezel. Thread the screws in finger tight.
3. Tighten the screws in a diagonal, alternating pattern. Shown in figure 3. The screws should be tightened to no more than 18 in-lbs.

**Tightening the screws excessively or in the wrong order can cause the glass to crack.**

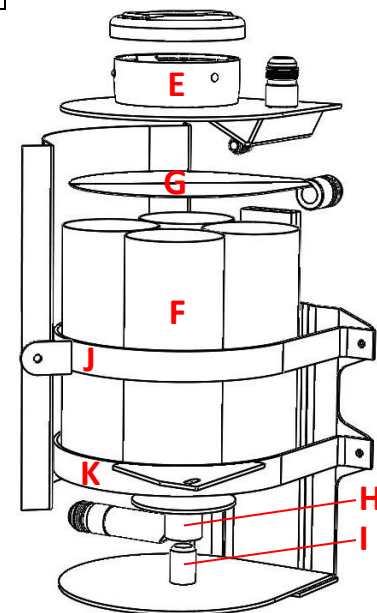


Figure 2

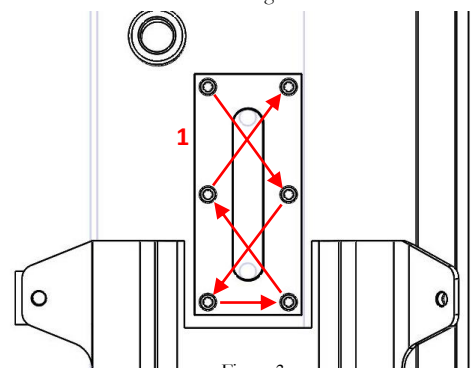


Figure 3