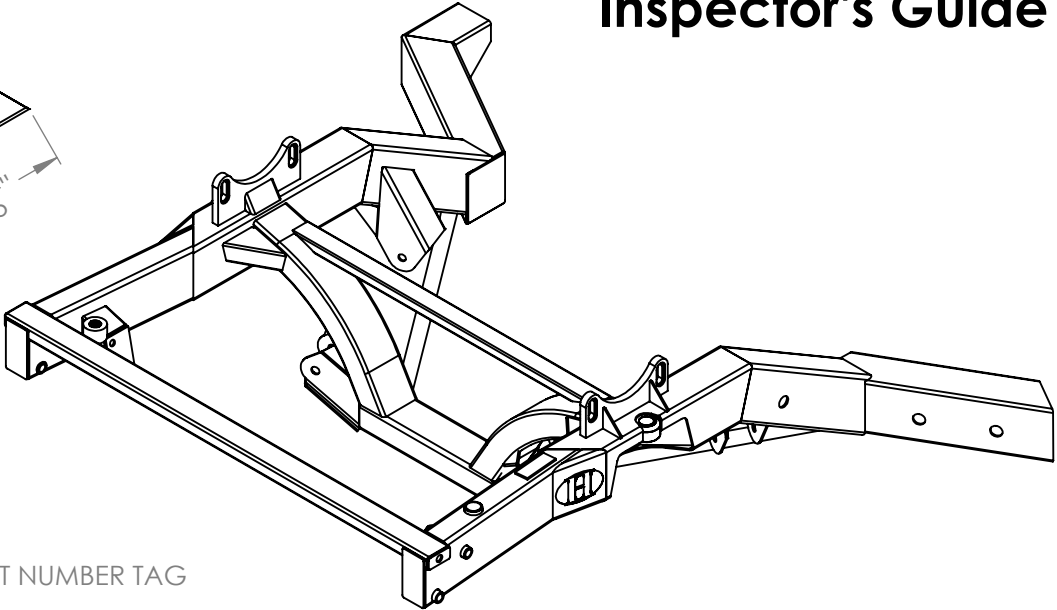
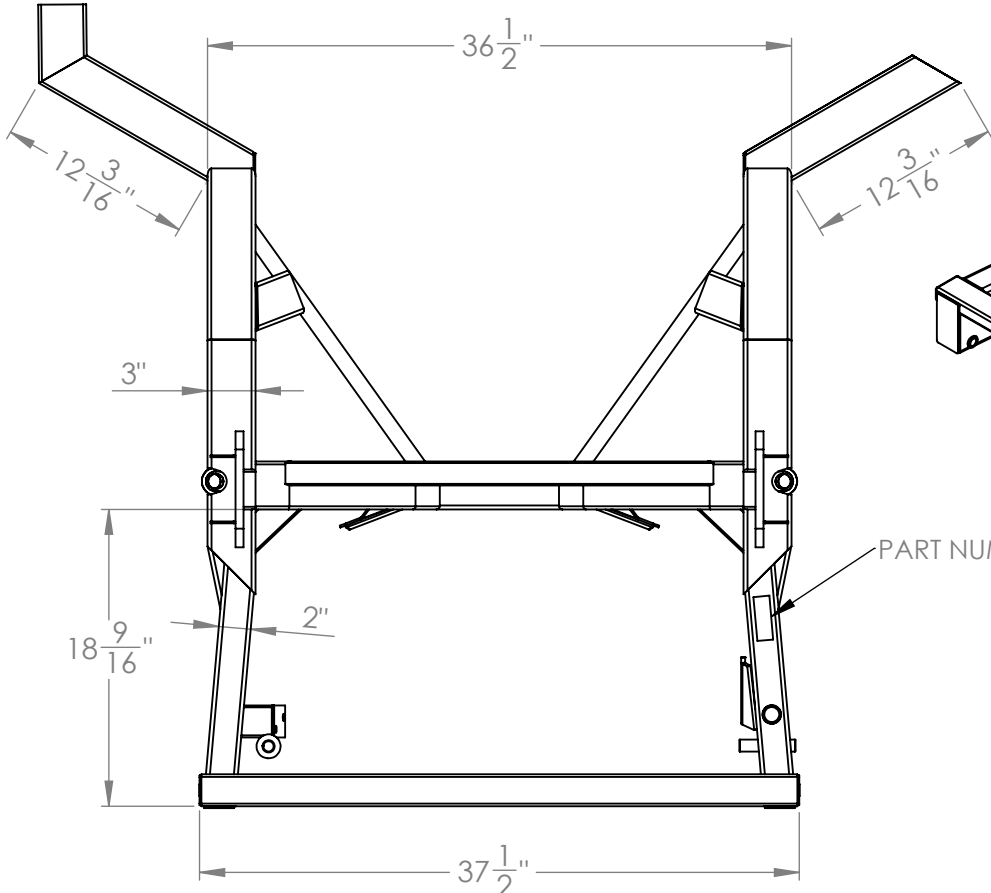
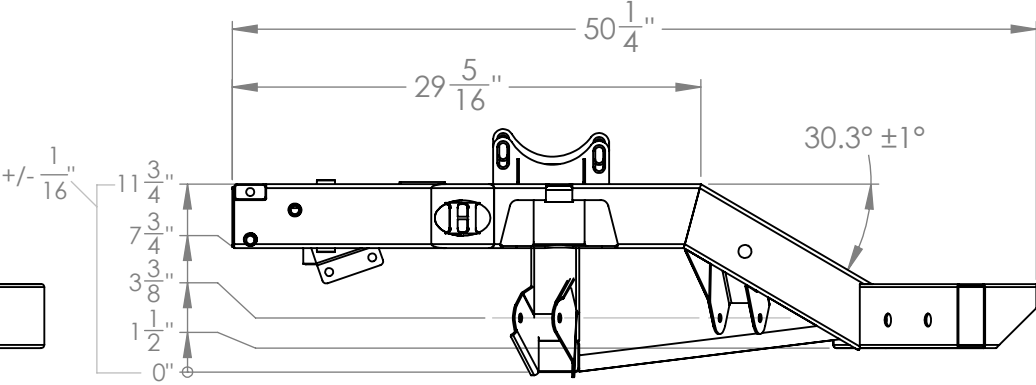
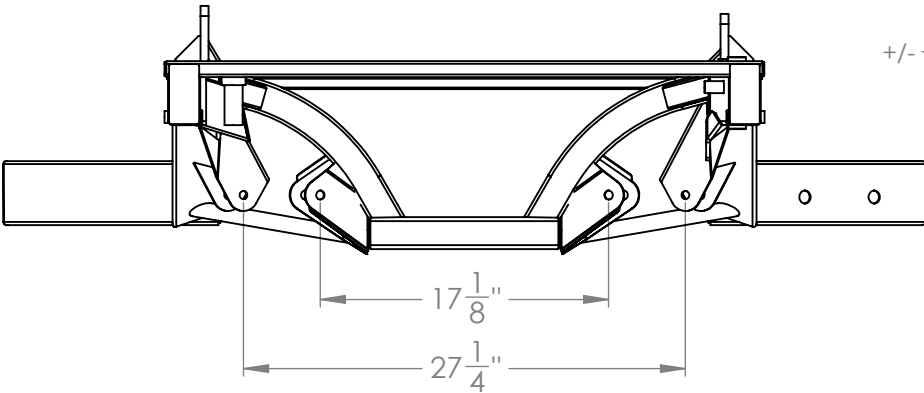


Inspector's Guide



PART NUMBER TAG



+/- $\frac{1}{16}$ "

All tolerances +/- $\frac{1}{8}$ " unless otherwise specified

35810 Fab Chevelle Frame
2/16/21 Scale: 1:12

