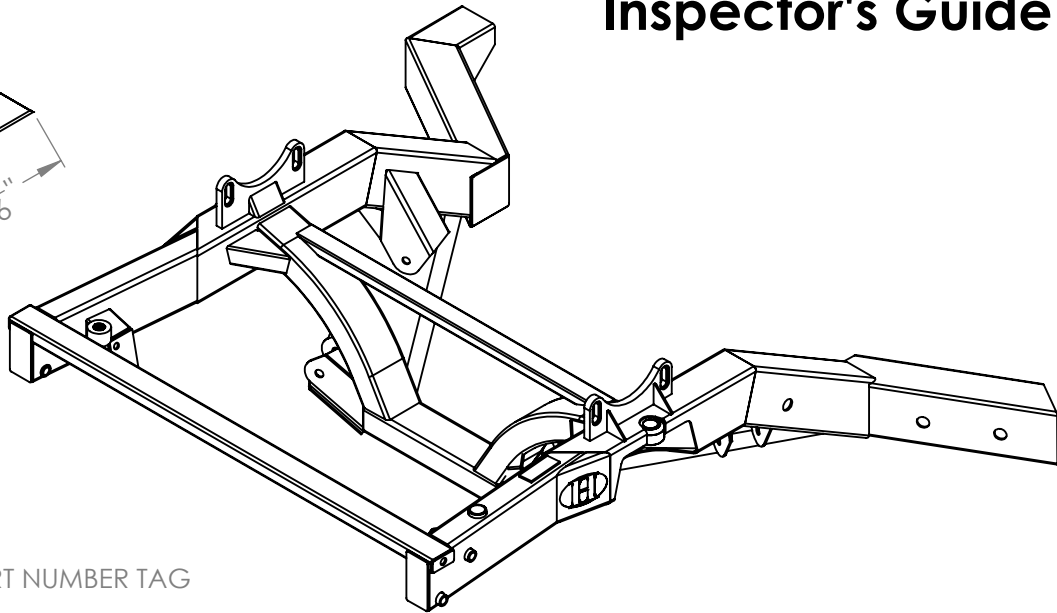
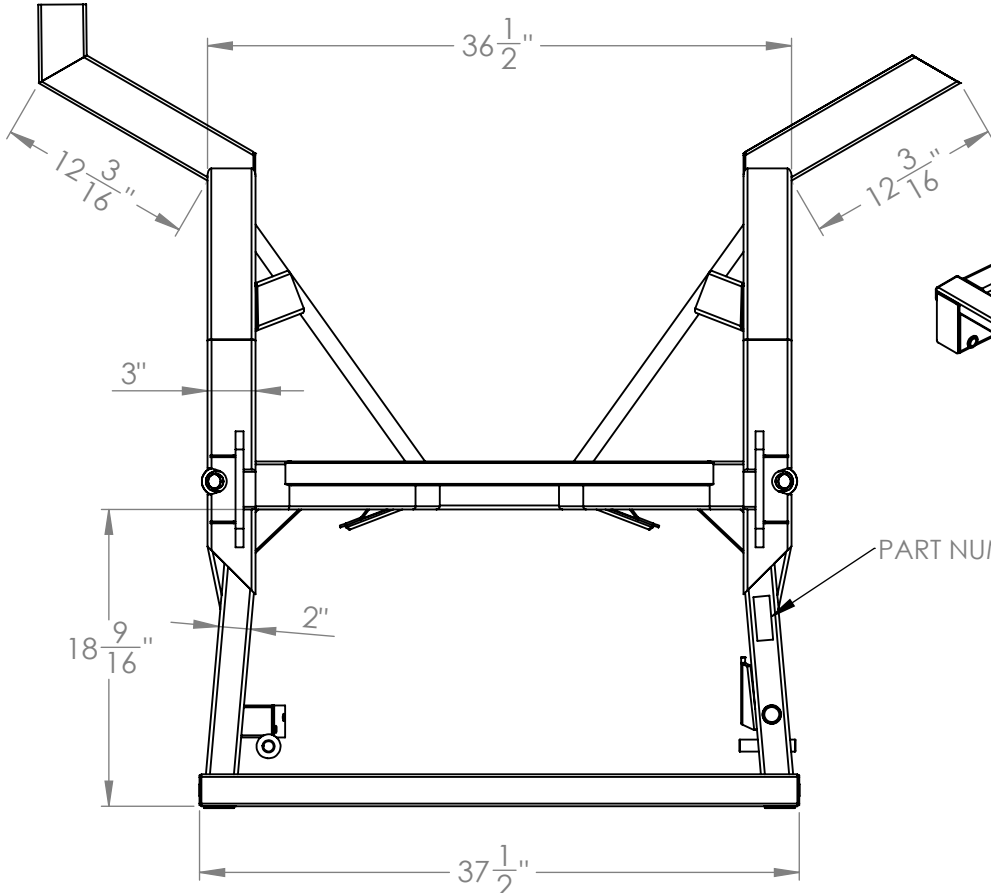
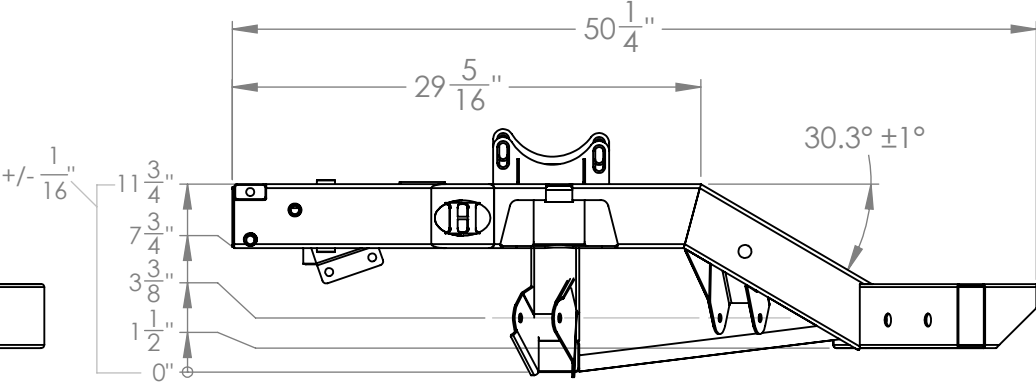
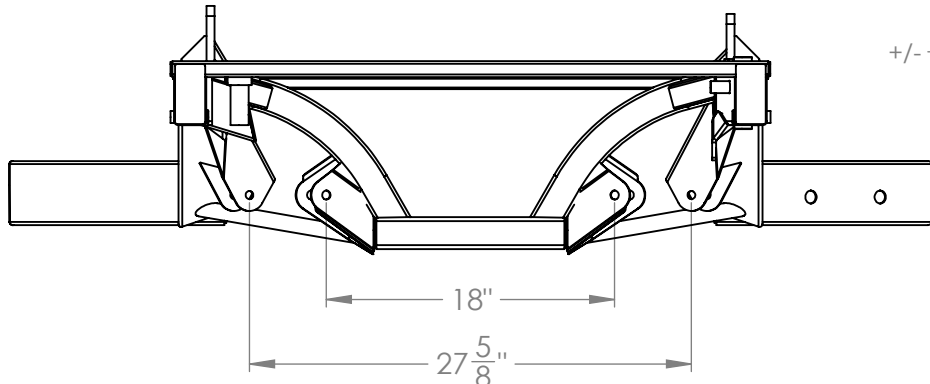


Inspector's Guide



PART NUMBER TAG



All tolerances +/- $\frac{1}{8}$ " unless otherwise specified

35809 Fab Impala Frame
2/16/21 Scale: 1:12

