

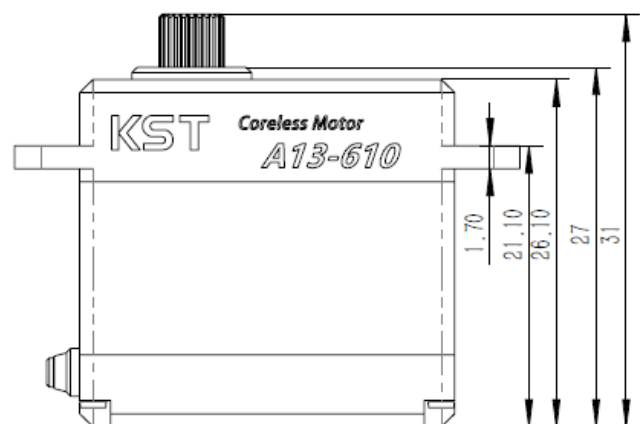
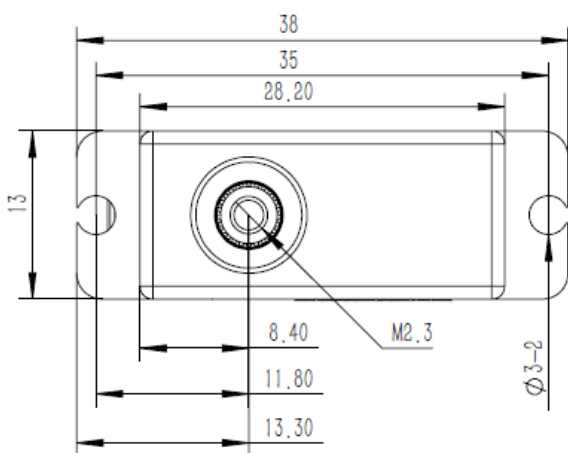
A13-610

Technical Specification



1. Installation Dimensions

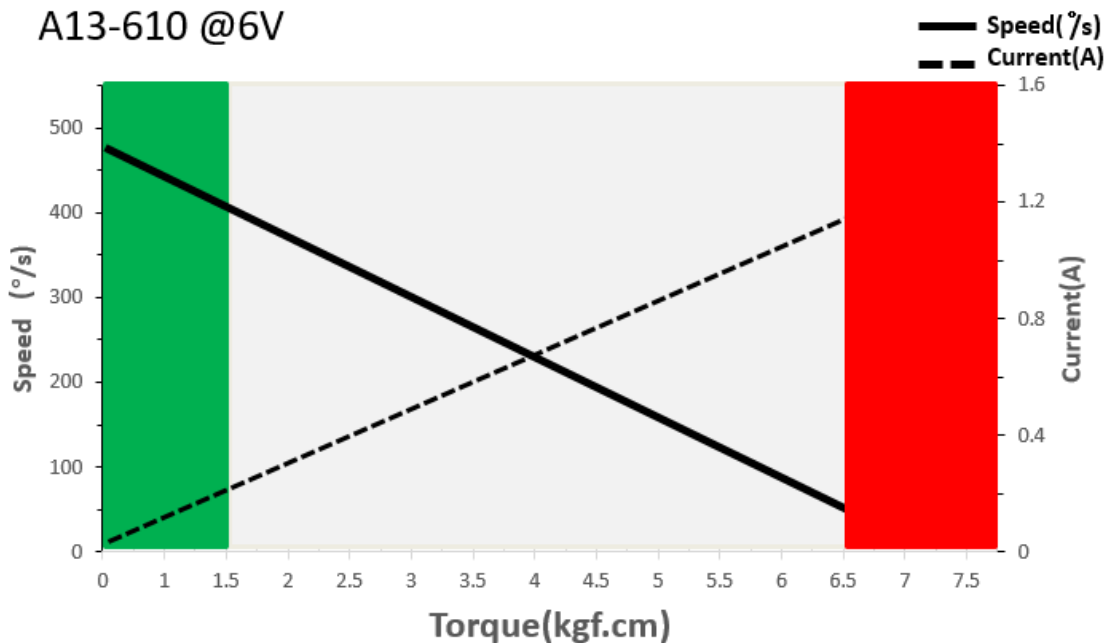
Case Dimensions	28.2mm*13mm*27mm
Weight	24g



2. Operating Data

Operation Voltage(rated)	DC7.4V
Operation Voltage Range	DC4.8V-8.4V
Torque	5.5Kg.cm@4.8V
	6.5Kg.cm@6.0V
	8.0Kg.cm@7.4V
	9.0Kg.cm@8.4V
Speed	0.13sec/60 °@4.8V
	0.12sec/60 °@6.0V
	0.11sec/60 °@7.4V
	0.10sec/60 °@8.4V
Travel Angle	±50° when 1000-2000us
Operating Temperature Range	-10°C……+55°C

3. Performance



Operation Model:

- Continuous
- Short Time<10s Repeat
- <1s,60s Cool down

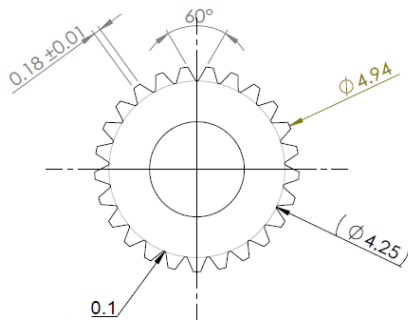
4. PWM Command Signal

Signal Voltage	TTL-Level: HIGH:min.3.3V,max.5.0V TTL-Level: Low:min.0.0V,max.1.5V
Pulse Lengths	800us - 2200us
Pulse Lengths for Position -50°/0°/+50°	1000us/1500us/2000us

5. Materials and protective features

Case Material	Aluminum Alloy
Motor Type	Coreless Motor
Gear Set Material	Hardened Steel
Position Sensor	Potentiometer

6. Output Shaft Spline (25T)



7. Electrical Connection

	Pin Assignment			
	1	Yellow	SIG	Command Signal
	2	Red	+V DC	Supply Voltage
	3	Brown	GND	Supply Ground, Signal Ground

8. Accessories (Options)

N/A