

SR-GPS032 | Bicycle Handlebar Mount for Satellite Radio with Water Resistant Case



GN032-SBH-1
Handlebar Mount with
Single TSwivel Head



GPS-WPCS
Water-resistant
GPS Case



AP012
Adapter Plate for
XM and Sirius Satellite Radio

Package Contents:

- (1) GN032-SBH-1 - Bicycle handlebar mount for satellite radio
- (1) AP012 - 4-Hole AMPS to 2-Way T-slot adapter plate with screws
- (1) GPS-WPCS - Bicycle / Motorcycle handlebar mount with water-resistant GPS case
- (1) Set Screw

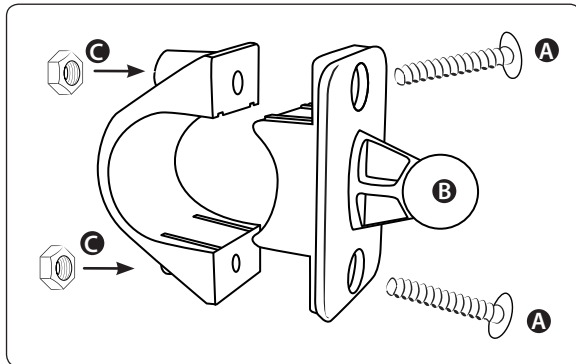
Fits handlebars up to 33mm diameter. Compatible with most straight, drop, trekking, touring, and standard (25.4mm and 26mm) size handlebars. Also for use with golf carts, ATVs, snowmobiles, hang gliders or other apparatus having cylinder-shaped frames or posts.

Optional Adapter Plate Attachment

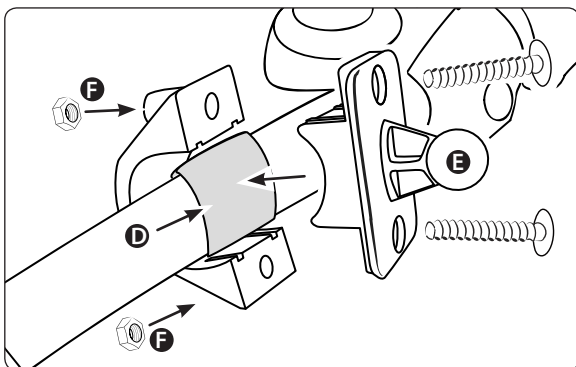
For Sirius or other satellite radio devices without a T-slot, attach the included adapter plate with 4 screws to the back of the device when you wish to use the mount without the water resistant case.

Bicycle Handlebar Mounting

- Step 1. Choose a safe location on the handlebars of your bicycle in which to mount the pedestal.
- Step 2. Using a screwdriver, remove the two mounting screws (A) in order to release the ball plate and swivel head (B) so the mount can be placed around the handlebars. Ensure the screw nuts (C) are not lost when loosening the screws.

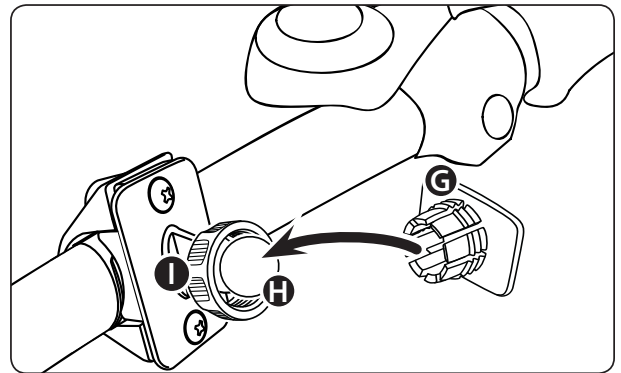


- Step 3. Wrap the rubber rings (D) around the handlebar and reassemble the ball plate and swivel head (E) around the rubber rings. Secure the mount assembly by using the screwdriver to retighten the two mounting screws into the screw nuts (F) through the screw holes.



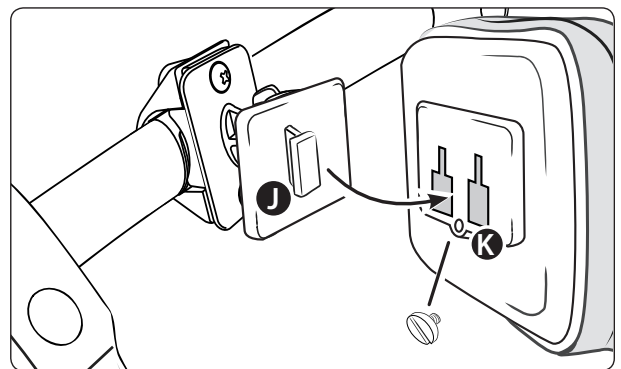
Connect Swivel Ball Head and Bungee Plate to Pedestal

- Step 5. Snap the single-T swivel ball head (G) onto the handlebar mount ball (H). Adjust the angle as needed and screw the threaded tightening ring (I) onto the adapter plate until the plate is securely held in place.



Water Resistant Case Attachment

- Step 1. Attach the water resistant case on to the bike mount by inserting the T-tab (J) on the head into one of the T-slots (K) on the back of the case. Adjust the angle and rotation of the head by tightening the swivel-tightening ring. Insert the set screw into the set screw hole and tighten to prevent the case from slipping off while in motion.



! Safety Precautions

Do not reposition the pedestal while cycling or driving. Arkon Resources, Inc. does not promote the adjustment of mobile devices except when the bicycle or vehicle is safely parked or stopped.

Arkon is not responsible for any damages caused to your bicycle, your device, or yourself due to the installation or use of this product.

ARKON
RESOURCES INC. *The Mobile Mounting Specialists™*

Consumer Hotline:

USA (800) 841-0884

INT'L (626) 254-9005

Monday - Friday 9 am - 5 pm, PST

www.arkon.com

Arcadia, CA 91006 USA

Designed in USA | Made in Taiwan and China

© Copyright 2011 Arkon Resources, Inc.