

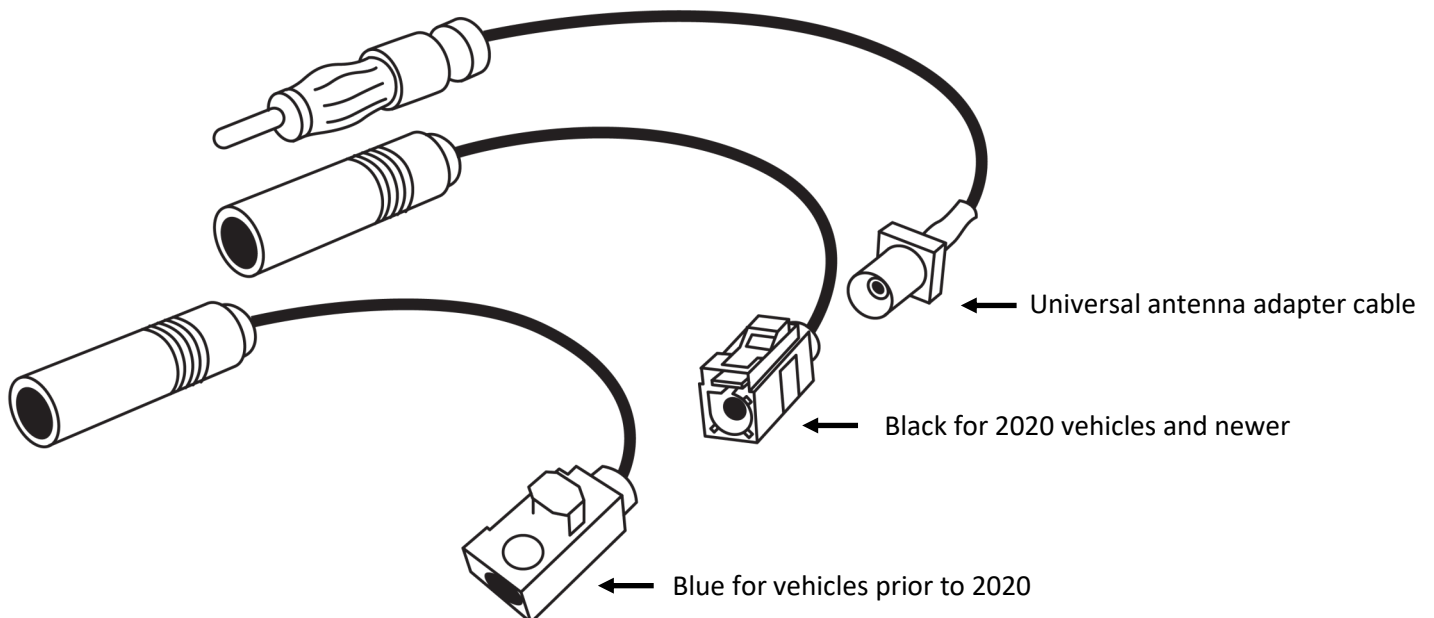
Before getting started locate the best place to install the receiver, where to connect to power and the best to install the antenna. The diagrams used in this instruction sheet reference a 2019 Polaris® Turbo S. It is important to note that your installation may be different from what is pictured in the instructions. ***It is recommended to disconnect all vehicle power before starting the installation.***

**Included in the kit are the following parts:**

- (1) SiriusXM Radio UTV Antenna
- (1) Hardwired Power Adapter
- (1) SXVD1 SiriusXM Receiver Dock
- (1) AM / FM Antenna Adapter (for Ride Command® and other UTV sound systems)
- (1) FMDA25 Direct Wire Audio Adapter
- (1) Protective Zipper Case for the SiriusXM receiver

## 1) Selecting the Correct Antenna Adapter

Included in the kit are two FAKRA antenna adapters that are used to connect the **FMDA25** to the Ride Command® antenna system. For vehicles prior to 2020 use the blue colored adapter. For vehicles manufactured in 2020 and newer use the cable with the black FAKRA connector.

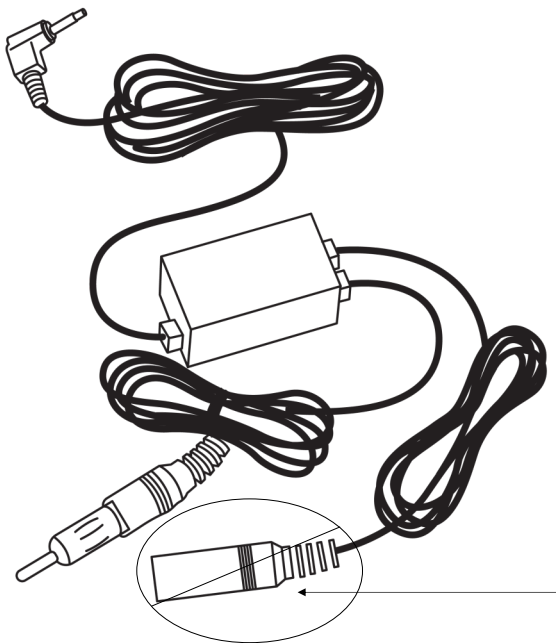
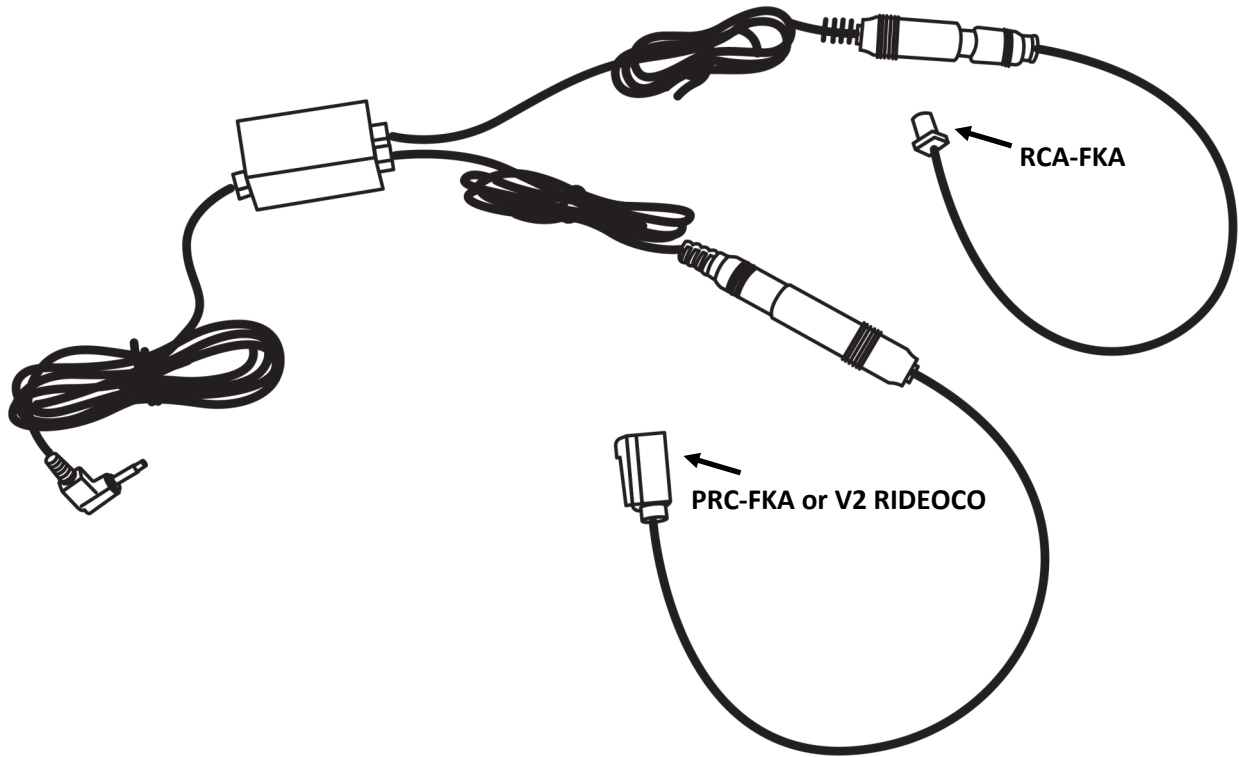


**Please Note:** An additional installation option is via AUX cable. Locate the AUX port located on the dock. Use an auxiliary cable to connect the dock to your sound system.

## 2) Connecting Adapters to FMDA25

If your vehicle has an AM/FM antenna you can still use the antenna with the **FMDA25**. The **FMDA25** allows the AM/FM signal to pass-thru to the Ride Command® system (or other aftermarket stereo system).

1. Connect the **RCA-FKA** adapter cable into the female socket on the TO VEHICLE FM ANTENNA port on the **FMDA25**
2. Connect the **PRC-FKA** (or **V2 RIDEKO** per step 1) to the TO VEHICLE FM RADIO port on the **FMDA25**

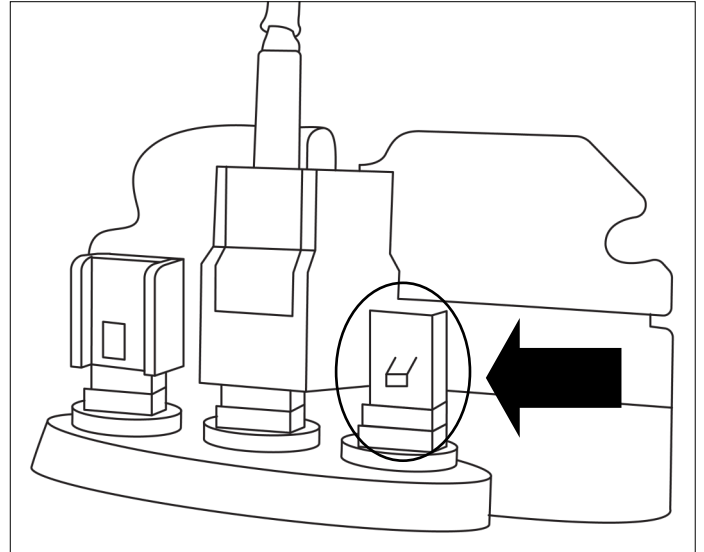
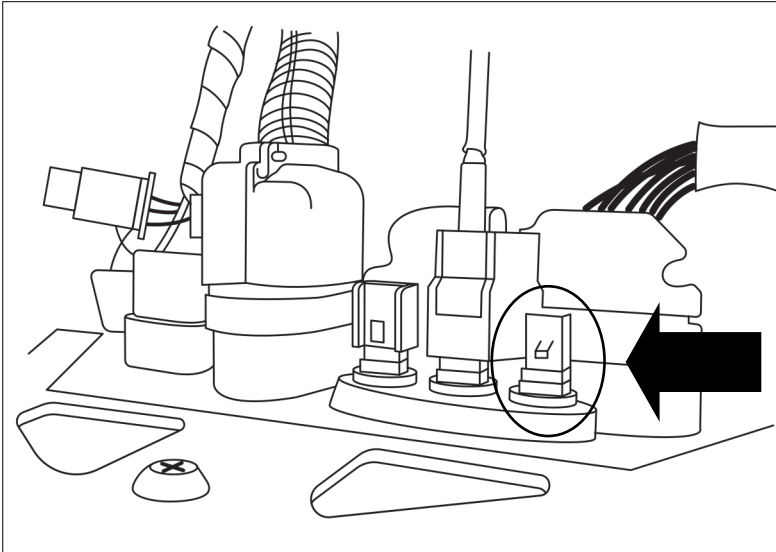


### Installation without AM/FM Antenna

If there is no AM/FM antenna installed in the vehicle the **RCA-FKA** antenna adapter is not needed and the port labeled TO VEHICLE FM ANTENNA should be left open.

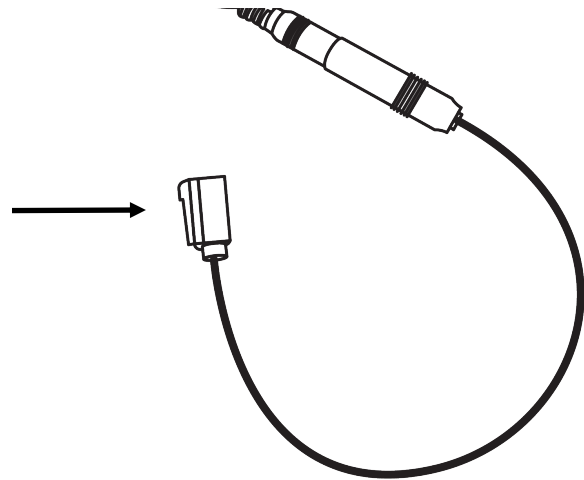
### 3) Locate the RIDE COMMAND® AM/FM Antenna Port

1. Locate the AM / FM antenna connector in your UTV. The color and location may vary based on the year and model of your vehicle. In our example it is the connect on the right of the connection cluster shown below.

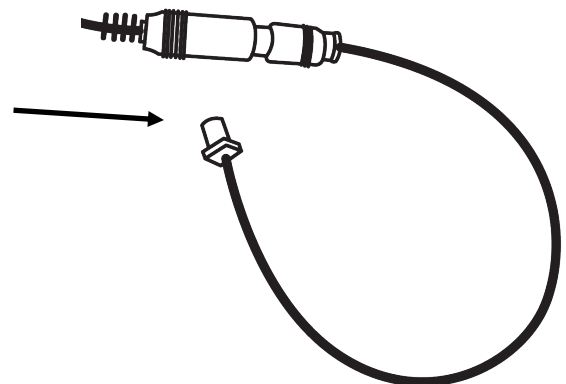


### 4) Connect the FMDA25 to the Vehicle AM/FM Antenna Port

Plug the connection from the **FMDA25** labeled "TO VEHICLE FM RADIO" into the RideCommand® Antenna port. Make sure the connector is pushed all the way down and the FAKRA connectors snaps in.

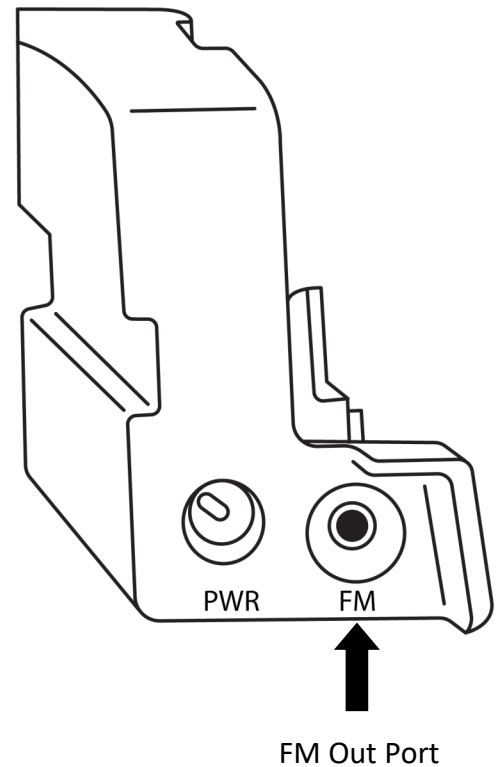
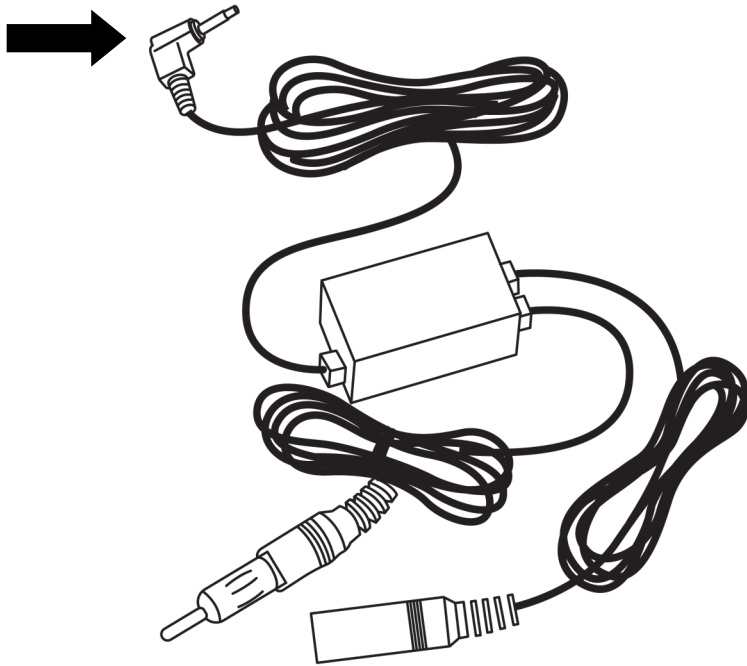


If the vehicle has an AM/FM antenna connect the aqua colored connector on the port labeled "TO VEHICLE FM RADIO". Make sure the connector is pushed all the way down and the FAKRA connectors snaps in.



## Step 5) Connect the Audio Cables to the SiriusXM Dock

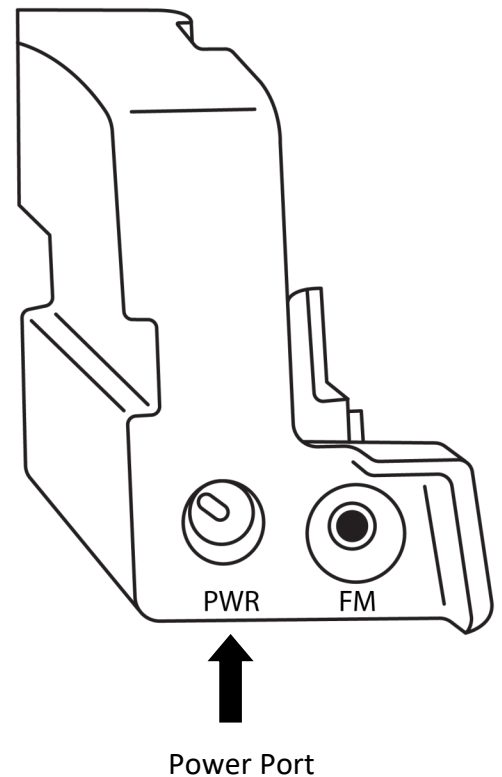
On the **FMDA25** locate the audio cable labeled "**TO SIRIUS RADIO**" and connect the cable into the FM Port on the docking cradle. Shown by the arrows in the pictures below.



## Step 6) Connecting Power

Included in the package is a hardwired power adapter. Please refer to the attached instruction sheet for the 5V-HPK hardwired power adapter.

Connect the power adapter to the power port on the docking cradle (PWR). If using the hardwired power adapter please reference the installation instructions provided in the packaging.



## 7) SiriusXM Radio Antenna Installation

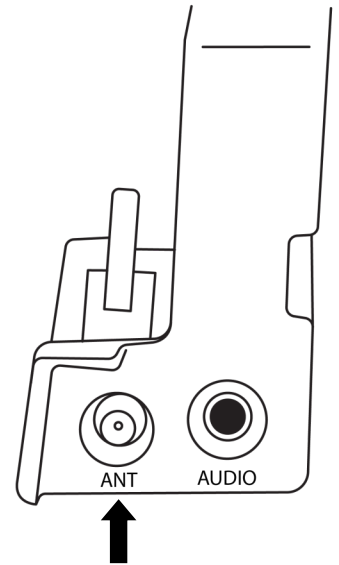
Once you have the audio and power connected it's time to install the SiriusXM Radio antenna.

It is recommended to select a location on your UTV that will allow the antenna to have maximum clearance from a roof or other objects. Please refer to the installation instructions packaged with the antenna included in the kit.

## 8) Connection the Antenna to the Cradle

1. Run the antenna cable from the antenna either inside the roll cage pipe tubing or along the outside securing the antenna cable with cable ties (not supplied). Be sure not to over tighten the cable ties as the stress could cause damage to the antenna wire.
2. Bring the antenna connection to the desired location (dry box is recommended) to the SiriusXM receiver. It is recommended to leave some slack in the cable.
3. Connect the antenna wire to the antenna port (ANT) on the docking cradle.

If additional cable is required to complete the installation antenna extension model SBRGT-5 is recommended.

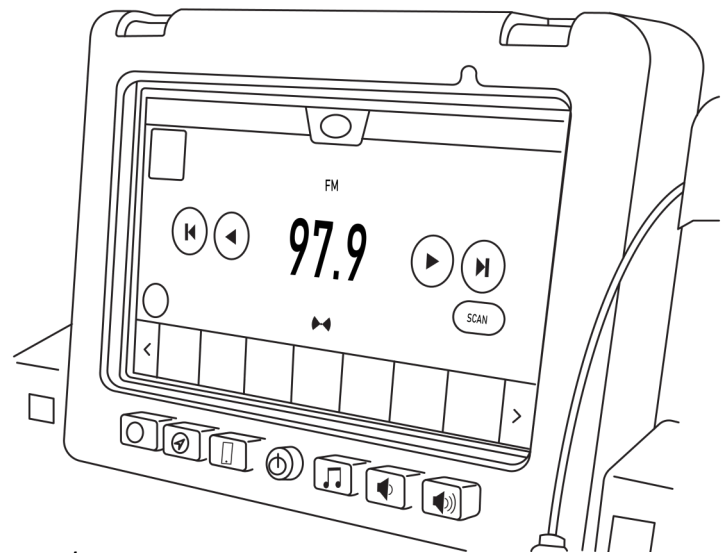


## 9) Power Up and Tune Radio

After connecting the antenna, power, and audio to the receiver docking cradle you will need to tune the Radio to an empty FM radio channel.

To find an empty FM channel in your area visit:

**<https://www.siriusxm.com/frequency>**



*If there is static we recommend to select a different FM channel.*