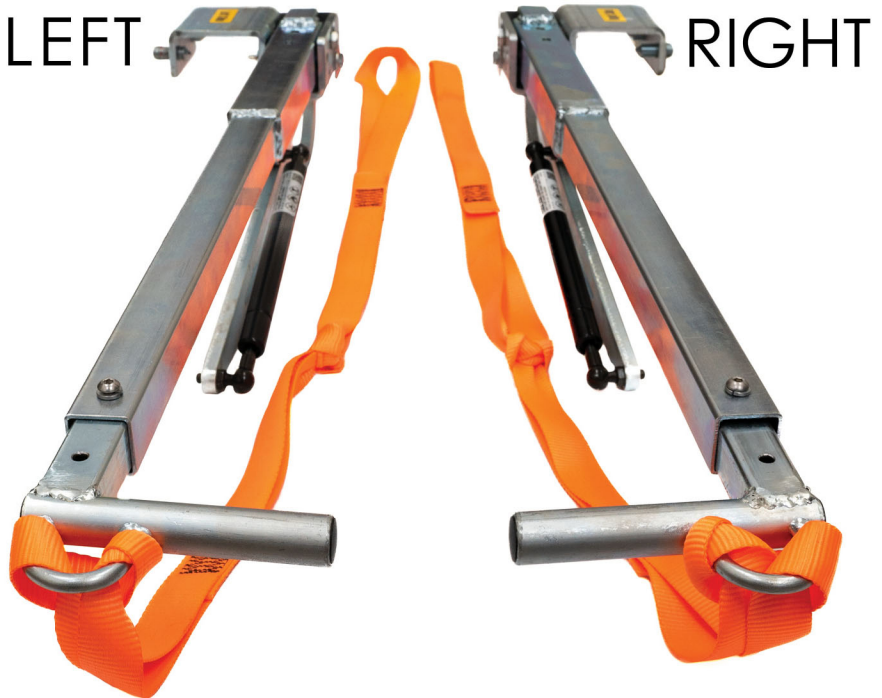


# **KLEEN** OPENER

## INSTALLATION MANUAL FOR MOUNT TYPE 1



SEE INSTALL  
VIDEO

We know you want to jump right  
into installation, but read me first!



@kleentools

# **Read instructions carefully before assembling and installing**

Use caution when handling the Kleen Opener during unpacking, assembly, and installation. Kleen Opener has metal edges that can cause harm.

Misuse of this product can cause breakage  
and/or personal harm.

## **DO NOT USE KLEEN OPENER TO MOVE DUMPSTER**

*For questions or comments please call us at:*

**1 (818) 280 3907**

*or e-mail us at:*

**owner@firmfresh.com**

*Visit us at:*

**kleentools.com**



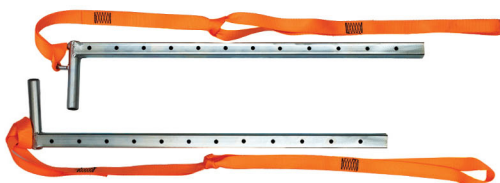
# PACKAGE CONTENTS

Please review the contents of your Kleen Opener to ensure all parts are ready

**[DO NOT REMOVE THE ZIP-TIE UNTIL INSTRUCTED]**



- *LEFT & RIGHT  
Kleen Opener  
arms*



- *2x Adjustment  
channels*  
- *4x Orange  
Pull-down  
straps*



- *2x Red  
Threadlocker*



- *1x Ratchet tool*



- *1x 1/4" Hex  
Drive Socket*



- *2 x Adjustment Channel  
1/4" x 1.5" Long Screws*



- *1x 5/32" Hex  
Drive Socket*



- *2 x Leveling  
1/4" x 0.5" Short Screws*

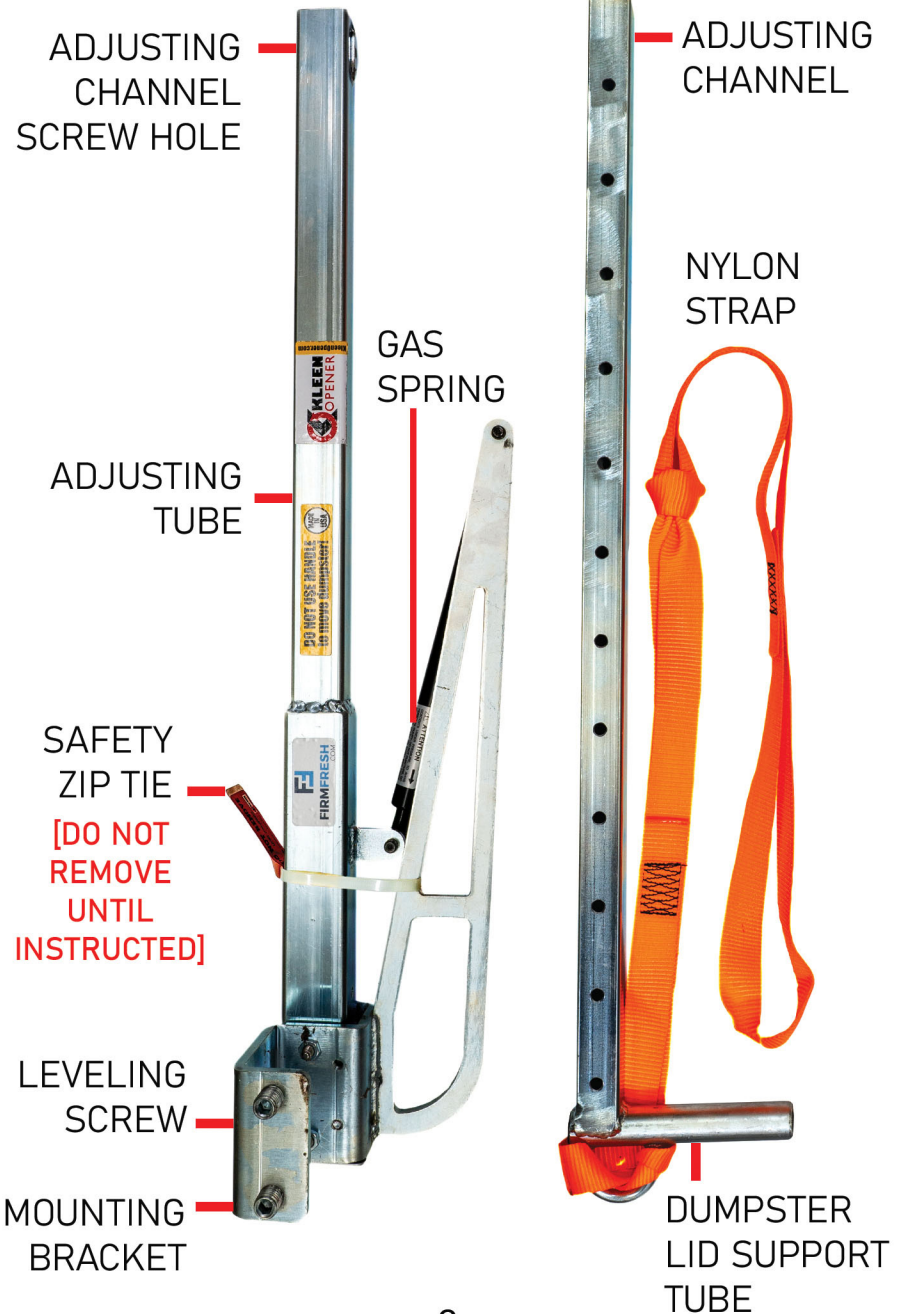


- *2x Adjustment  
Screw Lock Washers*



- *4x Extra cone  
point bolts*

# ANATOMY OF A KLEEN OPENER





# GENERAL INSTALLATION:

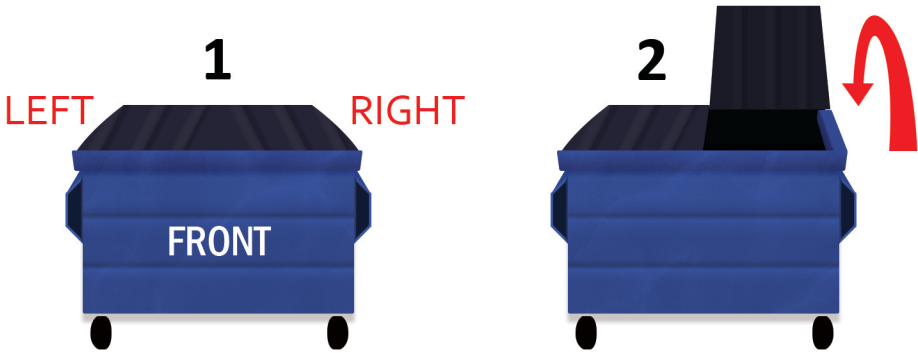
## *Assembling the Arm*

Kit comes with LEFT & RIGHT side assemblies. Prior to installing Kleen Openers on the dumpster, the adjusting channel should be set into the adjusting tube to secure it during mounting.

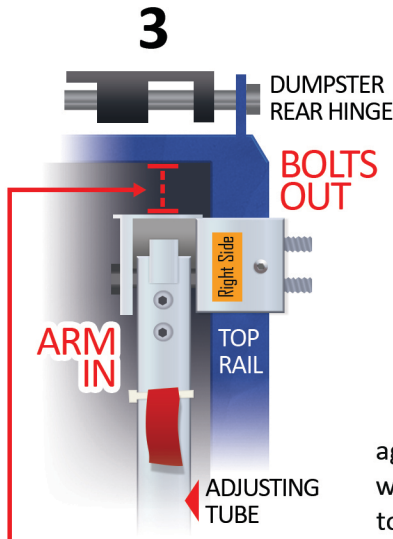




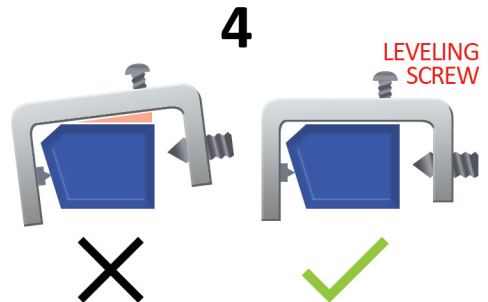
# GENERAL INSTALLATION: *Mounting the Bracket*



Identify your dumpster sides from the front. Lift lid up all the way so it rests on the back of the dumpster.  
Installation is the same for left & right sides.



- 2 yard = 1/2" to 4"
- 3-4 yard = 2 to 4"
- 6-8 yard = 6 to 12"

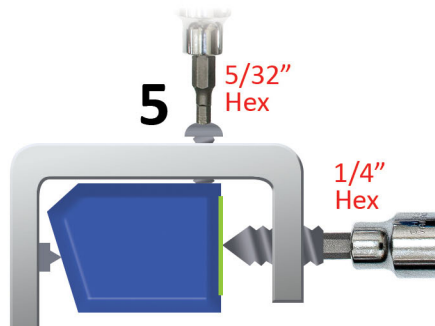


Hold the Kleen Opener Assembly by the Adjusting Tube. Ensure the mounting bracket's inner screws are positioned up against the lower angle of Dumpster's inner wall. Position the mounting bracket as close to level with Top Rail. If Dumpster's Top Rail is damaged or is not level, you can adjust the Top Leveling Screw to adjust the mounting bracket to help level the Mounting Bracket.  
(See Step 5)

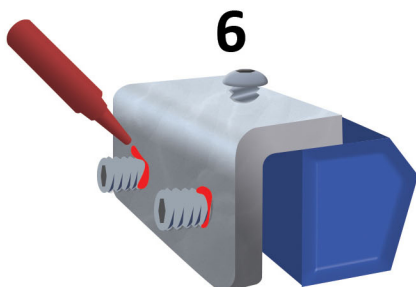


# GENERAL INSTALLATION:

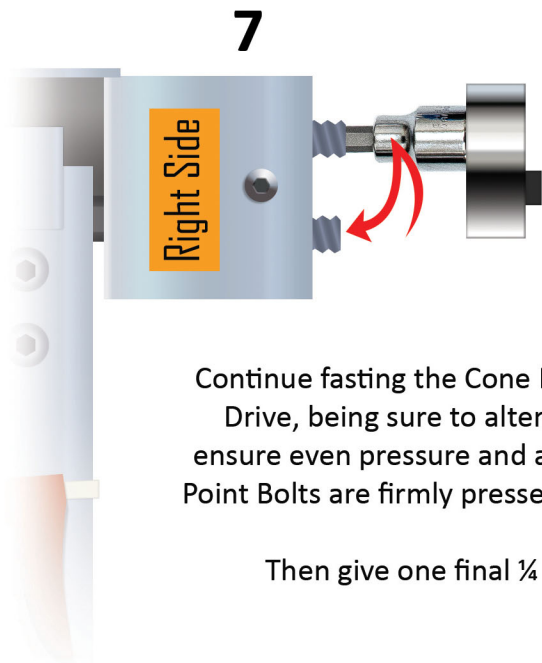
## *Mounting the Bracket*



Lightly fasten cone point bolts with 1/4" Hex Drive until tip is in contact with dumpster's side. If the mounting bracket is not level turn the Leveling Screw clockwise with the 5/32" Hex Drive until Mounting Bracket is level and aligned with Top Rail



Apply Red Threadlocker to about 3 threads on each Cone Point bolt.



Continue fastening the Cone Point Bolts with the 1/4" Hex Drive, being sure to alternate between each bolt to ensure even pressure and alignment. Tighten until Cone Point Bolts are firmly pressed in the side of the Dumpster.

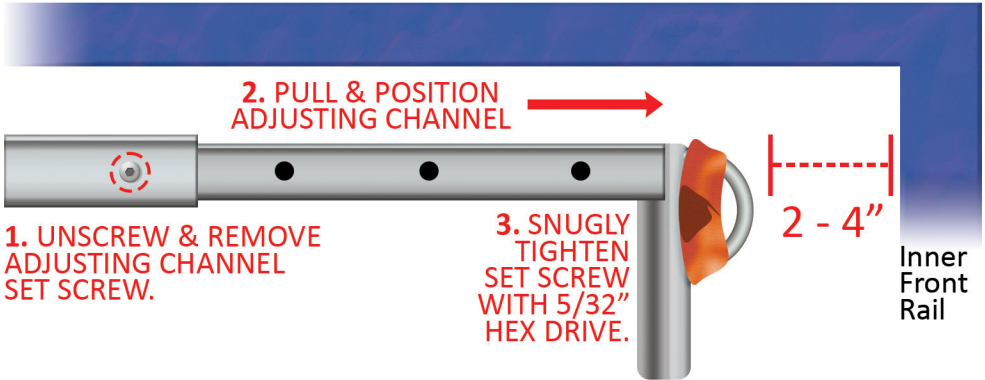
Then give one final 1/4 turn to securely fasten.





# GENERAL INSTALLATION:

## *Adjusting Arm Length*



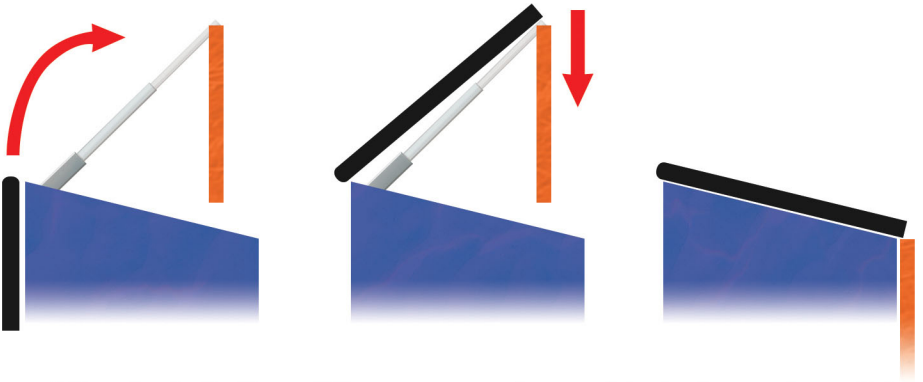
Lift and lay strap over front rail so strap hangs over front of dumpster.

**[YOU CAN NOW SAFELY CUT THE ZIP-TIE]**





# OPERATIONAL GUIDE



After installation, lift arm up using guide below, place lid onto the arm and close using Nylon Strap, like shown below.



To open dumpster lid, lift strap UP 6" to 8" until gas spring takes over and opens remainder of the way.



To close dumpster lid, pull strap TOWARDS you and DOWN until the lid is closed entirely. You can let go of the strap at this point.



# TROUBLESHOOTING

## **I'm missing parts listed in the Package Contents**

*Please refer to Page 1 and contact us immediately!*

## **I think I have the wrong version for my dumpster**

*Please refer to Page 1 and contact us immediately!*

## **My set screw isn't threading into the adjusting tube**

*The alignment between the Adjusting Channel and the Adjusting Tube holes may need slight adjustment to fully engage the ¼" x 1.5" Adjusting Channel Set Screw to fully engage the Adjusting Tube threads.*

## **My bracket doesn't fit my dumpster**

*Ensure the Kleen Opener's Mount Type is the correct for the Dumpster you are installing it on. Please refer to Page 1 and contact us Immediately.*

## **Kleen Opener isn't sitting correctly on my dumpster**

*Ensure bracket is flush with top rail and double check your mount type is appropriate for your dumpster style.*

## **Strap won't reach the front and lid doesn't open easily**

*Check that the Kleen Opener distance from the dumpster rear wall is appropriate for the size of your dumpster. Refer to the distance guide on Page 5.*



# TROUBLESHOOTING

## **Kleen Opener is too loose or crooked after securing bolts**

*Ensure the Mounting Bracket's Cone Point Bolts were tightened enough, and tightening was performed alternating between both bolts for even pressure and alignment. In addition, we provide a ¼" x 0.5" leveling screw on top of the Mounting bracket that may be used to help level the Mounting Bracket if the Top Rail of the Dumpster, where the Kleen Opener Assembly is being mounted, is not level.*

## **Arm doesn't reach 2-4" distance from front**

*Check install depth from back wall is appropriate for your size dumpster. If need be, you can move the Kleen Opener 2" - 8" towards the front of the dumpster.*

## **Kleen Opener wont engage gas spring to open lid**

*If lifting 6" - 8" inches and the gas spring does not engage, your lid may be too heavy for the current spring. Please refer to Page 1 and contact us immediately!*

## **Does the Adjusting Screw located on Top of the Kleen Opener Mounting Bracket always need to be adjusted to level the Kleen Opener Assembly?**

*No, we provided a ¼" x 0.5" leveling screw on top of the Mounting bracket as a new feature to the Kleen Opener Mounting Bracket; as some Dumpsters' Top Rail, where the Kleen Opener is mounted, are damaged or not level. The Adjusting Screw may be used to help level and align the Mounting Bracket.*



SEE OUR INSTALLATION VIDEO



@kleentools