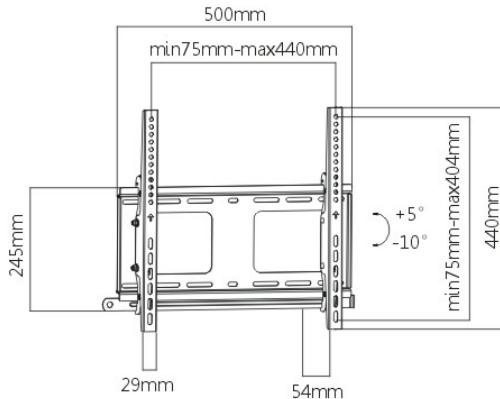


Easy to use and install, the super solid model LP38-44AT is designed to fit most 32"-55" curved & flat panel TVs up to 80kg/176lbs. Adjustable structure provides effortless tilting of viewing angle without the use of tools. Post-installation leveling adjustment ensures TVs are always perfectly positioned after hanging. Open architecture provides superior ventilation and easy access for wiring. Plus, the locking bar firmly secures TVs and provides anti-theft function (require a padlock).



## FEATURES - LP38-44AT

- Weight Capacity: 80kg/176lbs
- Screen Size: 32"-55"
- Profile: 54mm
- VESA Standard: 200x200;400x200;300x300;400x400
- Tilt: -10°~+5°
- Installation: Solid Wall, Double Stud
- Curved TV Available: Yes
- Anti-theft: Yes