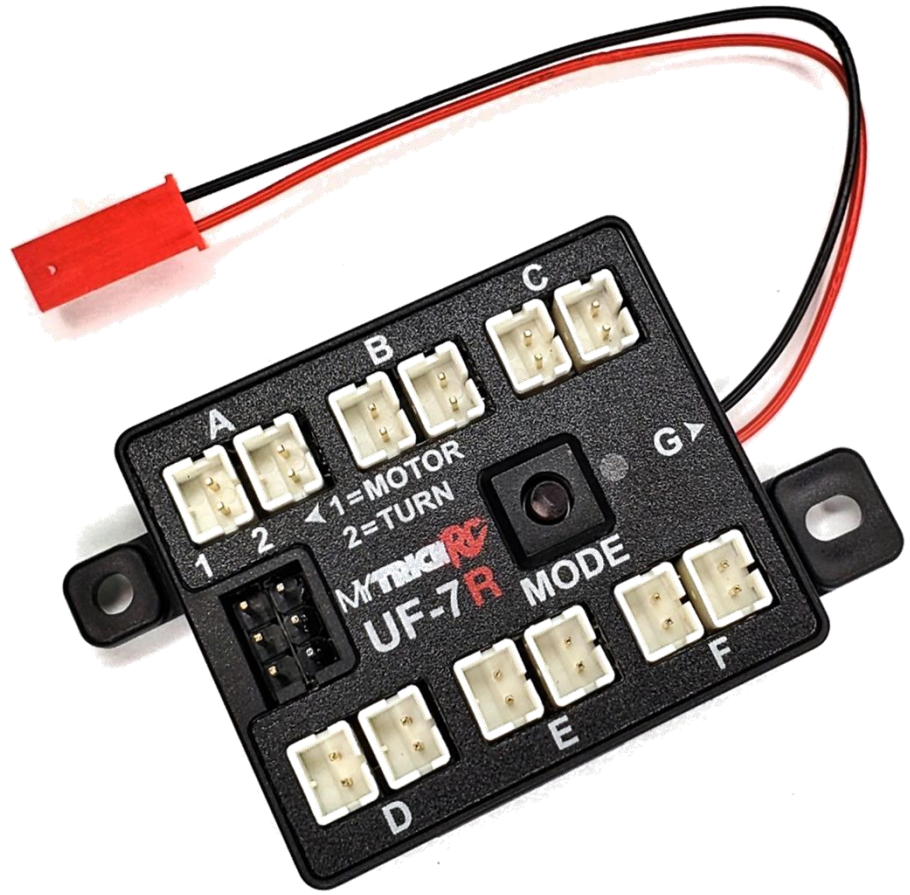




DON'T BE LEFT IN THE DARK



# UF-7R

## LED Light Controller Installation Instructions

UF-7R Rev 1.0B



[www.MyTrickRC.com](http://www.MyTrickRC.com)



## Contents

Pg.2 - LED INSTALLATION

Pg.3 - POWER CONNECTIONS & SETTINGS

Pg.4 - BLINK MODES

Pg.5 - Mode 0 – On / Off

Pg.5 - Mode 1 – Watercraft

Pg.6 - Mode 2 – Trail Truck, Crawler, Basher (vehicles w/ Brake lights)

Pg.7 - Mode 3 – Trail Truck, Crawler, Basher (vehicles w/o Brake lights)

Pg.8 - Mode 4 – Car 1 (turn signals, Off)

Pg.9 - Mode 5 – Car 2 (turn signals, Dim)

Pg.10 - Mode 6 – Car 3 (w/multi-function Tail / Brake /Signal Lights. Signals Off)

Pg.11 - Mode 7 – Car 4 (w/multi-function Tail / Brake /Signal Lights. Signals Dim)

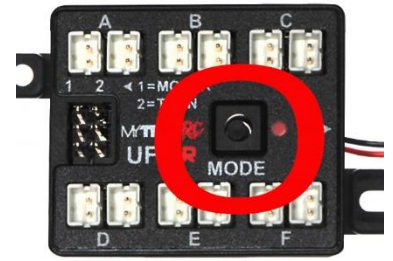
Pg.12 - Mode 8 – Drift (w/backfire)

Pg.13 - Mode 9 – Emergency Vehicle (w/headlights off)

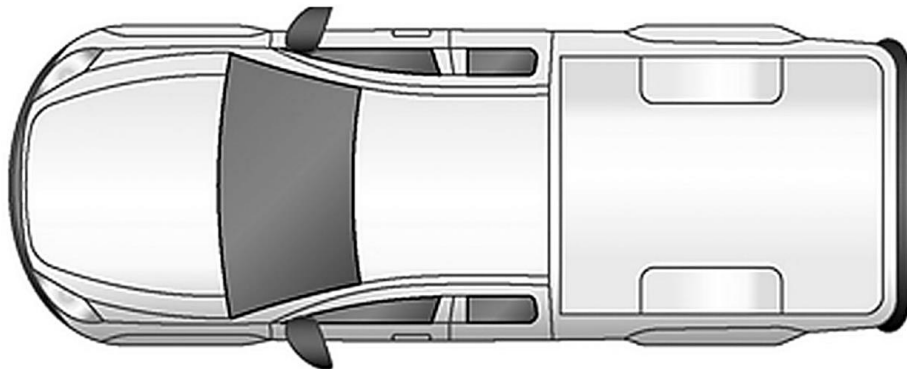
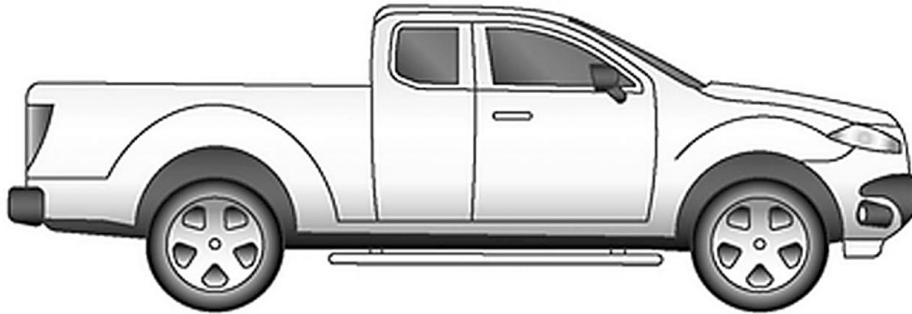
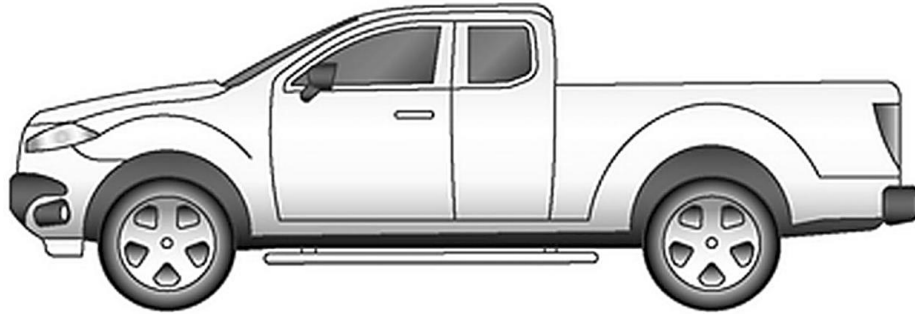
Pg.14 - Mode 10 – Emergency Vehicle (w/headlights on)

# LED INSTALLATION

1. Choose the desired UF-7R blink MODE by pressing the 'Mode' button on the UF-7R. (See Blink Mode Section page 4).



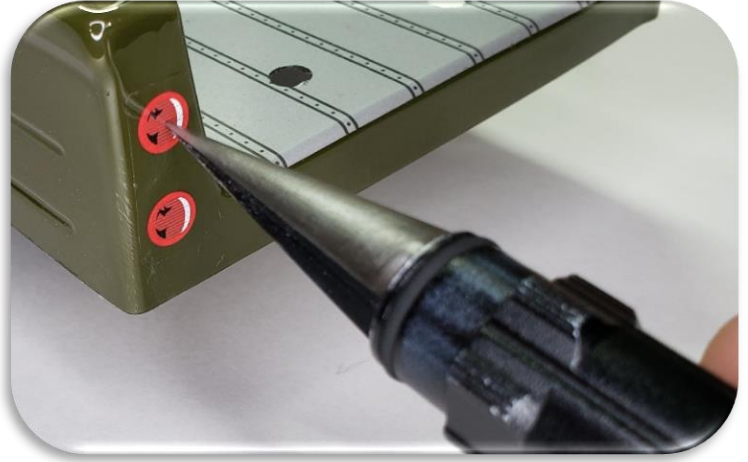
2. Once you have determined which mode you wish to use, next step is to choose where to install, what size, and what color LEDs are to be used. Use this diagram to help layout your lighting plans.



## LED INSTALLATION (cont.)

3. Once you have determined the mode and LED locations, you will need to begin installing the LEDs. Drill holes for the LED holders. Be careful to not drill the hole too large.

**NOTE** – You can purchase a hand drill / body reamer from your local RC hobby store. Carefully follow all safety instructions provided with the drill.

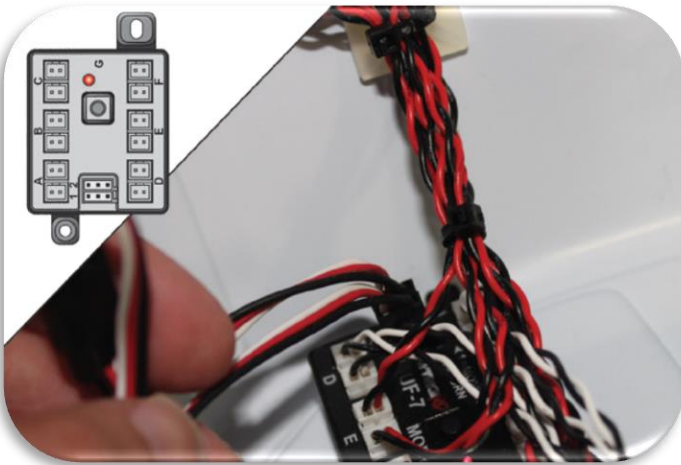
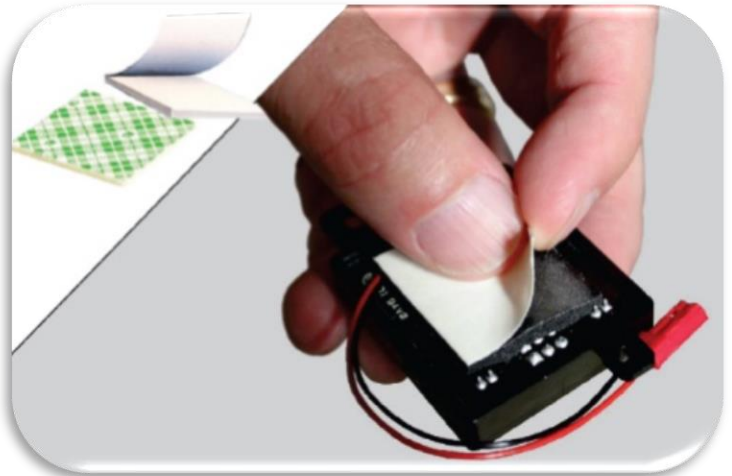


4. Snap LED holders into the body from the outside. Insert LEDs into LED holders from the inside of the body.

**NOTE** – It is recommended to apply a pliable glue, such as Zap Goo, ShoeGoo, E6000, etc. making sure the glue contacts the body, the LED and LED wires. The glue will strengthen the wires and help the LEDs last longer.

5. Attach UF-7R LED Light Controller to your vehicle using the attached double back adhesive or using the breakaway mounting tabs.

**NOTE** – The mounting tabs may be easily twisted off if not used.



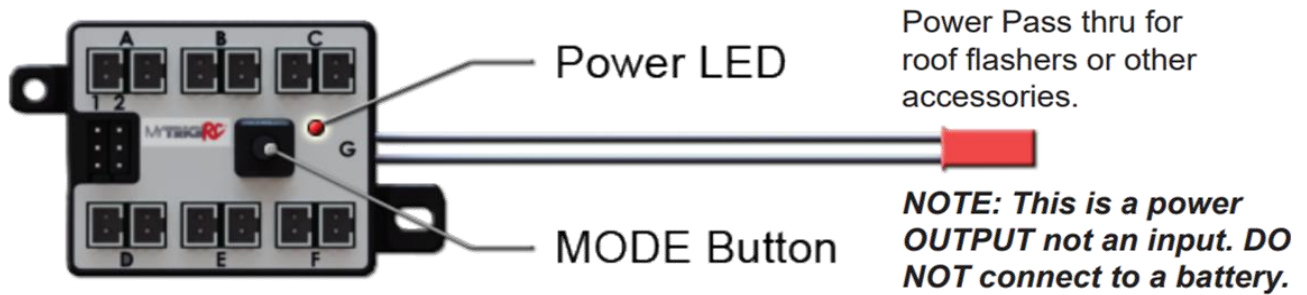
6. Connect LEDs to the UF-7R LED Light Controller

**NOTE** – Connect each LED depending on the desired blink MODE. See Blink Mode Section on page 4.

**Example** – For headlights, tail/brake lights, and turn signals use MODE #6, Connect HEADLIGHT LEDs to outputs A, D or E. Connect TAILLIGHTS to outputs B, connect RIGHT side blinkers to output F, and LEFT side blinkers to output C.



# POWER CONNECTIONS & SETTINGS



The UF-7R has many different pre-programmed output MODES to fit multiple lighting requirements. Pressing the MODE button scrolls through the various modes. 0-10 and back to 0.

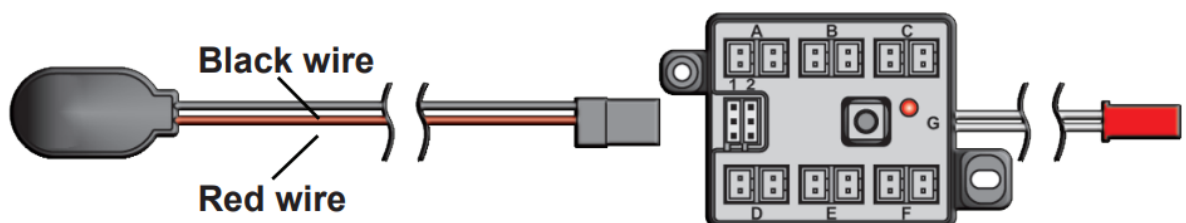
When power is applied to the UF-7R the power LED will blink several times to indicate the software revision of your controller. It will then blink to indicate the current mode.

**Example:** • - • • • • [pause] • • • • indicates Software Revision 1.5 [pause] Mode 4.

Each time you press the MODE button the power LED will blink the number of times equivalent to the current MODE. For Example, 5 blinks indicates that the current mode is #5. After blinking, the power LED will stay on steady to indicate power.

## 9V ADAPTER

Connect to Port 1 or 2 as indicated in the Blink MODE



# BLINK MODES

## Mode 0 – On / Off

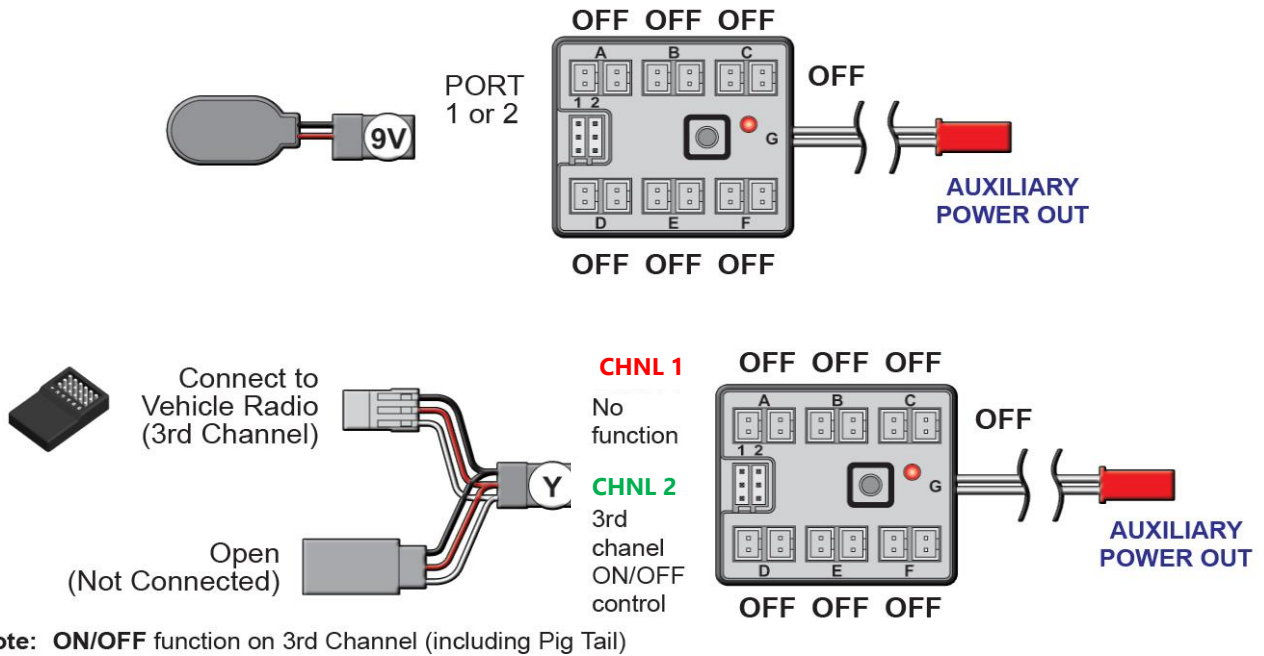
**Note** – Connect included UF-7R Y-Cable from Port 2 on the light controller to channel 3 on your receiver.

**Factory Setting:** All Off

**CHNL 1:** Not active

**CHNL 2:** Switch

**Switch functions:** ALL ports and pigtail ON Full | All ports and pigtail OFF



## Mode 1 – Watercraft

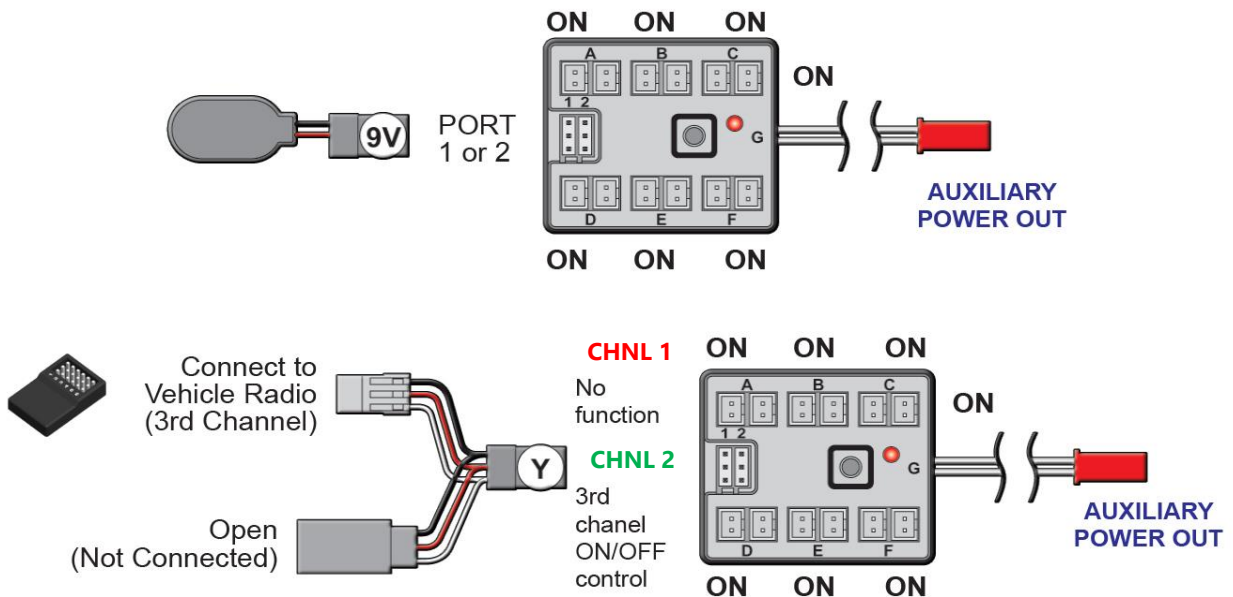
**Note** – Connect included UF-7R Y-Cable from Port 2 on the light controller to channel 3 on your receiver.

**Factory Setting:** All ON

**CHNL 1:** Not active

**CHNL 2:** Switch

**Switch functions:** All ports and pigtail On Full | Ports A, B, C, and pigtail Off – Ports D, E, F On Full



# BLINK MODES

## Mode 2 – Trail Truck, Crawler, Basher (vehicles w/ Brake lights)

**Note** – Connect included UF-7R Y-Cable from Port 2 on the light controller to channel 3 on your receiver.

**Factory setting:** Ports A, E, F, and pigtail are Off, B and D are Dim, C is Blinking

**CHNL 1:** (Activated by throttle on transmitter)

Neutral – Ports A, E, F, and pigtail are Off, B and D are Dim, C is Blinking

Throttle On – No change

Brake On – Ports B and F Full

Double Press Brake – Ports A, B, and F Full

**CHNL 2:** Switch

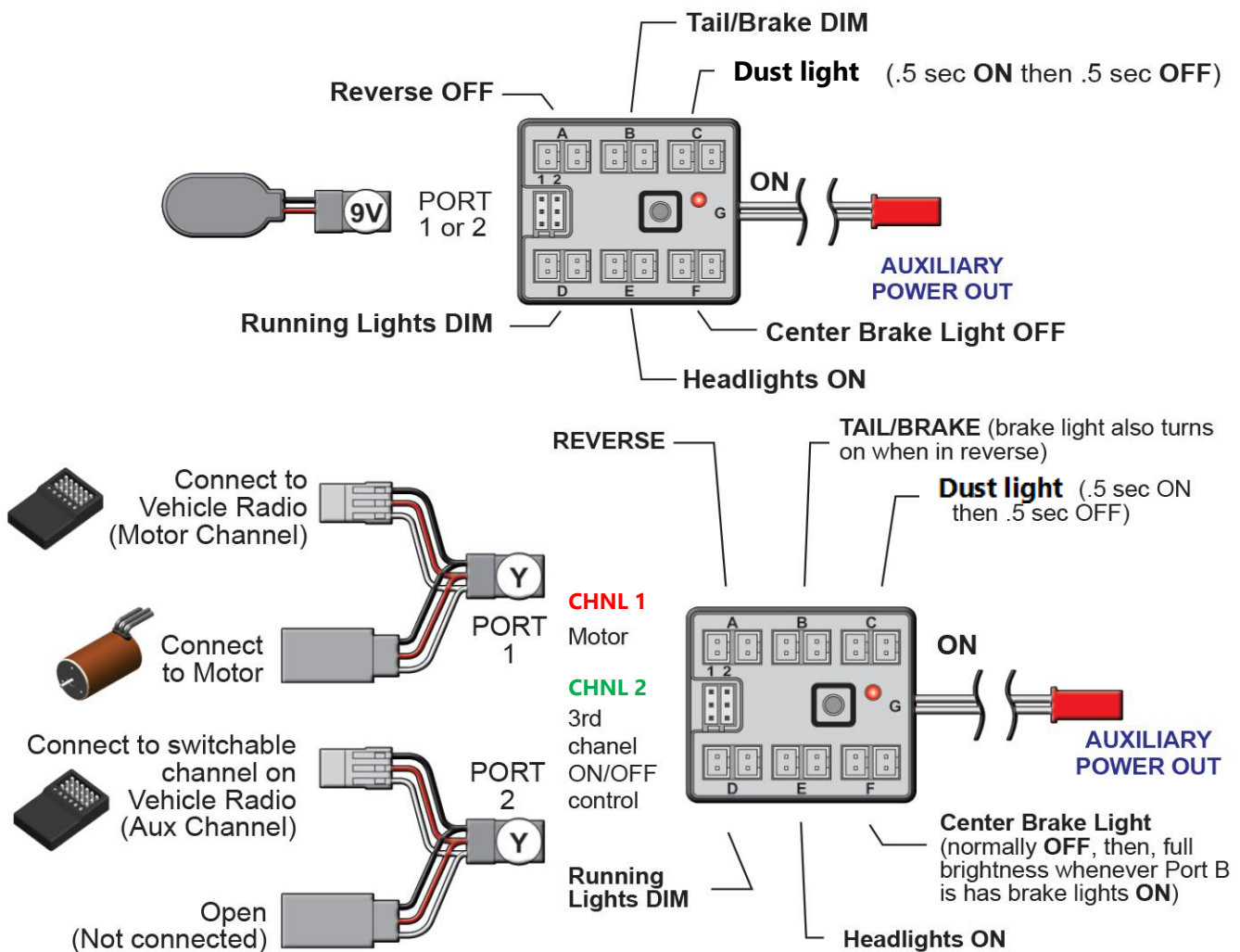
All Ports and pigtail Off

Ports A, E, F, and pigtail are Off, B and D are Dim, C is Blinking

Ports A, F, and pigtail are Off, B and D are Dim, E is Full, C is Blinking

Ports A and F are Off, B and D are Dim, E is On Full, C is Blinking, pigtail is On

**NOTE** - 20 second idle and ports B, D Blink Full (Hazards) pigtail Off



# BLINK MODES

## Mode 3 – Trail Truck, Crawler, Basher (vehicles w/o Brake lights)

**Note** – Connect included UF-7R Y-Cable from Port 2 on the light controller to channel 3 on your receiver.

**Factory Settings:** Porta A, E, and pigtail are Off, B and F are Full, D is Dim, C is Blinking

**CHNL 1:**

Neutral – Ports A, E, and pigtail are Off, B and F are On Full, D is Dim, C is Blinking

Throttle On – Port B Dim, F Off

Brake On – Port A On Full

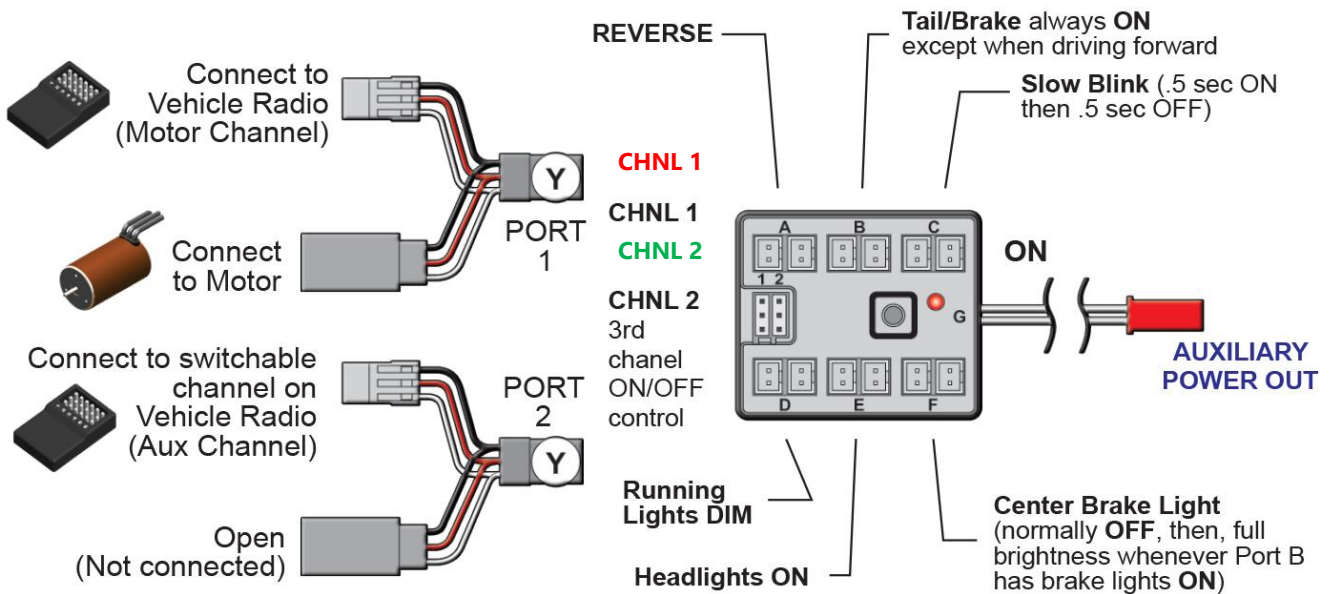
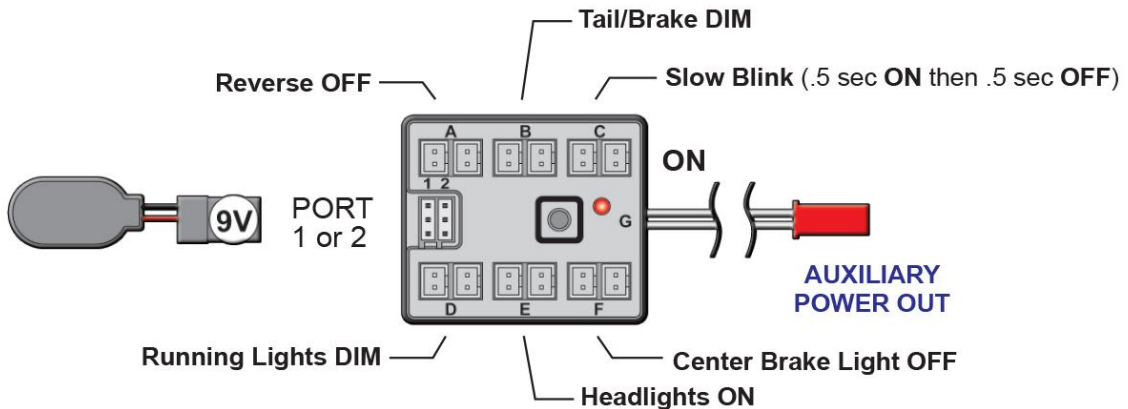
**CHNL 2: Remote Switch**

All ports and pigtail Off

Ports A, E, and pigtail are Off, B and F are On Full, D is Dim, C is Blinking

Ports A and pigtail are Off, B, E, and F are On Full, D is Dim, C is Blinking

Port A is Off, B, E, F, and pigtail are On Full, D is Dim, C is Blinking



**Note:** 1. **Hazard Lights** (All LEDs turn off except ports B & D that blink as hazard lights after 20 sec). You can turn OFF Hazard Lights by press-and-hold the Mode Button for 3 seconds. Repeat to turn back ON.  
 2. **ON/OFF** function on 3rd Channel (including Pig Tail)



# BLINK MODES

## Mode 4 – Car 1 (turn signals normally off)

**Factory Setting:** Ports A, C, D, and F are Off, B is Dim, E and pigtail are On Full

### CHNL 1:

Neutral – Ports A, C, D, and F are Off, B is Dim, E and pigtail are On Full

Throttle On – No Change

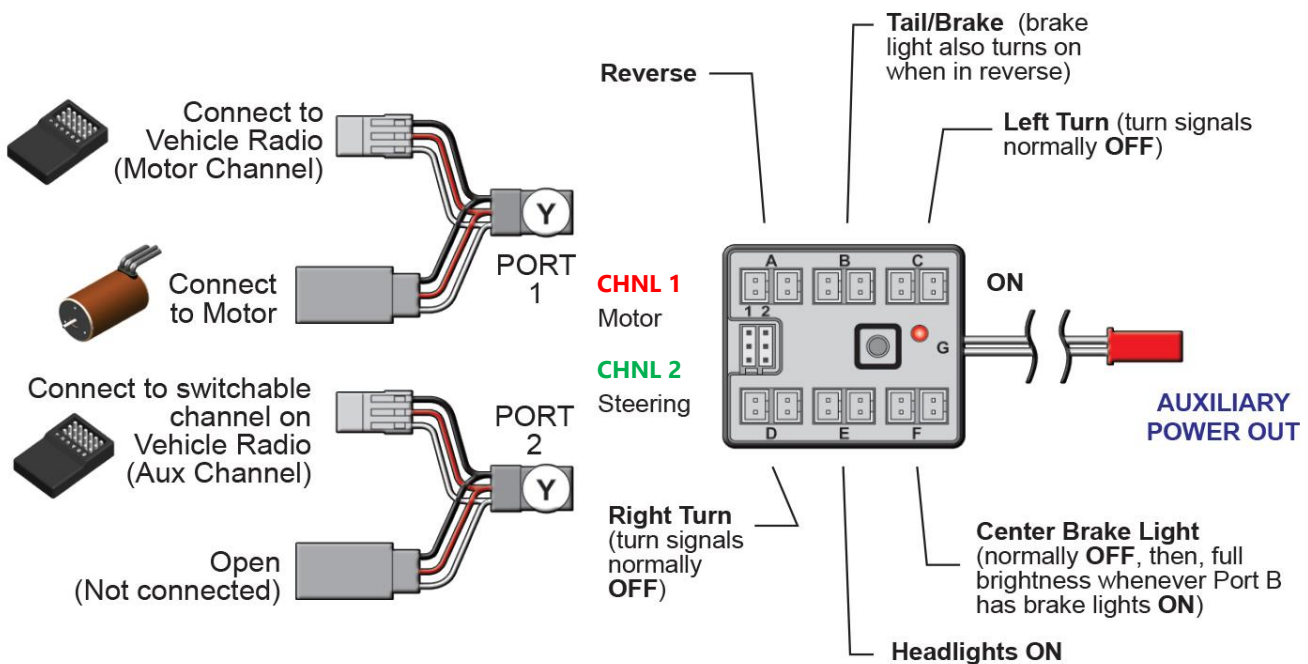
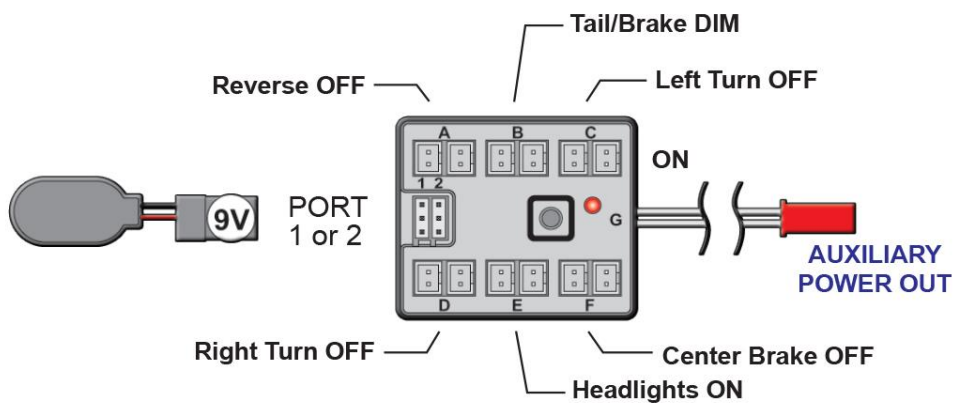
Brake On – Ports B and F On Full

Double Press Brake – Port A and Port B On Full

### CHNL 2:

Activates turn signals

**NOTE** – 20 second idle and ports B, C, D Blink Full (Hazards) pigtail is Off



**Note:** 1. **Hazard Lights** (All LEDs turn off except ports B & D that blink as hazard lights after 20 sec). You can turn OFF Hazard Lights by press-and-hold the Mode Button for 3 seconds. Repeat to turn back ON.  
2. **ON/OFF** function on 3rd Channel (including Pig Tail)

# BLINK MODES

## Mode 5 – Car 2 (turn signals normally Dim)

**Factory Setting:** Ports A and F are Off, B, C, and D are Dim, E and pigtail are On Full

### CHNL 1:

Neutral – Ports A and F are Off, B, C, and D are Dim, E and pigtail are On Full

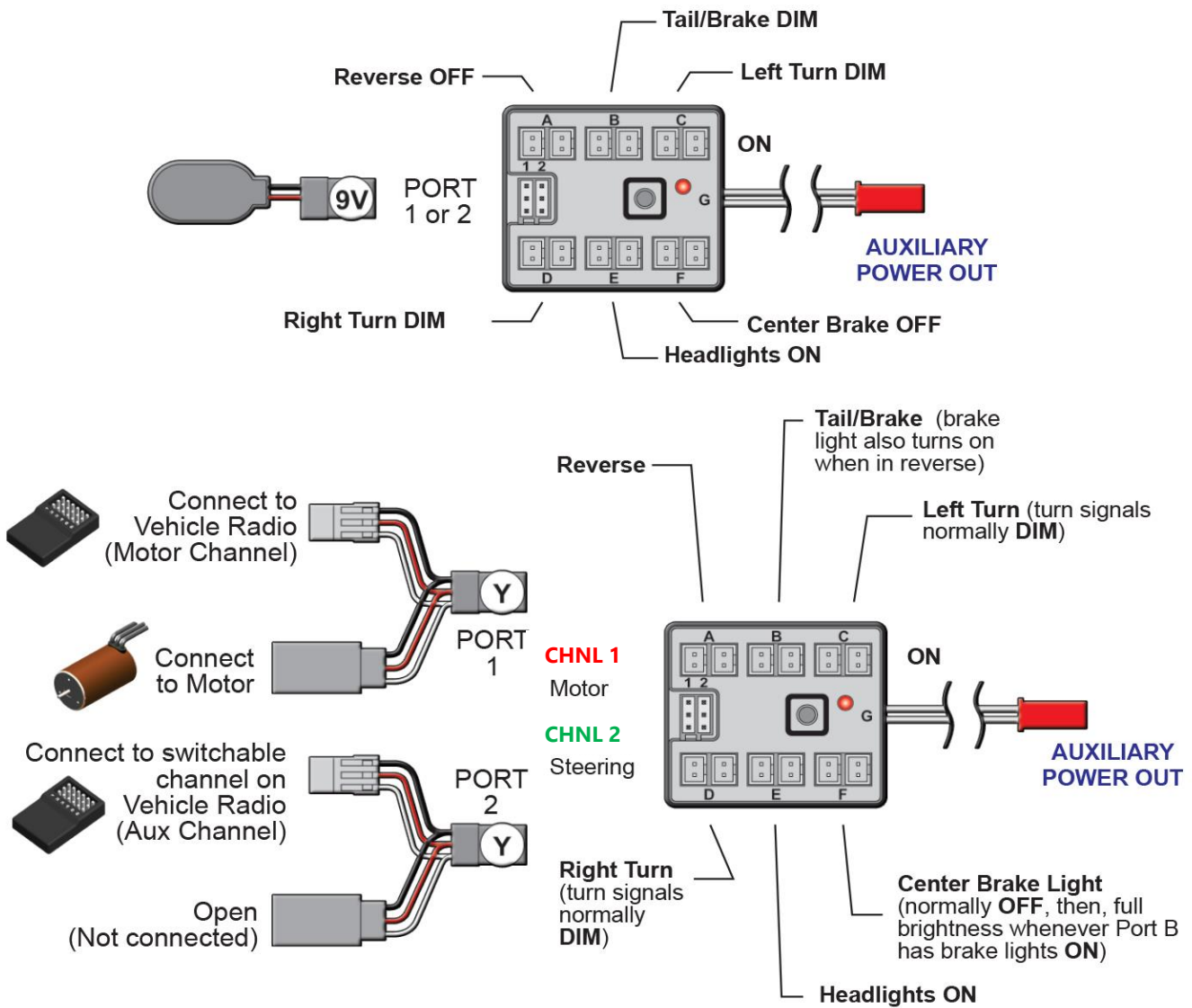
Throttle On – No Change

Brake On – Ports B and F On Full

Double Brake – Port A Full

### CHNL 2:

Activates turn signals



**Note:** 1. **Hazard Lights** (All LEDs turn off except ports B & D that blink as hazard lights after 20 sec). You can turn OFF Hazard Lights by press-and-hold the Mode Button for 3 seconds. Repeat to turn back ON.  
2. **ON/OFF** function on 3rd Channel (including Pig Tail)

# BLINK MODES

## Mode 6 – Car 3 (w/multi-function Tail / Brake /Signal Lights. Singles normally OFF)

**Factory Setting:** Ports A, D, and F are Off, B and C are Dim, E and pigtail are On Full

### CHNL 1:

Neutral – Ports A, D, and F are Off, B and C are Dim, E and pigtail are On Full

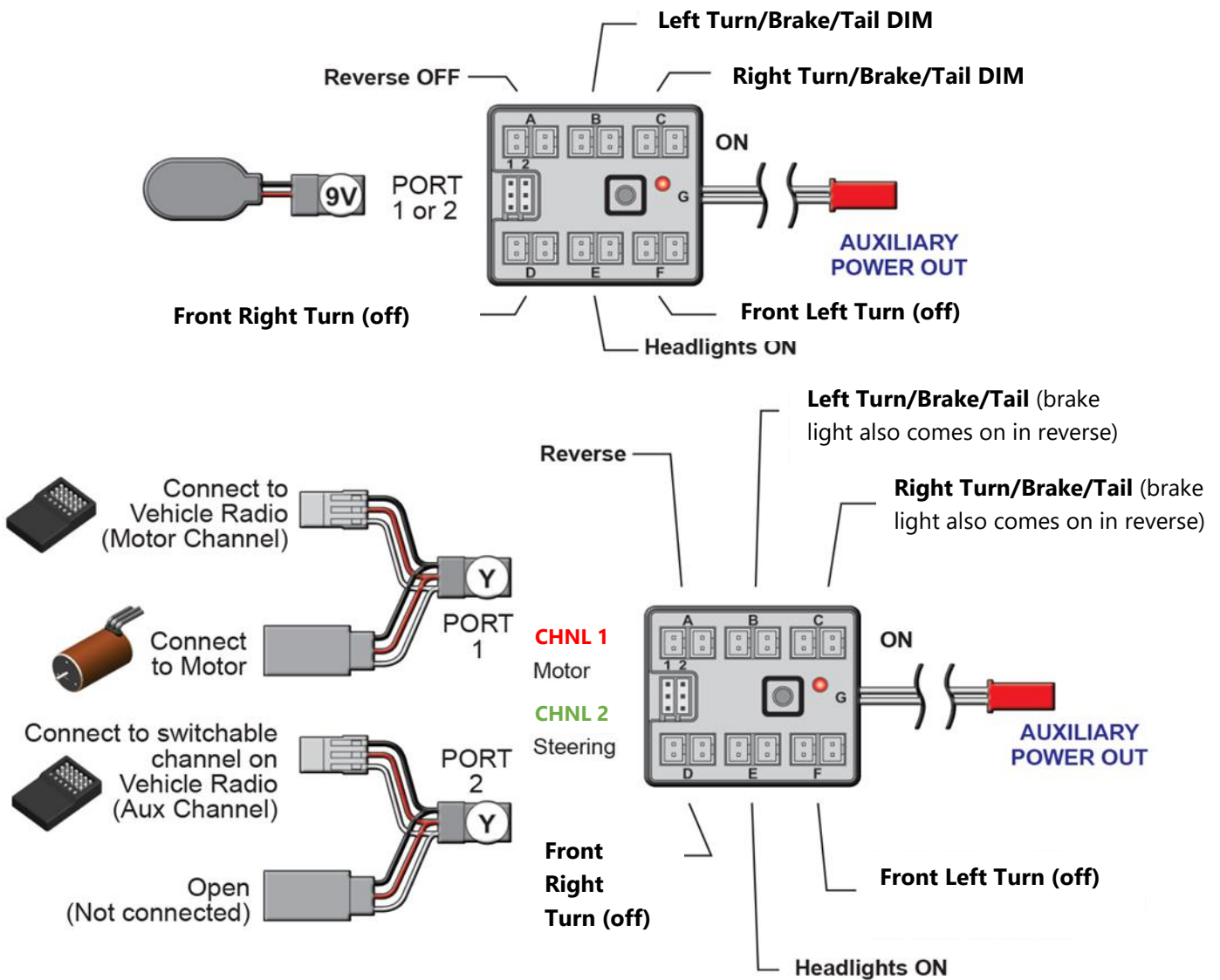
Throttle On – No Change

Brake On – Ports B and C On Full

Double Press Brake – Port A On Full

### CHNL 2:

Activates turn signals



**Note:** 1. **Hazard Lights** (All LEDs turn off except ports B & D that blink as hazard lights after 20 sec). You can turn OFF Hazard Lights by press-and-hold the Mode Button for 3 seconds. Repeat to turn back ON.  
2. **ON/OFF** function on 3rd Channel (including Pig Tail)

# BLINK MODES

## Mode 7 – Car 4 (w/multi-function Tail / Brake /Signal Lights. Singles normally DIM)

**Factory Setting:** Ports A, D, and F are Off, B and C are Dim, E and pigtail are On Full

### CHNL 1:

Neutral – Ports A, D, and F are Off, B and C are Dim, E and pigtail are On Full

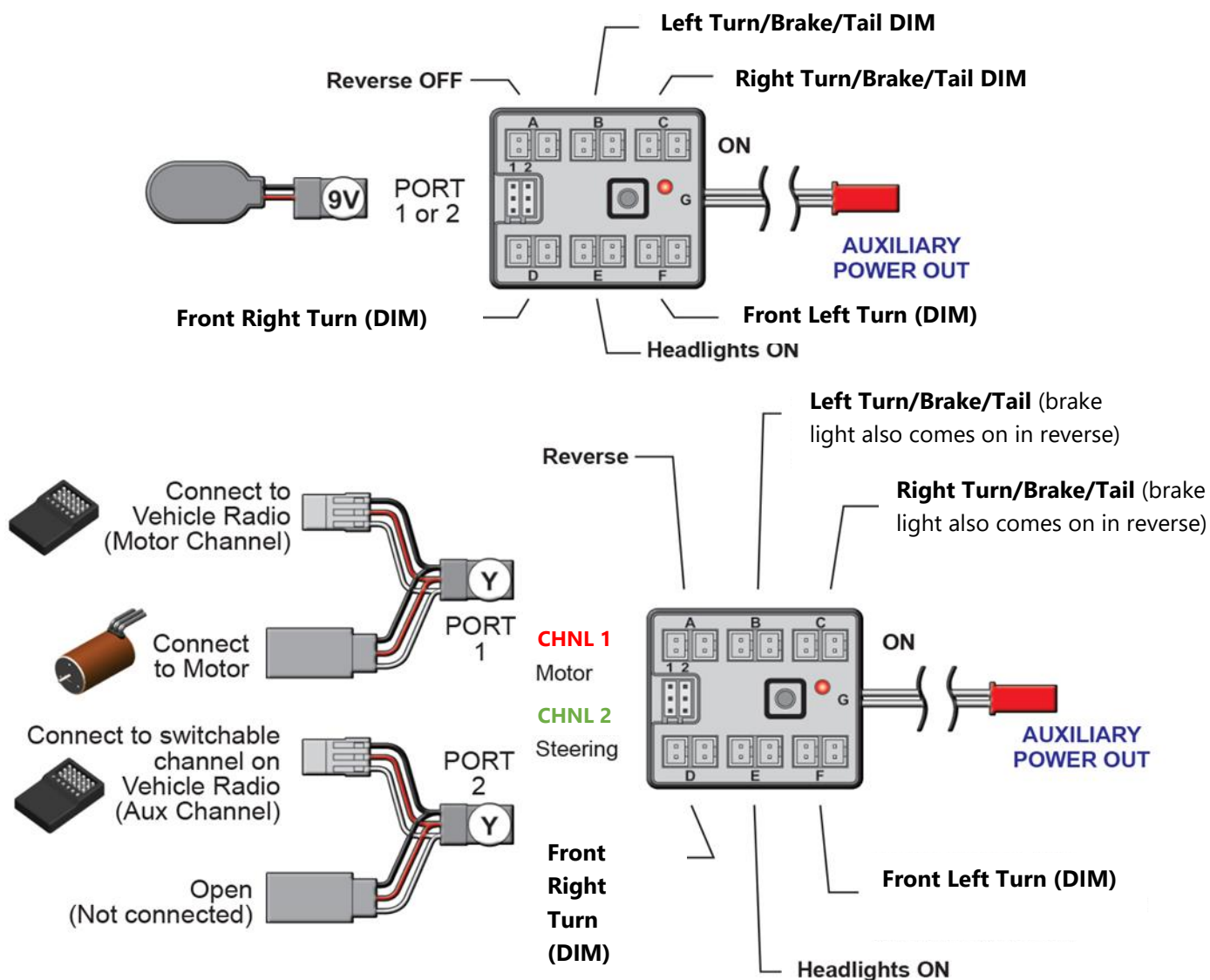
Throttle On – No Change

Brake On – Ports B and C On Full

Double Press Brake – Port A On Full

### CHNL 2:

Activates turn signals



**Note:** 1. **Hazard Lights** (All LEDs turn off except ports B & D that blink as hazard lights after 20 sec). You can turn OFF Hazard Lights by press-and-hold the Mode Button for 3 seconds. Repeat to turn back ON.  
2. **ON/OFF** function on 3rd Channel (including Pig Tail)



# BLINK MODES

## Mode 8 – Drift (w/backfire)

**Factory setting:** Ports A, D, and F are Off, B and C are Dim, E and pigtail are On Full

**CHNL 1:**

Neutral – Ports A, D, and F are Off, B and C are Dim, E and pigtail are On Full

Throttle On – No Change

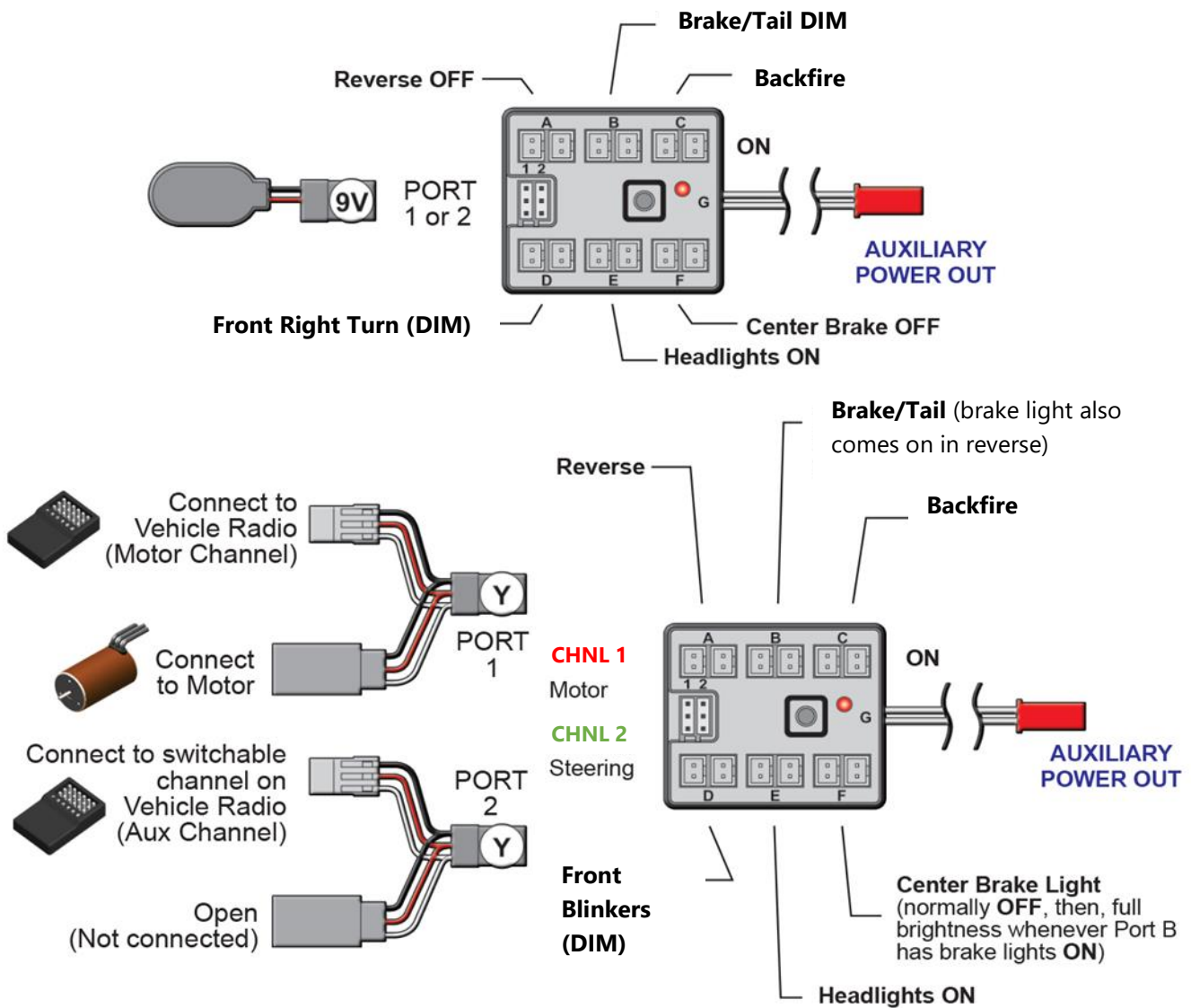
Brake On – Ports B and C On Full

Double Brake – Port A On Full

**CHNL 2:**

Activates turn signals

**Note** - 20 second idle and ports B, C, D, and F Blink Full (Hazards) pigtail turns Off.



**Note:** 1. Hazard Lights (All LEDs turn off except ports B & D that blink as hazard lights after 20 sec). You can turn OFF Hazard Lights by press-and-hold the Mode Button for 3 seconds. Repeat to turn back ON.  
 2. ON/OFF function on 3rd Channel (including Pig Tail)

# BLINK MODES

## Mode 9 – Emergency Vehicle (w/headlights Off)

**Factory setting:** Ports A and D alternating strobes, B, On Dim, C and F Blinking 8x together and then 8x alternating, E and Pigtail on Full

### CHNL 1:

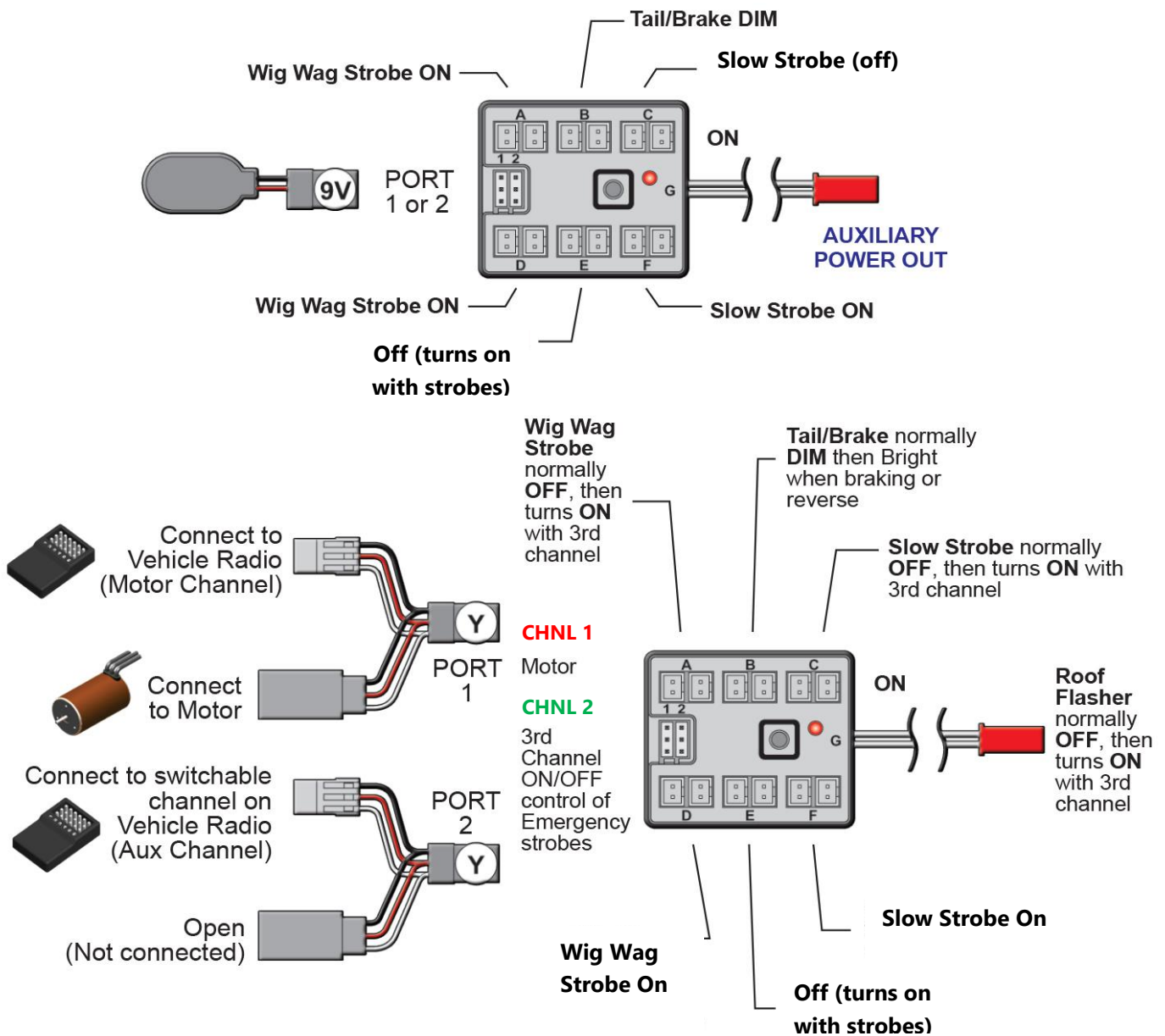
Neutral – Ports A and D alternating strobes, B, On Dim, C and F alternating blinking, E and Pigtail on Full  
Throttle On – No Change

Brake On – Port B On Full

### CHNL 2:

Ports A and D alternating strobes, B, On Dim, C and F alternating blinking, E and Pigtail On Full

Ports A, C, D, F, and Pigtail are off, B is Dim, E is On Full



# BLINK MODES

## Mode 10 – Emergency Vehicle (w/headlights On)

**Factory Setting:** Ports A and D alternating strobes, B, On Dim, C and F Blinking 8x together and then 8x alternating, E and Pigtail On Full

### CHNL 1:

Neutral – Ports A and D alternating strobes, B, On Dim, C and F alternating blinking, E and Pigtail on Full  
 Throttle On – No Change  
 Brake On – Port B On Full

### CHNL 2:

Ports A and D alternating strobes, B, On Dim, C and F alternating blinking, E and Pigtail on Full  
 Ports A, D, and Pigtail are off, B is Dim, C, E, and F are On Full

