



HB-2 LED Light Controller

Instructions (v1.1)

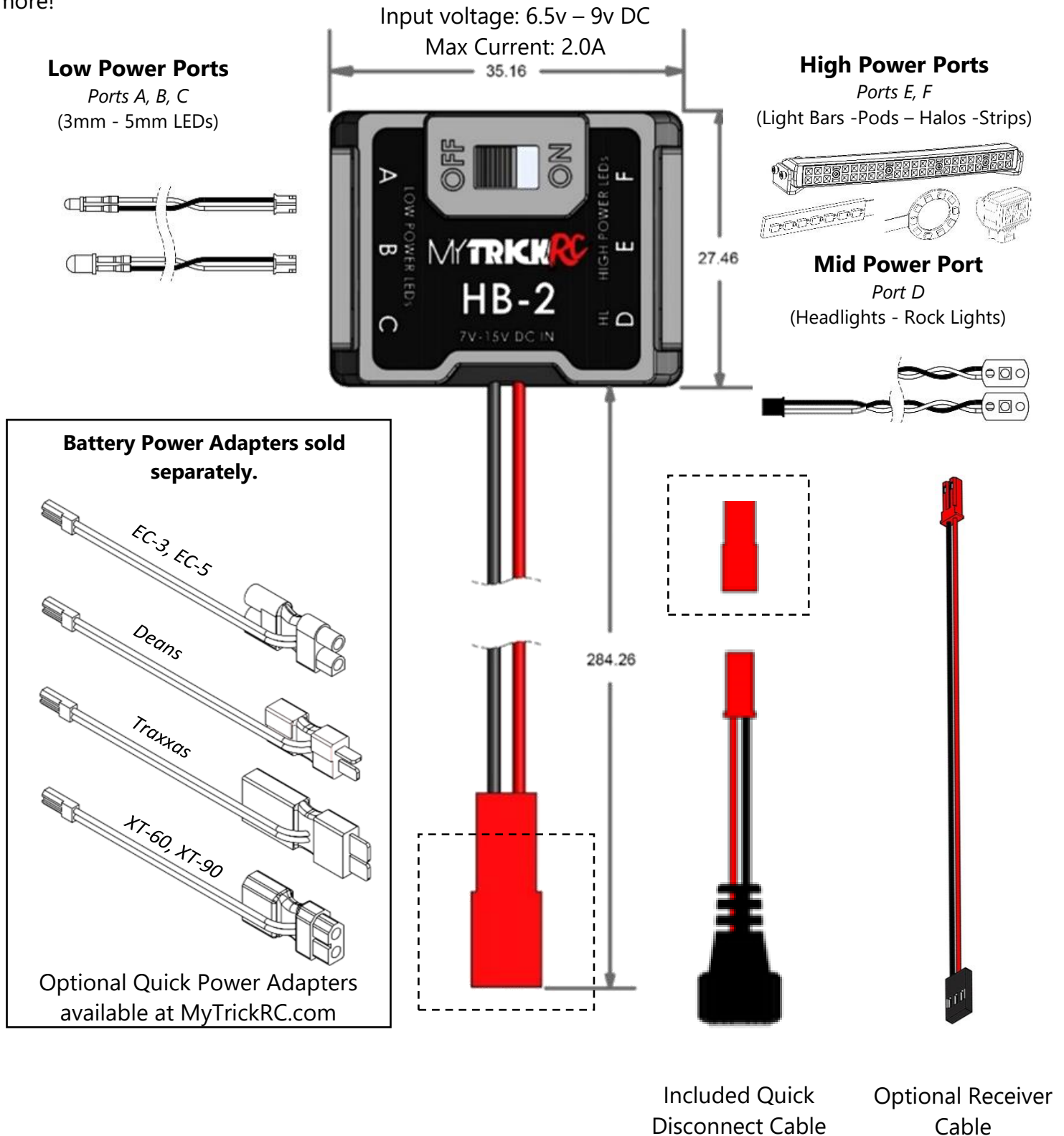


For more information, optional lighting, connectors, and more, checkout www.MyTrickRC.com

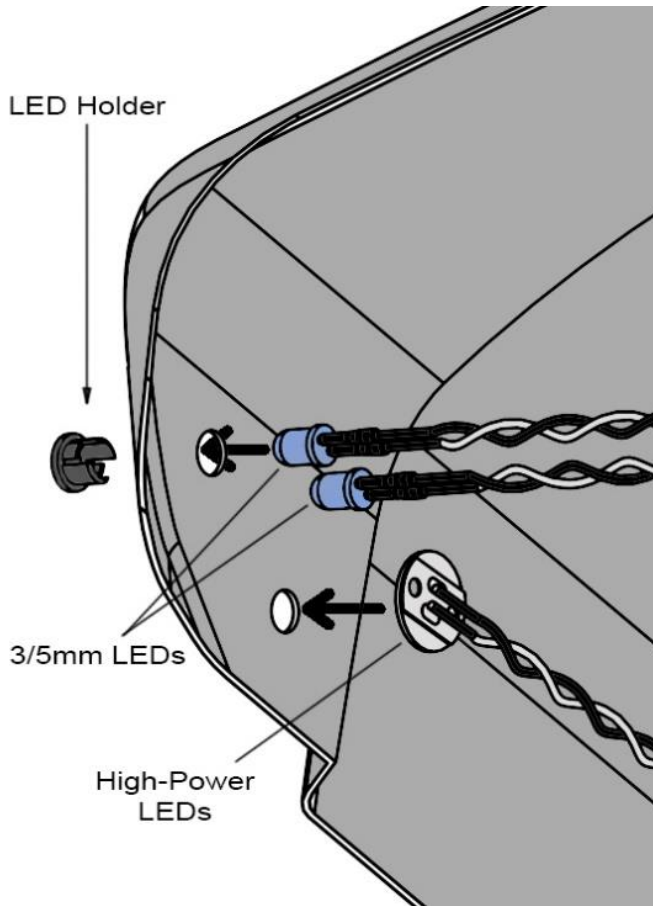
HB-2 LED Light Controller Instructions (v1.0)

The HB-2 LED Light Controller is a small, high-efficiency DC-DC switching power supply designed to power 3mm, 5mm, and high power 1W LEDs. Designed to be powered directly from your battery, the **HB-2 has an Input Voltage Range of 6.5 to 9V!**

Like its predecessor, (HB-1) the HB-2 has small 6-port layout but for the HB-2, we increased the input and output power capabilities. Now you can power halos, strips, wafers, light bars, rock lights, and more!



Light Controller Instructions cont. (v1.0)



- **Step 1** - Determine the location, color, and size of LED you wish to use.
- **Step 2** - With a hand drill / body reamer, cut holes into the body.
- **Step 3** - Snap the LED Holders into the body from the outside.
- **Step 4** - Snap the LED

- **HB-2 Ports A, B, and C** are for 3mm and 5mm LEDs with an output voltage of **2.8v**.
- **HB-2 Port D** is for High Power Headlights and Rock Lights with an output voltage of **4.5v**.
- **HB-2 Ports E and F** are for High Power Light Bars, Halos, Wafers, and Strips with an output voltage of **5v**.

NOTE: Certain LED color combinations will not work when connected to the same Y-Splitter Cable. Red, Orange, and Yellow LEDs operate at lower voltage (~2.8V), than White, Blue, and Green (~3.1V). So Red/Orange/Yellow colors work with each other but not with White/Blue/Green. The same is true for White/Blue/Green.

CAUTION: HB-2 does not have low voltage battery protection. Always unplug your battery when not in use.

Tech Tip: If flickering occurs, HB-2 is receiving low voltage (less than 6.5V). Check battery/system for proper voltage.