

CATALOG OF REPLACEMENT PARTS



TEPPAN-YAKI GRIDDLES

CURRENT MODELS

TYG48C ML-769368
TYG60C ML-769374

PRIOR MODELS

TYG24C ML-766552
TYG24C ML-769373
TYG36C ML-766503
TYG36C ML-769367
TYG48C ML-766504
TYG60C ML-766505
TYG72C ML-769382



Model TYG36C

For additional information on Wolf Range or to locate an authorized parts and service provider in your area, visit our website at www.wolfrange.com

REPLACEMENT PARTS TEPPAN-YAKI GRIDDLES

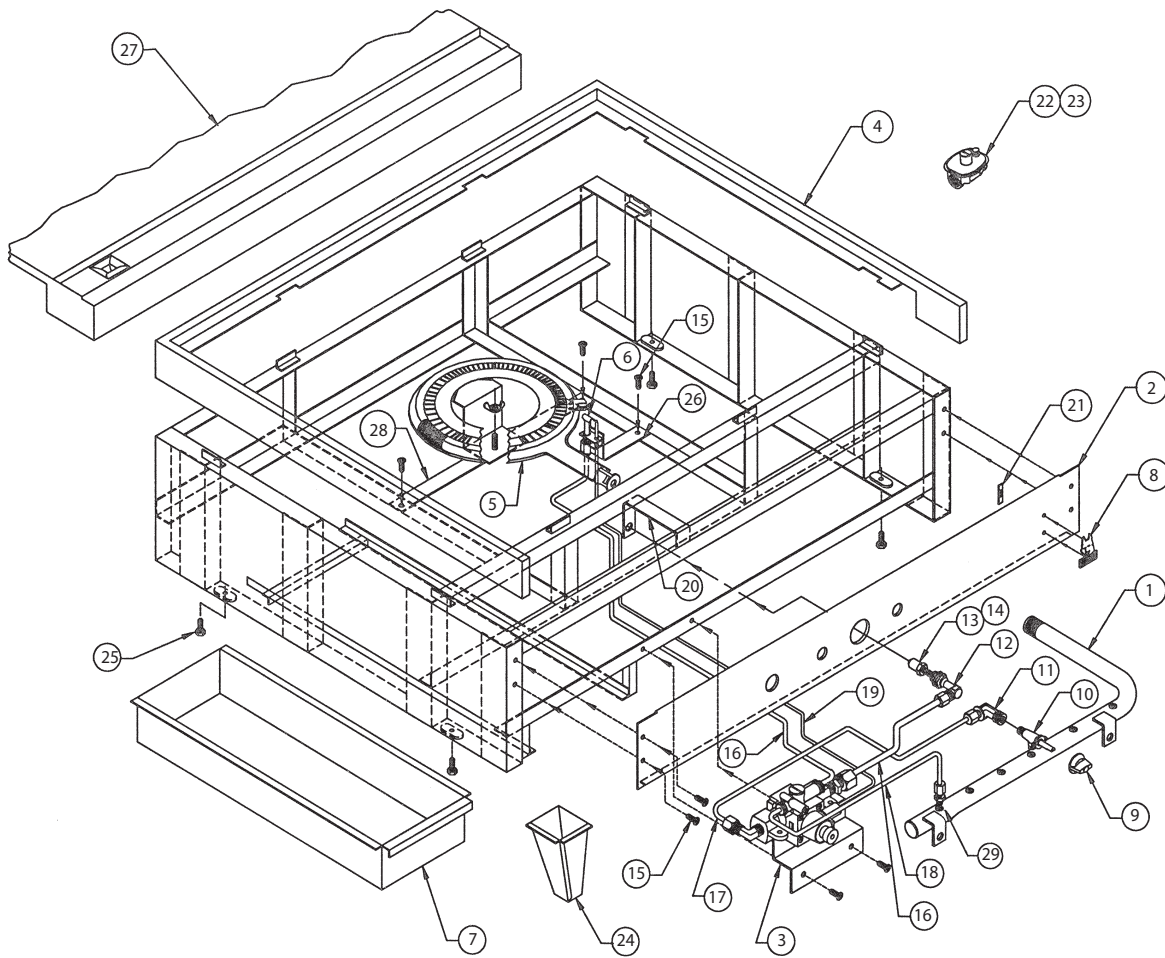


Figure 1

REPLACEMENT PARTS LIST

ILLUS. Figure 1	PART NO.	NAME OF PART	AMT.
1	00-769703-0000A	Manifold Pipe (Sept. 24, 1997 to Present)	1
	00-758285-0000A	Manifold Pipe (Prior to Sept. 24, 1997)	1
2	00-702091-00001	Manifold Cover (24") (Sept. 24, 1997 to Present)	1
	00-702091	Manifold Cover (24") (Prior to Sept. 24, 1997)	1
	00-702092-00001	Manifold Cover (36") (Sept. 24, 1997 to Present)	1
	00-702092	Manifold Cover (36") (Prior to Sept. 24, 1997)	1
	00-702093-00001	Manifold Cover (48") (Sept. 24, 1997 to Present)	1
	00-702093	Manifold Cover (48") (Prior to Sept. 24, 1997)	1
	00-769377	Manifold Cover (60") (Sept. 24, 1997 to Present)	1
	00-751273	Manifold Cover (60") (Prior to Sept. 24, 1997)	1
3	00-769372	Manifold Cover (72") (Sept. 24, 1997 to Present)	1
	00-714267	Safety Valve (TS11)	1
*	00-720719	Safety Valve (BASO)	1
	00-715005	Thermocouple	1
4	00-767729-0000A	Flue Deflector Flame	1
5	00-769690-000A1	Aluminized Burner Assy. (Sept. 24, 1997 to Present)	1
6	00-714269	Pilot Burner (Sept. 24, 1997 to Present)	1
	00-788541-0000A	Pilot Stem & Tip (Prior to Sept. 24, 1997)	1
7	00-702168-0000A	Grease Can Weld Assy.	1
8	00-719401	Small Wolf Head	1
9	00-719255-00012	Valve Knob (March 7, 2003 to Present)	1
	00-719255-00002	Valve Knob (Prior to March 7, 2003)	1
10	00-719221	Manual Gas Valve	1
11	00-719385	Orifice Elbow (Sept. 24, 1997 to Present)	1
	00-719211	Orifice Elbow (Prior to Sept. 24, 1997)	1
12	00-719376	Orifice Elbow Connector (Sept. 24, 1997 to Present)	1
	00-715055	90 Degree Brass Elbow (Prior to Sept. 24, 1997)	1
13	00-719951-00052	Burner Orifice Hood (LP Gas)	1
14	00-719951-00041	Burner Orifice Hood (Nat. Gas)	1
15	00-730228	Truss Hd. Phillips S/T	AR
16	00-722220	Flex Tubing 3/8 X 6"	1
17	00-722221	Flex Tubing 3/8 X 12"	1
	00-719601	Aluminum Tubing 7/16 X 7 (Prior to Sept. 24, 1997)	1
18	00-722228	Flex Tubing 1/4 X 12"	1
	00-722229	Flex Tubing 1/4 X 18"	1
19	00-702098	Orifice Bracket	1
20	00-702098	Orifice Bracket	1
21	00-730509	Tinnerman Clip	2
22	00-408279-00021	Regulator (LP Gas)	1
23	00-408279-00025	Regulator (Nat. Gas)	1
24	00-763399-0000A	Grease Chute	1
25	00-730117	Leveling Bolt 3/8-16 X 1 1/2"	4
26	00-769255	Pilot Bracket	1
27	00-702165-000A4	Griddle Plate Weld Assy. (24")	1
	00-702166-000A4	Griddle Plate Weld Assy. (36")	1
	00-702167-000A4	Griddle Plate Weld Assy. (48")	1
	00-751274-000A4	Griddle Plate Weld Assy. (60")	1
	00-769695-000A4	Griddle Plate Weld Assy. (72")	1
28	00-769254	Burner Bracket Support	1
29	00-719179	Pilot Valve (Aug. 1, 1998 to Present)	1
	00-719193	Pilot Valve (Prior to Aug. 1, 1998)	1
*	Not Shown		

RECOMMENDED SPARE PARTS

PART NO.	NAME OF PART	AMT.
00-719221	Burner Valve	2
00-719255-00012	Valve Knob (Red)	2
00-714267	Safety Valve (TS11)	2
00-715005	Thermocouple	2
00-714269	Pilot Burner	2
00-711339-0000N	Pilot Orifice (Nat. Gas)	2
00-711339	Pilot Orifice (LP Gas)	2
00-769690-000A1	Oval Replacement Burner Assy.	1