

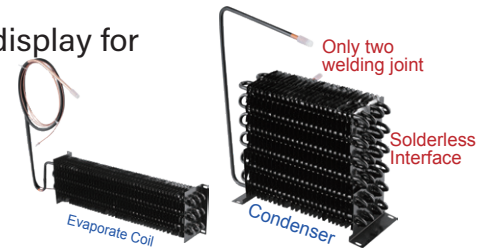
Under Counter Refrigerator

With Side Mounted Compressor



Features

- CFC free refrigerant and foam insulation.
- Equipped with an electronic thermostat and digital LED temperature display for precise control and convenient reading.
- Features a self-closing swing door for added convenience.
- The magnetic gasket can be replaced without the need for any tools.
- External construction comprises stainless steel framework.
- Internally constructed with 304 stainless steel.
- Incorporates auto defrosting and auto evaporation mechanisms to prevent condensation.
- The coated copper tube, boasting a sturdy 0.7mm thickness, ensures durability.
- Crafted from a single bent tube, minimizing the risk of leaks with only two welding joints.
- The condenser is efficiently positioned inside the condensation pan to facilitate the evaporation of excess water.
- Adjustable and heavy-duty epoxy-coated wire shelves for flexible storage options.
- Comes with easy-to-mount 4" casters (front casters equipped with brakes), standard with all units.
- Electrical specifications: 115/60/1 with a NEMA 5-15P plug and a 10ft cord.



Temperature

- Interior temperature range: 1°C to 6°C (33°F to 46°F)
- Ambient temperature upto 45°C (113°F)

Warranty

- 3 years parts and labour
- 5 years compressor warranty



CUSC-60
CUSC-72



CUSC-48



CUSC-84
CUSC-96

Specifications

Model	Doors	Ext. Dimensions W x D x H (in)	Shelves	V/Hz/Ph	AMPS	Power	Storage Capacity(cu.ft)	NEMA PLUG	Ship Weight(lbs)	Ship Data W x D x H (in)
CUSC-48	1	48 1/4 x 31 1/2 x 35 1/2	2	115/60/1	4	380W/0.51 HP	9.5	5-15P	283	51 3/8 x 35 1/4 x 39 1/4
CUSC-60	2	60 x 31 1/2 x 35 1/2	2	115/60/1	4.5	400W/0.54 HP	14.2	5-15P	340	63 1/2 x 35 1/4 x 39 1/4
CUSC-72	2	72 x 31 1/2 x 35 1/2	2	115/60/1	5	450W/0.60 HP	19	5-15P	408	75 1/2 x 35 1/4 x 39 1/4
CUSC-84	3	84 x 31 1/2 x 35 1/2	2	115/60/1	5	450W/0.60 HP	23.4	5-15P	461	87 1/2 x 35 1/4 x 39 1/4
CUSC-96	3	96 x 31 1/2 x 35 1/2	2	115/60/1	5	450W/0.60 HP	27.7	5-15P	496	99 1/2 x 35 1/4 x 39 1/4

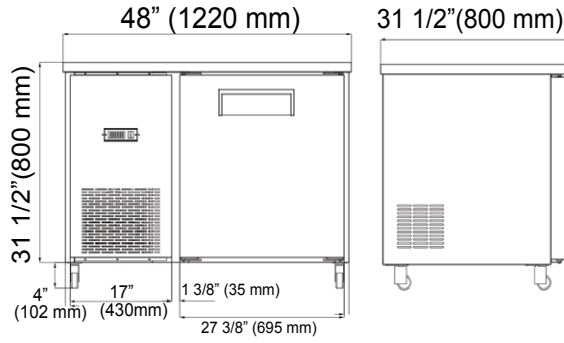
If the data and structure update, without notice, subject to material object.

Under Counter Refrigerator

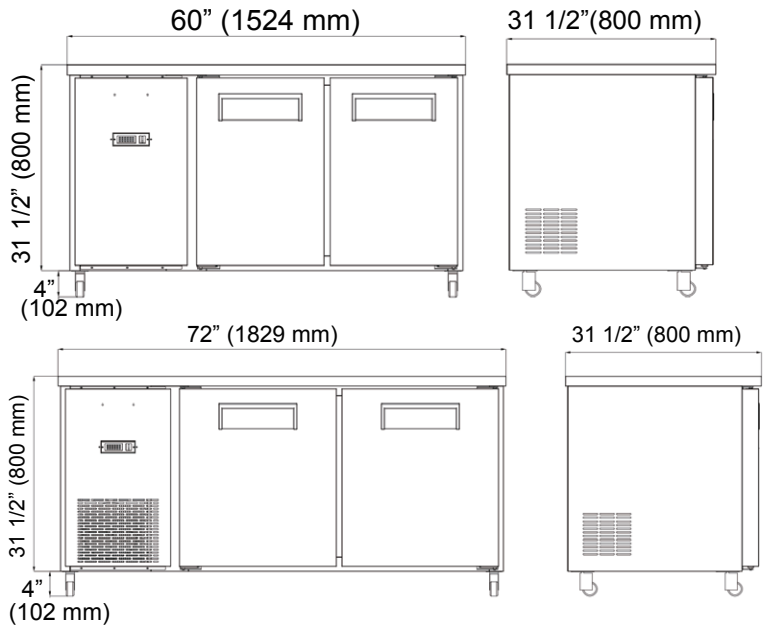
With Side Mounted Compressor



CUSC-48



CUSC-60
CUSC-72



CUSC-84
CUSC-96

