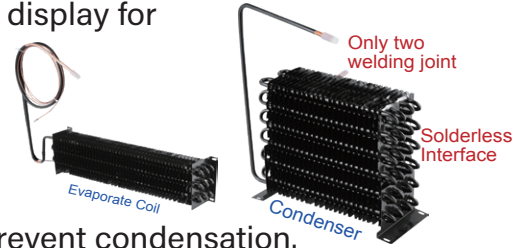


# Under Counter Freezer



## Features

- CFC free refrigerant and foam insulation.
- Equipped with an electronic thermostat and digital LED temperature display for precise control and convenient reading.
- Features a self-closing swing door for added convenience.
- The magnetic gasket can be replaced without the need for any tools.
- External construction comprises stainless steel framework.
- Internally constructed with 304 stainless steel.
- Incorporates auto defrosting and auto evaporation mechanisms to prevent condensation.
- The coated copper tube, boasting a sturdy 0.7mm thickness, ensures durability.
- Crafted from a single bent tube, minimizing the risk of leaks with only two welding joints.
- The condenser is efficiently positioned inside the condensation pan to facilitate the evaporation of excess water.
- Adjustable and heavy-duty epoxy-coated wire shelves for flexible storage options.
- Comes with easy-to-mount 4" casters (front casters equipped with brakes), standard with all units.
- Electrical specifications: 115/60/1 with a NEMA 5-15P plug and a 10ft cord.



## Temperature

- Interior temperature range: -17°C to -23°C ( 0°F to -10°F)
- Ambient temperature upto 45°C ( 113°F)

## Warranty

- 3 years parts and labour
- 5 years compressor warranty



## Specifications

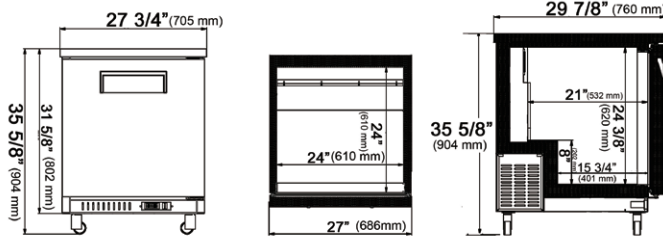
Model	Doors	Ext. Dimensions W x D x H (in)	Int.. Dimensions W x D x H (in)	Shelves	V/Hz/Ph	AMPS	Power	Storage Capacity(cu.ft)	NEMA PLUG	Ship Weight(lbs)	Ship Data W x D x H (in)
CUC27F	1	27 3/4 x 29 7/8 x 35 5/8	24 x 24 x 24 3/8	2	115/60/1	3	250W/0.34HP	6.5	5-15P	214	32 1/8 x 33 3/8 x 39
CUC36F	2	36 1/4 x 29 7/8 x 35 5/8	32 1/2 x 24 x 24 3/8	2	115/60/1	3	300W/0.41HP	9	5-15P	230	39 1/2 x 33 3/8 x 39
CUC48F	2	48 1/4 x 29 7/8 x 35 5/8	42 7/8 x 24 x 24 3/8	2	115/60/1	4	380W/0.51HP	12	5-15P	289	51 1/2 x 33 3/8 x39
CUC60F	2	61 1/8 x 29 7/8 x 35 5/8	55 7/8 x 24 x 24 3/8	2	115/60/1	5	450W/0.61HP	15	5-15P	336	64 1/2 x 33 3/8 x39
CUC72F	3	71 3/4 x 29 7/8 x 35 5/8	66 3/8 x 24 x 24 3/8	2	115/60/1	5.5	500W/0.67HP	18	5-15P	399	75 x 33 3/8 x 39

If the data and structure update, without notice, subject to material object.

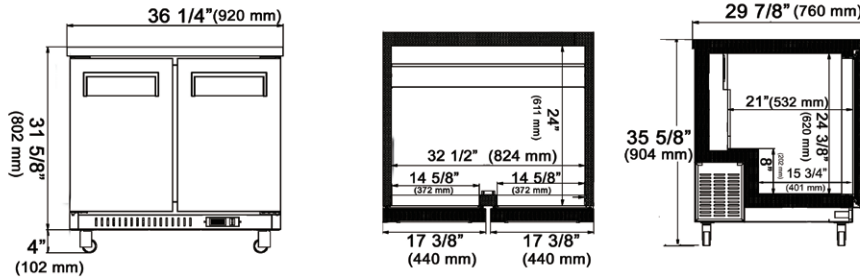
# Under Counter Freezer



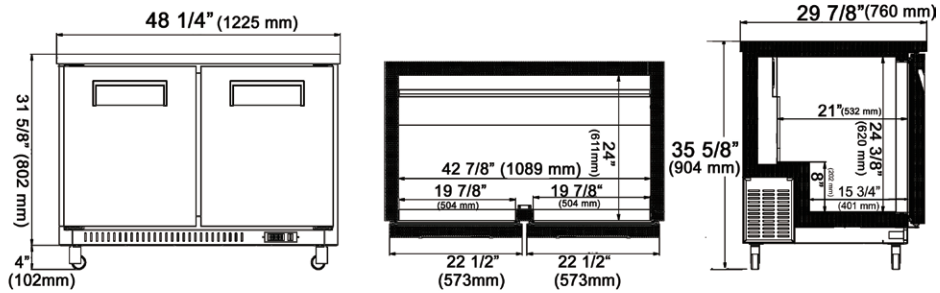
CUC27F



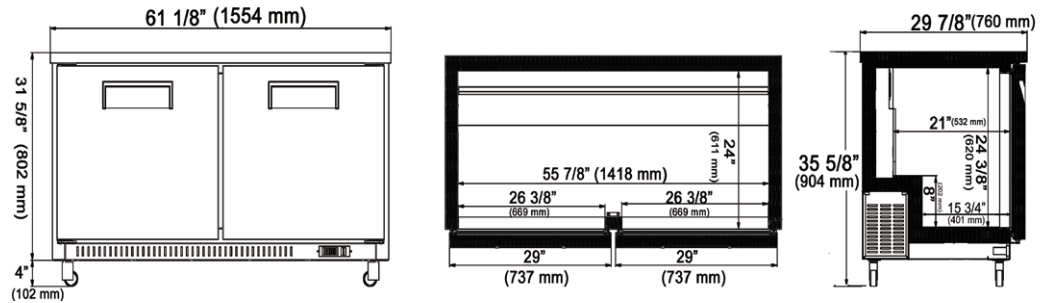
CUC36F



CUC48F



CUC60F



CUC72F

