

Under Counter Freezer With Drawer

Features

- CFC free refrigerant and foam insulation.
- Equipped with an electronic thermostat and digital LED temperature display for precise control and convenient reading.
- Features a self-closing swing door for added convenience.
- The magnetic gasket can be replaced without the need for any tools.
- External construction comprises stainless steel framework.
- Internally constructed with 304 stainless steel.
- Incorporates auto defrosting and auto evaporation mechanisms to prevent condensation.
- The coated copper tube, boasting a sturdy 0.7mm thickness, ensures durability.
- Crafted from a single bent tube, minimizing the risk of leaks with only two welding joints.
- The condenser is efficiently positioned inside the condensation pan to facilitate the evaporation of excess water.
- Adjustable and heavy-duty epoxy-coated wire shelves for flexible storage options.
- Comes with easy-to-mount 4" casters (front casters equipped with brakes), standard with all units.
- Electrical specifications: 115/60/1 with a NEMA 5-15P plug and a 10ft cord.



Temperature

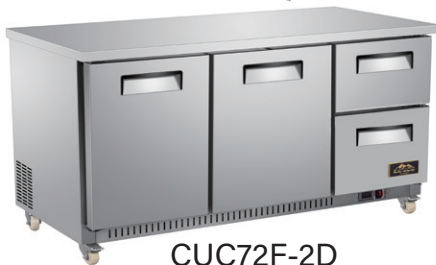
- Interior temperature range: -17°C to -23°C (0°F to -10°F)
- Ambient temperature upto 45°C (113°F)

Warranty

- 3 years parts and labour
- 5 years compressor warranty



CUC36F-2D
CUC48F-2D/CUC60F-2D CUC36F-4D
CUC48F-4D/CUC60F-4D



CUC27F-2D

CUC72F-2D

CUC72F-4D

CUC72F-6D

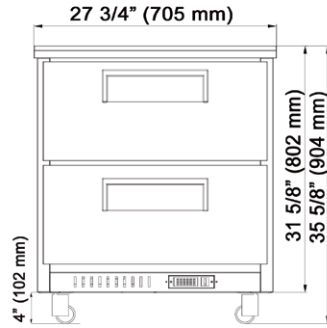
Specifications

Model	Doors & Drawers	Ext. Dimensions W x D x H (in)	Storage Capacity(cu-ft)	V/Hz/Ph	AMPS	Power	NEMA PLUG	Ship Weight(lbs)	Ship Data W x D x H (in)
CUC27F-2D	0&2	27 3/4 x 29 7/8 x 35 5/8	6.5	115/60/1	3	250W/0.34HP	5-15P	232	33 3/8 x 32 1/8 x 39
CUC36F-2D	1 &2	36 1/4 x 29 7/8 x 35 5/8	9	115/60/1	3	300W/0.41HP	5-15P	263	39 1/2 x 33 3/8 x 39
CUC36F-4D	0&4	36 1/4 x 29 7/8 x 35 5/8	9	115/60/1	3	300W/0.41HP	5-15P	296	39 1/2 x 33 3/8 x 39
CUC48F-2D	1 &2	48 1/4 x 29 7/8 x 35 5/8	12	115/60/1	4	380W/0.51HP	5-15P	294	51 1/2 x 33 3/8 x 39
CUC48F-4D	0&4	48 1/4 x 29 7/8 x 35 5/8	12	115/60/1	4	380W/0.51HP	5-15P	298	51 1/2 x 33 3/8 x 39
CUC60F-2D	1 &2	61 1/8 x 29 7/8 x 35 5/8	15	115/60/1	4	450W/0.61HP	5-15P	362	64 1/2 x 33 3/8 x 39
CUC60F-4D	0&4	61 1/8 x 29 7/8 x 35 5/8	15	115/60/1	4	450W/0.61HP	5-15P	384	64 1/2 x 33 3/8 x 39
CUC72F-2D	2&2	71 3/4 x 29 7/8 x 35 5/8	18	115/60/1	4.5	500W/0.67HP	5-15P	416	75 x 33 3/8 x 39
CUC72F-4D	1 &4	71 3/4 x 29 7/8 x 35 5/8	18	115/60/1	4.5	500W/0.67HP	5-15P	435	75 x 33 3/8 x 39
CUC72F-6D	0&6	71 3/4 x 29 7/8 x 35 5/8	18	115/60/1	4.5	500W/0.67HP	5-15P	452	75 x 33 3/8 x 39

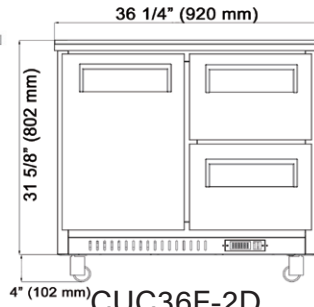
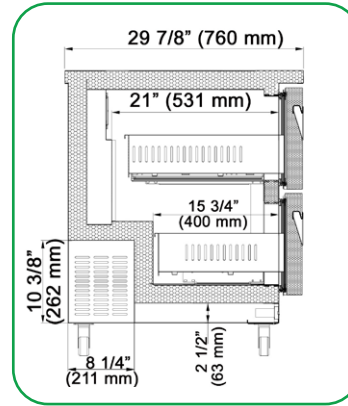


If the data and structure update, without notice, subject to material object.

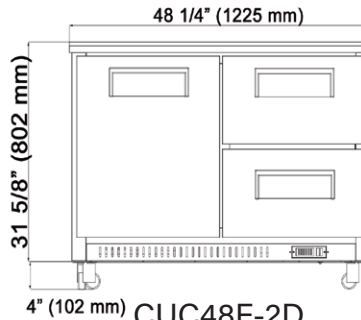
Under Counter Freezer With Drawer



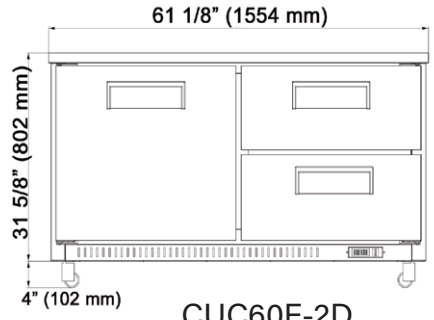
CUC27F-2D



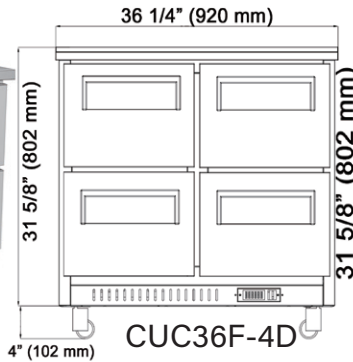
CUC36F-2D



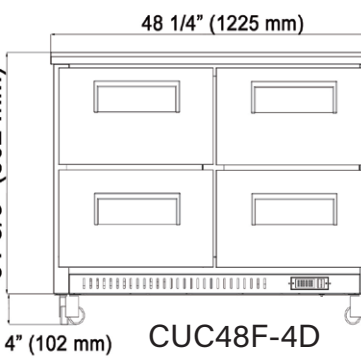
CUC48F-2D



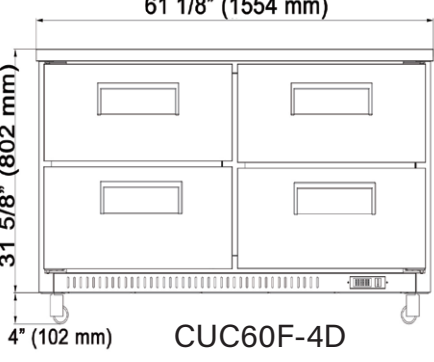
CUC60F-2D



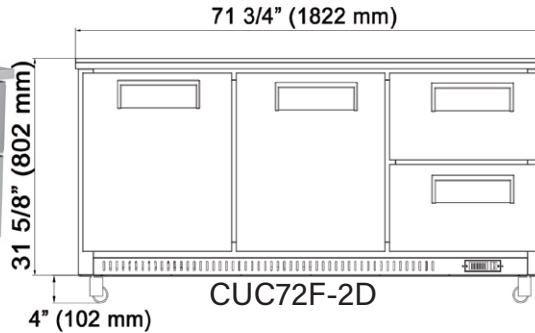
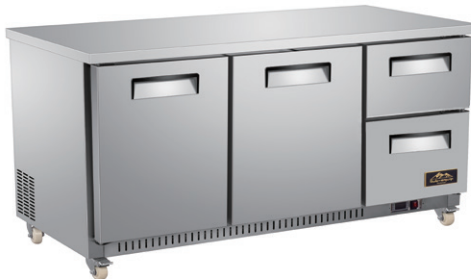
CUC36F-4D



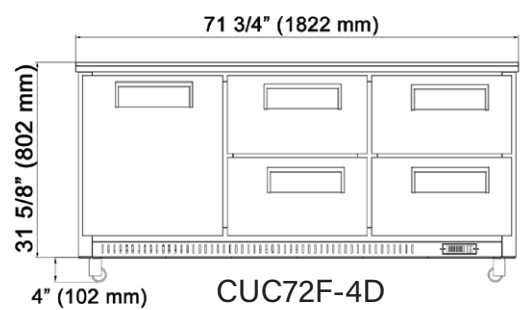
CUC48F-4D



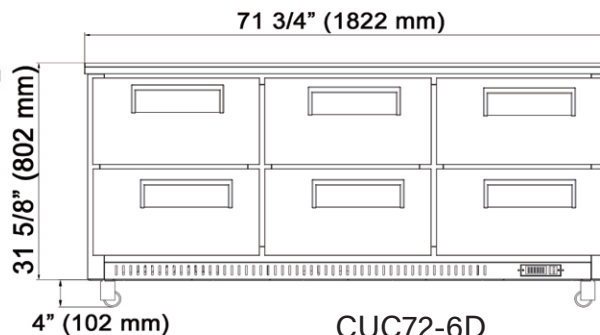
CUC60F-4D



CUC72F-2D



CUC72F-4D



CUC72-6D

