

Pass Through Refrigerator



Features

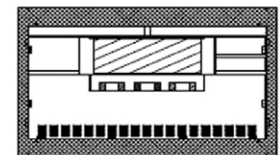
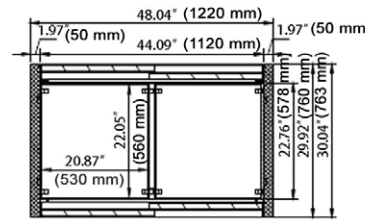
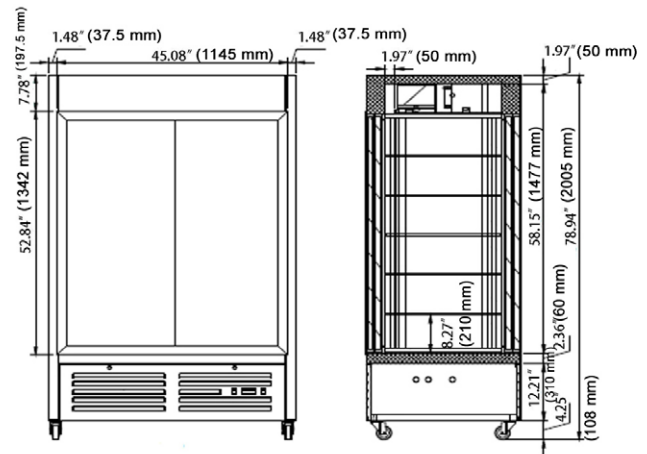
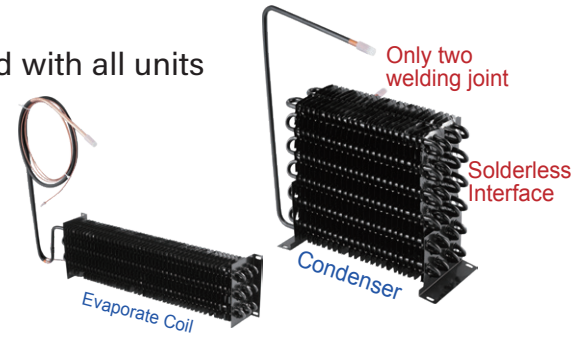
- CFC free refrigerant and foam insulation
- Electronic thermostat and digital LED temperature display for accurate control and easy reading
- Self-closing door
- Magnetic gasket can be replaced without any tools
- Double sliding glass doors at front & back for access on both sides-
- Energy efficient Low-e triple pane glass doors with heater on glass and inside door frame
- Auto defrosting and auto evaporation to prevent condensation
- Condensation pan efficiently evaporates excess water
- INTERIOR: 304 Stainless steel
- EXTERIOR: 430 Stainless Steel, plastic top sign panel with lamp
- LED interior lighting to enhance product display
- Heavy-duty polyethylene coated adjustable wire shelves
- Easy to mount 4" casters (front casters with brakes) are standard with all units

Temperature

- Interior temperature range: 1°C to 4°C (33°F to 40°F)

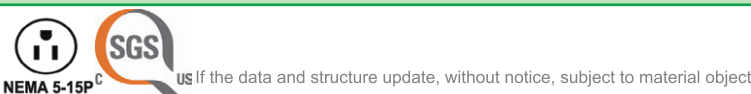
Warranty

- 3 years parts and labour
- 5 years compressor warranty



Specifications

Model	Ext. Dimensions W x D x H (in)	Int.. Dimensions W x D x H (in)	Shelves	V/Hz/Ph	AMPS	Power	NEMA PLUG	Storage Capacity(cu./ft)	Ship Weight(lbs)	Ship Data W x D x H (in)
CDM-48T	48 x 30 x 79	44 x 22 3/4 x 52 7/8	5	115/60/1	5.5	600W/0.81HP	5-15P	46		



Pass Through Refrigerator

