

INSTRUCTIONS

MODEL HS SERIES SLICERS

MODEL

Manual Slicers

HS6

HS6N

HS6 (Canada)

HS6N (Canada)

HS8

HS8N

HS8 (Canada)

HS8N (Canada)

Automatic Slicers

HS7

HS7N

HS7 (Canada)

HS7N (Canada)

HS7 (Japan)

HS7N (Japan)

HS9

HS9N

HS9 (Canada)

HS9N (Canada)



701 S. RIDGE AVENUE
TROY, OHIO 45374-0001

937 332-3000

www.hobartcorp.com

FORM 35284 Rev. D (May 2017)

TABLE OF CONTENTS

GENERAL	3
Features	4
Accessories and Options	4
INSTALLATION	5
Unpacking.....	5
Electrical Connections	5
Location	5
Assembly	6
Clean Before Using	6
OPERATION.....	7
Slicing In Manual Mode (HS6 and HS8 Series).....	7
Slicing In Manual Mode (HS7 and HS9 Series).....	7
Slicing In Automatic Mode (HS7 and HS9 Series).....	8
CLEANING	9
Cleaning Surface and Parts.....	9
Disassembly for Cleaning.....	9
Sharpener	9
Meat Grip	10
Product Tray	10
Top Knife Cover and Ring Guard Cover	11
Knife (Removable – HS6, HS7, HS8, and HS9).....	11
Cleaning	12
Sharpener	12
Meat Grip	12
Product Tray	12
Top Knife Cover and Ring Guard.....	12
Knife (Removable).....	12
Knife (Non-Removable)	12
Under the Slice	12
Reassembly After Cleaning	13
Knife (Removable with Knife Removal Tool).....	13
Ring Guard Cover and Top Knife Cover	14
Product Tray	14
Meat Grip	15
Sharpener	15
Gasket Inspection.....	16
MAINTENANCE	17
Knife Sharpening	17
Lubrication — Carriage Slide Rod	18
Lubrication — Meat Grip Slide Rod	18
Service.....	18

Installation, Operation and Care of MODEL HS Series Slicers

SAVE THESE INSTRUCTIONS

GENERAL

The HS Series Slicers are equipped with a 1/2 hp motor and are available for single-phase electrical service. The slicer features the Hobart CleanCut™ 13" diameter contoured stainless steel knife. The slicer is furnished with a cord and plug as standard equipment.

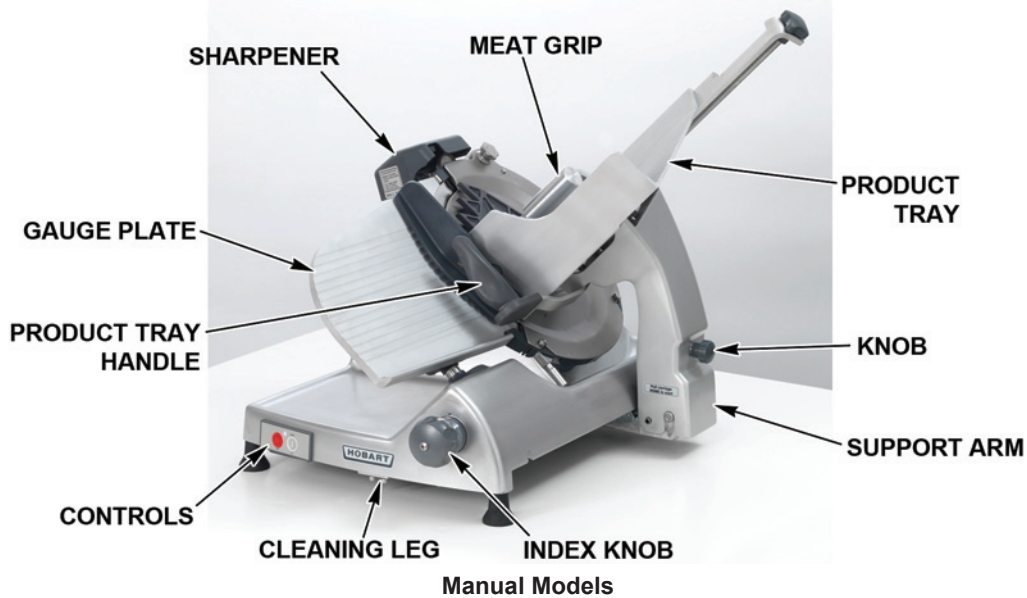
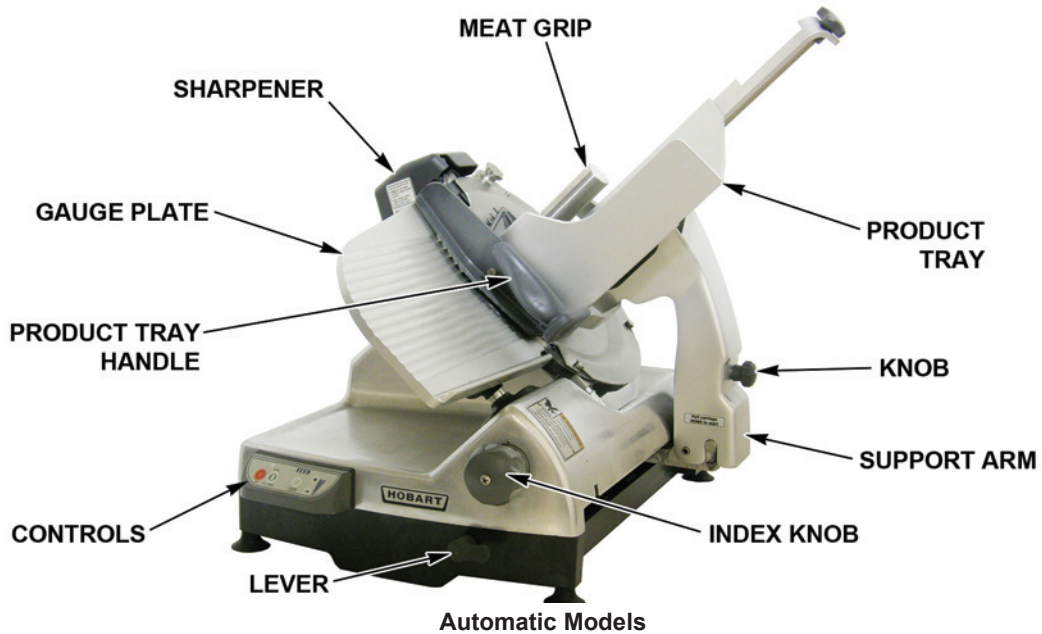


Fig. 1

FEATURES

- No Volt Release – requires the slicer to be restarted after a power interruption.
- Gauge Plate Interlock – prevents the Product Tray (Fig. 1) from being tilted or removed unless the Product Tray is in the home position (pulled all the way forward) and the Gauge Plate is closed.
- Home Start – requires the Product Tray (Fig. 1) to be in the home position (pulled all the way forward) before the slicer can be started.
- Close-to-Stop – turns the slicer off when the Gauge Plate is returned to the closed position by turning the Index Knob (Fig. 1) fully clockwise. The slicer also is turned off if the OFF button is pressed.
- Auto-Shutoff – will automatically turn the slicer off if a back-and-forth stroke of the Product Tray has not been made within 30 seconds.

The HS7 and HS9 Series Slicers feature automatic slicing with a choice of four speeds for the Product Tray. The Select-a-Stroke™ feature allows the user to select the exact stroke length to fit the product being sliced. This can increase the slice rate on items needing a shorter stroke.

MODEL	NO VOLT RELEASE	GAUGE PLATE INTERLOCK	HOME START	CLOSE TO STOP	AUTO SHUTOFF	REMOVABLE KNIFE
HS6	Yes	No	No	No	No	Yes
HS6N	Yes	No	No	No	No	No
HS7	Yes	No	Yes	No	No	Yes
HS7N	Yes	No	Yes	No	No	No
HS8	Yes	Yes	Yes	Yes	Yes	Yes
HS8N	Yes	Yes	Yes	Yes	Yes	No
HS9	Yes	Yes	Yes	Yes	Yes	Yes
HS9N	Yes	Yes	Yes	Yes	Yes	No

ACCESSORIES AND OPTIONS

- Fences – The fence clamps on the Product Tray to limit product movement during slicing.
- Food Chute – Clamps on the Product Tray to limit movement of product during slicing (for tomatoes, onions or similar items).
- Deflector – Assists in deflecting sliced product to the platter during slicing. The Deflector fits on the Deflector Bracket located on the Sharpener Mount.

INSTALLATION

UNPACKING

The slicer was inspected before leaving the factory. The carrier assumes full responsibility for safe delivery upon acceptance of the shipment. Check for possible shipping damage immediately after receipt.

If the slicer is found to be damaged, complete the following steps:

1. Carrier must be notified within five business days of receipt.
2. Carrier's local terminal must be notified immediately upon discovery (note the time, date, and who was spoken to), and follow up and confirm with written or electronic communication.
3. All original packing materials must be kept for inspection purposes.
4. The slicer cannot have been moved, installed, or modified.
5. Notify Hobart customer care at (800) 333-7447.

Prior to installing the slicer, test the electrical service to ensure it agrees with the specifications on the machine data plate. The data plate is located on the left side of the slicer base.

ELECTRICAL CONNECTIONS

⚠ WARNING The electrical cord on this machine is equipped with a three-pronged grounding plug which must be connected to a properly grounded receptacle. If the receptacle is not the proper grounding type, contact an electrician. Do not remove the grounding prong from the plug.

LOCATION

Place the slicer on a suitable counter or tabletop. Allow enough space around the slicer so the carriage can move freely forward and back.

ASSEMBLY

The Product Tray (Fig. 1) must be installed.

To install the Product Tray on the slicer, lower the bottom of the Support Arm onto the Carriage Hinge Pins (Fig. 2). Tilt the Product Tray toward the Gauge Plate. Turn the Knob on the Support Arm until it is tight against the Support Arm.

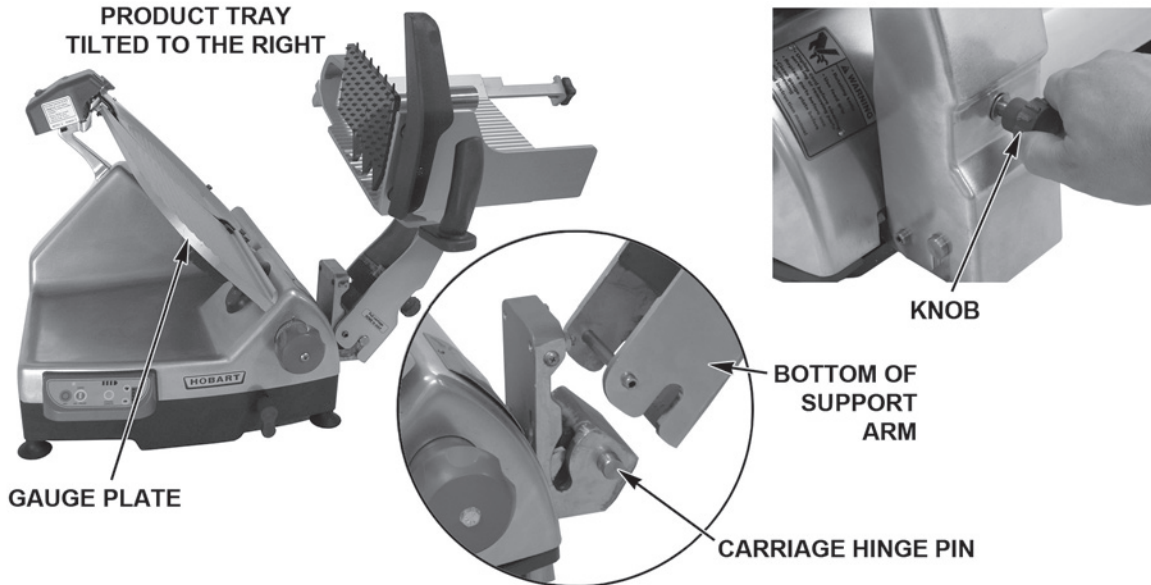


Fig. 2

CLEAN BEFORE USING

The slicer must be thoroughly cleaned and sanitized after installation and before being used. See Cleaning.

OPERATION

⚠ WARNING Rotating knife. Use meat grip. Unplug machine power cord before cleaning, servicing or removing parts. Replace parts before use.

SLICING IN MANUAL MODE (HS6 AND HS8 SERIES)

- Close the Gauge Plate (Fig. 1) by turning the Index Knob (Fig. 1) fully clockwise.
- Pull the Product Tray (Fig. 1) toward the operator until it reaches its stop. This is the home position.
- Raise the Meat Grip (Fig. 1) to the top of the Product Tray to rest in the Meat Grip Slot.
- Place the product to be sliced against the Gauge Plate (Fig. 1) on the Product Tray (Fig. 1).
- Set the Meat Grip against the product, or use the Fence or Food Chute if desired. Refer to Accessories & Options on page 4.
- Turn the slicer on by pressing the KNIFE ON button (Fig. 3).
- Adjust the Gauge Plate to obtain the desired slice thickness by turning the Index Knob counterclockwise. The numbers on the Index Knob do not indicate actual measurements but may be used for reference to duplicate slice thickness.
- Use the Product Tray Handle (Fig. 1) to push and pull the Product Tray back and forth to slice. When finished, pull the Product Tray forward until it stops. Turn the Index Knob fully clockwise to close the Gauge Plate, this will turn the slicer off. The OFF Button (Fig. 3) can also be pressed to stop the slicer.
- Raise the Meat Grip to the top of the Product Tray to rest in the Meat Grip Slot.

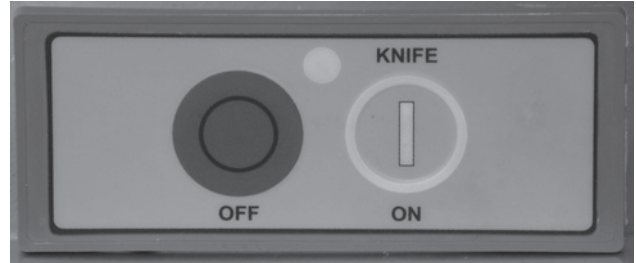
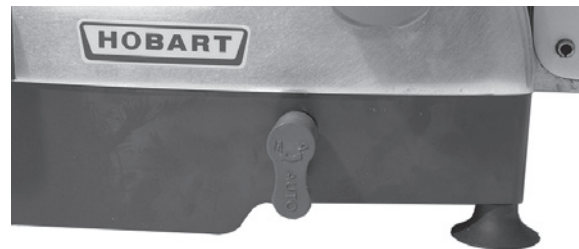


Fig. 3

SLICING IN MANUAL MODE (HS7 AND HS9 SERIES)

- Close the Gauge Plate (Fig. 1) by turning the Index Knob (Fig. 1) fully clockwise.
- Ensure Lever (Fig. 4) is in the down position for manual mode.
- Pull the Product Tray (Fig. 1) toward the operator until it reaches its stop. This is the home position.
- Raise the Meat Grip (Fig. 1) to the top of the Product Tray to rest in the Meat Grip Slot.
- Place the product to be sliced against the Gauge Plate (Fig. 1) on the Product Tray (Fig. 1).
- Set the Meat Grip against the product, or use the Fence or Food Chute if desired. Refer to Accessories & Options on page 4.



LEVER DOWN (MANUAL MODE)

Fig. 4

- Turn the slicer on by pressing the KNIFE ON button (Fig. 5).
- Adjust the Gauge Plate to obtain the desired slice thickness by turning the Index Knob counterclockwise. The numbers on the Index Knob do not indicate actual measurements but may be used for reference to duplicate slice thickness.
- Use the Product Tray Handle (Fig. 1) to push and pull the Product Tray back and forth to slice. When finished, pull the Product Tray forward until it stops. Turn the Index Knob fully clockwise to close the Gauge Plate. This will turn the slicer off. The OFF Button (Fig. 5) can also be pressed to stop the slicer.
- Raise the Meat Grip to the top of the Product Tray to rest in the Meat Grip Slot.

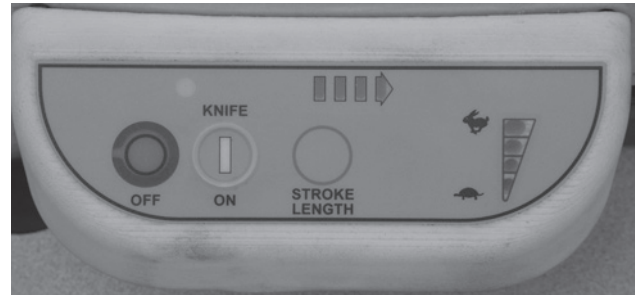


Fig. 5

SLICING IN AUTOMATIC MODE (HS7 AND HS9 SERIES)

- Close the Gauge Plate (Fig. 1) by turning the Index Knob (Fig. 1) fully clockwise.
- Ensure Lever (Fig. 4) is in the down position for manual mode.
- Pull the Product Tray (Fig. 1) toward the operator until it reaches its stop. This is the home position.
- Raise the Meat Grip (Fig. 1) to the top of the Product Tray to rest in the Meat Grip Slot.
- Place the product to be sliced against the Gauge Plate (Fig. 1) on the Product Tray (Fig. 1).
- Set the Meat Grip against the product, or use the Fence or Food Chute if desired. Refer to Accessories & Options on page 4.
- Lift the Lever (Fig. 6) to the up position for automatic mode.
- Select one of the four speeds for the Product Tray to move back and forth. Press the Rabbit symbol (Fig. 5) to increase speed; press the Turtle symbol (Fig. 5) to decrease speed. The speed indicator, located to the right of the symbols, shows which speed is selected. The speed can be changed at any time.
- Select a stroke length for the Product Tray to move back and forth. Press the STROKE LENGTH button (Fig. 5) to toggle through the lengths. The indicator above the button shows the length. More lights equal a longer stroke. The stroke length can be changed at any time.
- Turn the slicer on by pressing the KNIFE ON button (Fig. 5).
- Adjust the Gauge Plate to obtain the desired slice thickness by turning the Index Knob counterclockwise. The numbers on the Index Knob do not indicate actual measurements but may be used for reference to duplicate slice thickness.
- When finished, turn the Index Knob fully clockwise to close the Gauge Plate or press the KNIFE ON button (Fig. 5) to stop the slicer. This will stop the slicer and return the Product Tray to the home position.



LEVER UP (AUTOMATIC MODE)

Fig. 6

NOTE: The OFF button can be pressed to stop the slicer. The Product Tray will stop moving immediately. Lower the Lever (Fig. 4) and pull the Product Tray toward the operator to the home position.

- Raise the Meat Grip to the top of the Product Tray to rest in the Meat Grip Slot.

CLEANING

⚠ WARNING Unplug the machine power cord and turn the index knob fully clockwise to close the gauge plate before cleaning the slicer.

⚠ WARNING The slicer knife is very sharp. Exercise extreme caution when working near the knife.

This machine must be thoroughly cleaned and sanitized at least as often as required by local regulation or after being idle for an extended period of time.

NOTE: Sanitizer concentration shall comply with Section 4-501.114, *Manual and Mechanical Warewashing Equipment, Chemical Sanitization – Temperature, pH, Concentration, and Hardness* of the FDA Food Code. If a chemical sanitizer other than chlorine, iodine, or quaternary ammonium is used, it shall be applied in accordance with the EPA-registered label use instructions.

For general cleaning, use a clean cloth soaked in mild detergent and warm water, and wipe all surfaces of the machine especially where food or liquids can accumulate. Be sure to wipe any surface where there is frequent hand contact including handles, knobs, and the control pad. Use generous amounts of soapy water and sanitizer on the Sharpener Mount hardware. Rinse using a fresh cloth and clean water. Apply sanitizing solution to clean surfaces. Make sure the slicer is clean of all food soil before sanitizing. Use only products formulated to be safe on stainless steel or aluminum. DO NOT exceed chemical manufacturer's recommended concentrations for detergent or sanitizer.

CLEANING SURFACE AND PARTS

Frequency – The slicer shall be cleaned and sanitized at intervals to comply with national, state, and/or local health codes.

DISASSEMBLY FOR CLEANING

In order to clean the slicer thoroughly, it is necessary to disassemble the slicer. It is recommended that all parts be removed, cleaned, sanitized, and allowed to dry before re-assembling for use.

Sharpener

- The Sharpener (Fig. 7) is mounted on top of the slicer.
- Remove the Sharpener by lifting straight up.

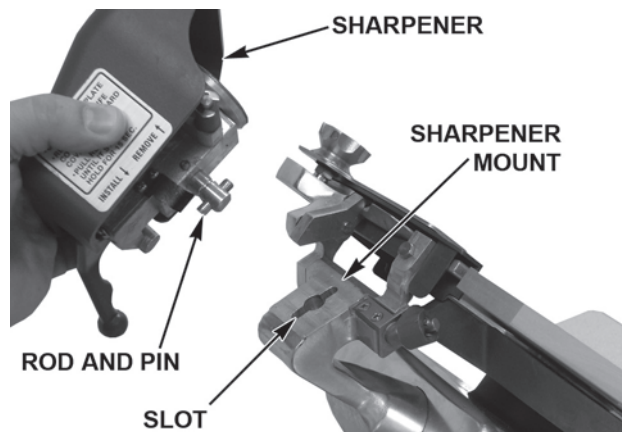


Fig. 7

Meat Grip

- The Meat Grip (Fig. 8) is mounted on the Product Tray and can be removed for ease of cleaning.
- Remove the Meat Grip by loosening the Meat Grip Slide Rod from the Product Tray while holding the Meat Grip Handle.
- Pull the Meat Grip Slide Rod from the Meat Grip Handle and Product Tray.
- Loosen the Meat Grip Handle (Fig. 9) and remove the Handle, Meat Grip Arm, and Washer from the Meat Grip.

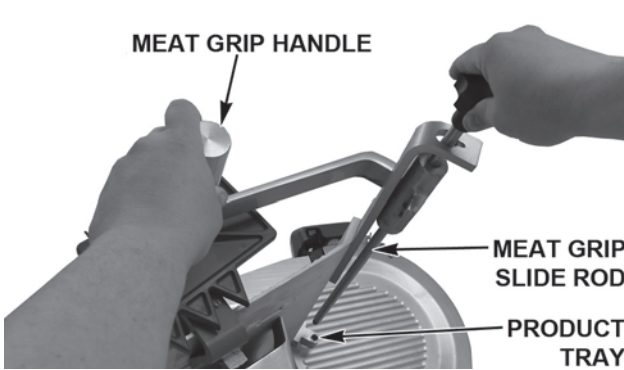


Fig. 8

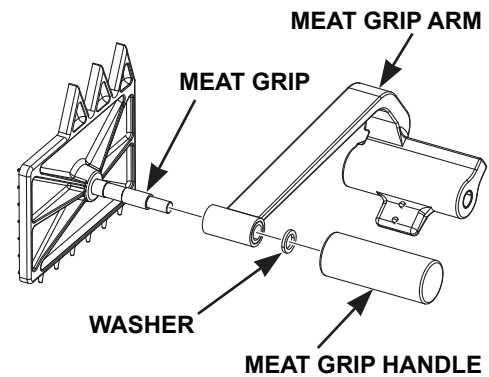


Fig. 9

Product Tray

- To clean the Product Tray, make sure the Gauge Plate is closed.
- Pull the Product Tray toward the operator until it stops.
- Loosen the Knob (Fig. 10) on the Support Arm. Tilt the Product Tray to the right (Fig. 10).
- The Product Tray can be cleaned in this open position, or it can be removed by grasping with both hands and lifting straight up.

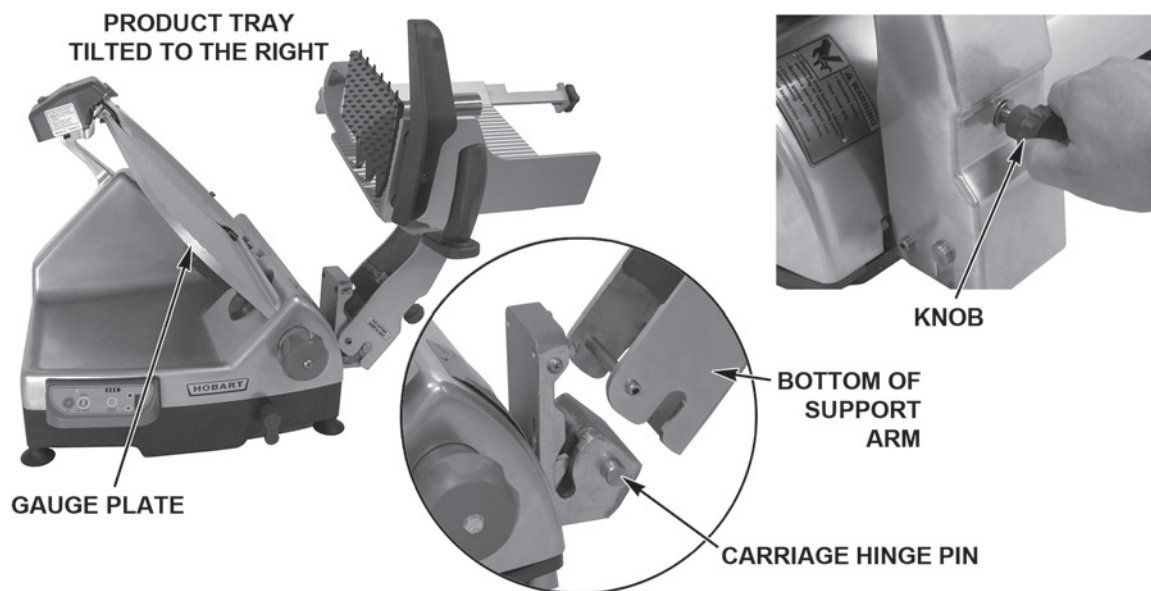


Fig. 10

Top Knife Cover and Ring Guard Cover

- Remove the Top Knife Cover (Fig. 11) by pulling on the Latch Knob. The Top Knife Cover is held in place by a magnet under the Latch Knob.
- Remove the plastic Ring Guard Cover (Fig. 11) by lifting up.

Knife (Removable – HS6, HS7, HS8, and HS9)

⚠ WARNING The slicer knife is very sharp. Exercise extreme caution when working near the knife.

- Ensure the gauge plate is closed, then rotate the Knife by hand to align the arrow on the Knife with the Pin on the Ring Guard at the 1 o'clock position (Fig. 12). The ridge on the Knife Hub will also align with the same pin.
- The Pin (Fig. 13) on the Knife Removal Tool fits the hole in the Knife at the 11 o'clock position (Fig. 13).



Fig. 11

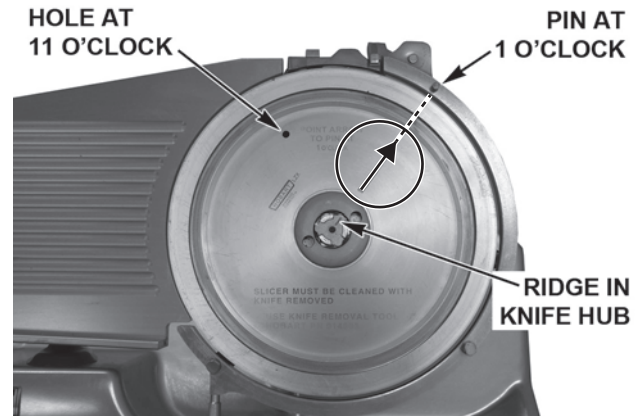


Fig. 12

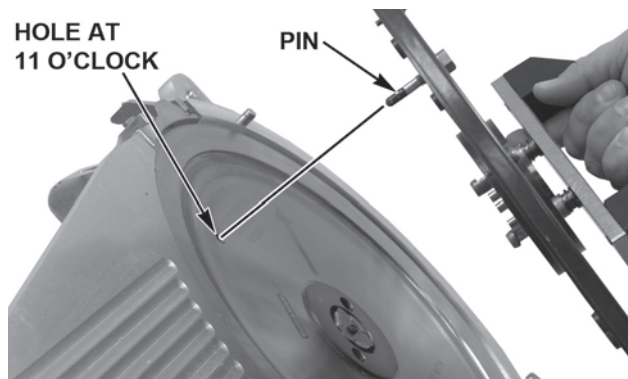


Fig. 13

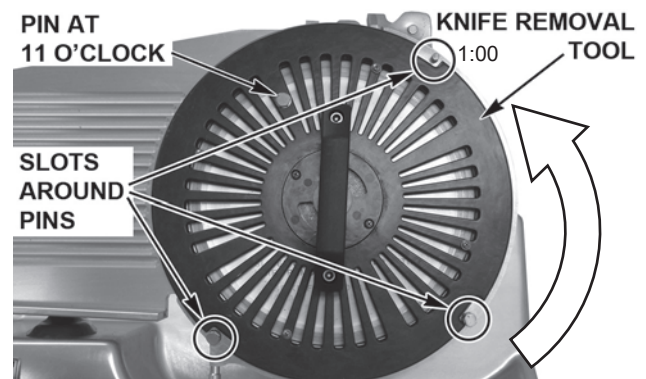


Fig. 14

- Place the Knife Removal Tool on the Knife (Fig. 14). The three slots on the Tool fit the three Pins on the Ring Guard (Fig. 14).
- Push the Handle firmly, all the way into the hub. Then, turn the Handle counterclockwise until it stops (Fig. 15). Some resistance may be experienced when turning.
- Lift Knife and Tool up and out (Fig. 15).

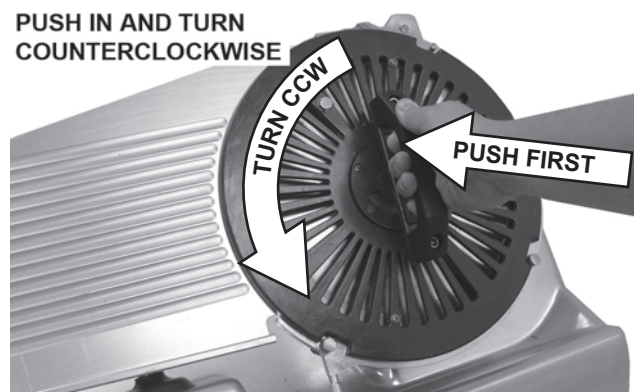


Fig. 15

CLEANING

Sharpener

- Wipe out any residue remaining inside the Sharpener housing.
- Wash, rinse, and sanitize the Sharpener in a sink or dishwasher.

Meat Grip

- The Meat Grip can be washed, rinsed, and sanitized in a sink.

Product Tray

- The Product Tray can be washed, rinsed, and sanitized in a sink.
- Clean the Product Tray pin with the brush as shown (Fig. 16).

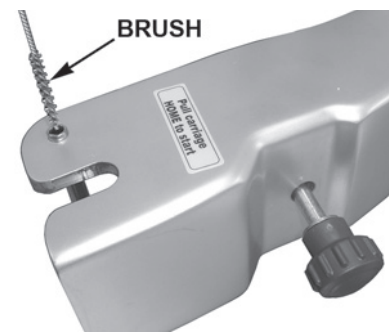


Fig. 16

Top Knife Cover and Ring Guard

- Wash, rinse, and sanitize the Top Knife Cover and the plastic Ring Guard Cover in a sink or dishwasher.

Knife (Removable)

NOTE: Always carry Knife Removal Tool and Knife by Tool Handle.

- Wash, rinse, and sanitize the Knife and Knife Removal Tool in a sink or dishwasher.

Knife (Non-Removable)

⚠ WARNING The slicer knife is very sharp. Exercise extreme caution when working near the knife.

- Clean completely around the Ring Guard by working a moistened, folded paper towel between the Ring Guard and the Knife (Fig. 17).
- Wash, rinse, and sanitize both sides of the Knife by wiping outward from the center. Never clean any part of the slicer with steel pads.

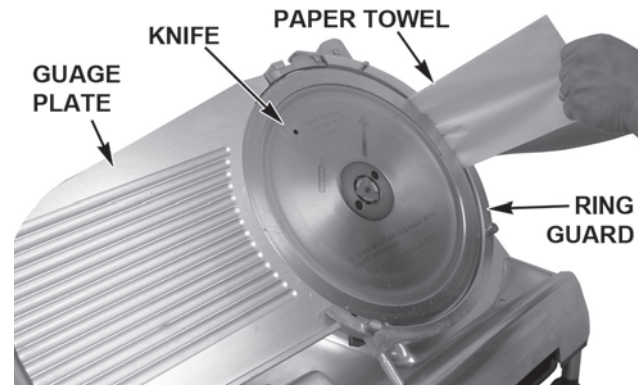


Fig. 17

Under the Slice

The HS6 and HS8 Series Slicers are equipped with a Cleaning Leg (Fig. 18) to assist in cleaning under the slicer. To engage the Cleaning Leg, lift the front of the slicer base. The Cleaning Leg will swing straight down. Pull the Cleaning Leg all the way to the front so the slicer is completely supported before cleaning underneath.

The HS7 and HS9 Series Slicers are equipped with Gas Assist Spring (Fig. 19) to assist in cleaning under the slicer. To raise the slicer, place hands under the front of the base and lift up until it stops. The spring will hold the slicer in position for cleaning. Push down base of the slicer to lower the slicer.

NOTE: Do not lift or lower the slicer with the control panel.



Fig. 18



Fig. 19

REASSEMBLY AFTER CLEANING

After all components have been cleaned, sanitized, and allowed to dry, the slicer can be reassembled for use.

Knife (Removable with Knife Removal Tool)

- Orient the Knife Hub mark to the arrow as shown (Fig. 20), so it points to the Pin on the Ring Guard at the 1 o'clock position (Fig. 20).

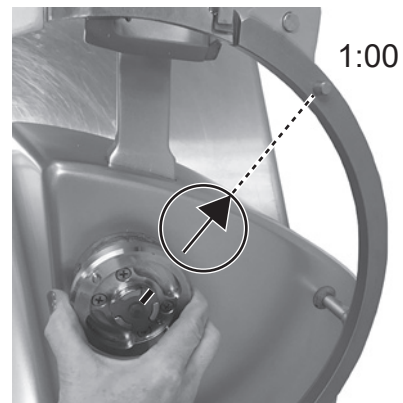


Fig. 20

- Place the Knife and Tool so the Pin on the Knife Removal Tool is at the 11 o'clock position (Fig. 21).
- Place the Slots on the Knife Removal Tool fit around the three Pins on the Ring Guard (Fig. 21).

NOTE: If the Tool does not push the pins on the back of the Knife into the Hub, slightly nudge the Handle upwards to lock the pins into the Knife Nut.

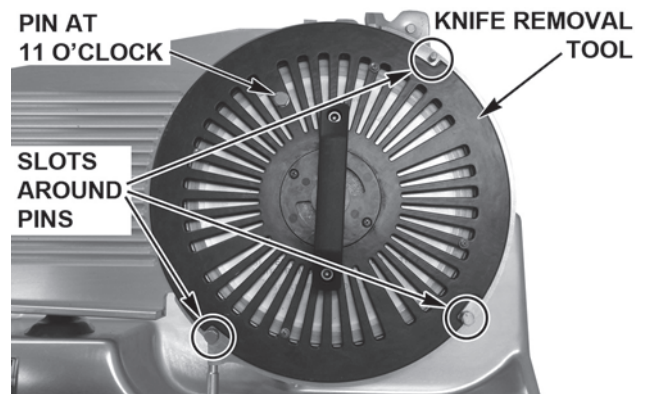


Fig. 21

- Push the Handle firmly (Fig. 22), all the way into the Hub to engage the pins. Then, turn the Handle clockwise until it stops. Some resistance may be experienced when turning.
- The Knife is reattached. Lift the Tool up and out.

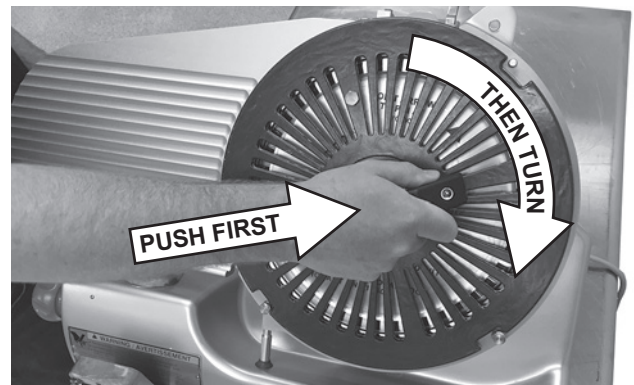


Fig. 22

Ring Guard Cover and Top Knife Cover

- Install the Ring Guard Cover on the three Guide Pins (Fig. 23).
- Position the Top Knife Cover (Fig. 24) on the lower two Guide Pins and lower the Latch Knob until the magnet secures the Top Knife Cover in place.

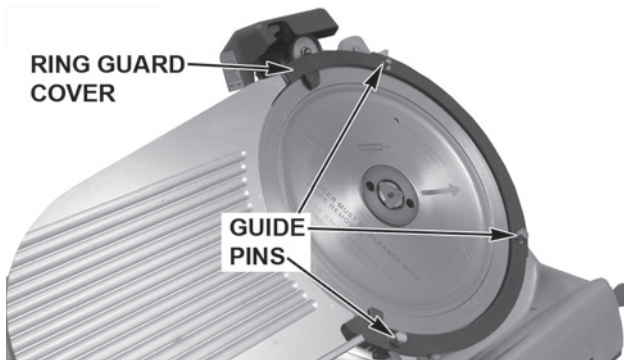


Fig. 23



Fig. 24

Product Tray

- Lower the bottom of the Support Arm onto the Carriage Hinge Pins (Fig. 25).
- Tilt the Product Tray toward the Gauge Plate.
- Turn the Knob on the Support Arm until it is tight against the Support Arm.

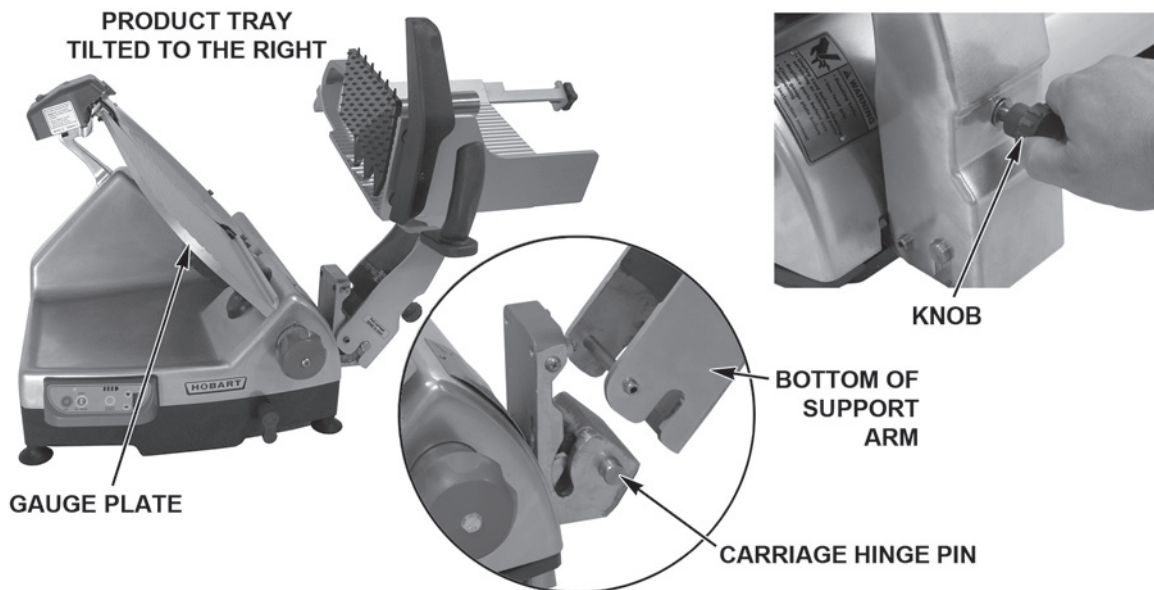


Fig. 25

Meat Grip

- Assemble the Meat Grip Assembly (Fig. 26) by placing the Washer, Meat Grip Arm, and Meat Grip Handle on the shaft of the Meat Grip.
- Tighten the Handle.
- Install the Meat Grip Assembly (Fig. 27) on the Product Tray by sliding the Meat Grip Slide Rod into the Meat Grip Handle and Product Tray.
- Tighten the Meat Grip Slide Rod into the Product Tray.
- Lubricate the Meat Grip Slide Rod. See Maintenance.

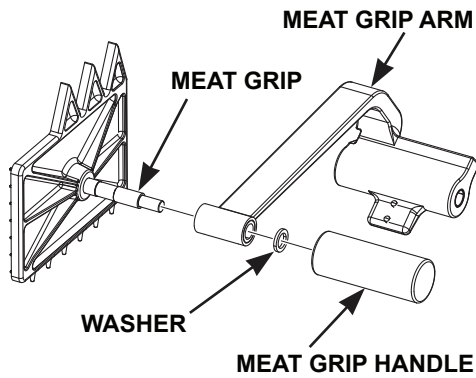


Fig. 26



Fig. 27

Sharpener

- Install the Sharpener by lowering it back onto the Sharpener Mount so the Rod and Pin on the bottom of the Sharpener fit the Slot in the Sharpener Mount (Fig. 28).
- To use the Sharpener, see Maintenance.

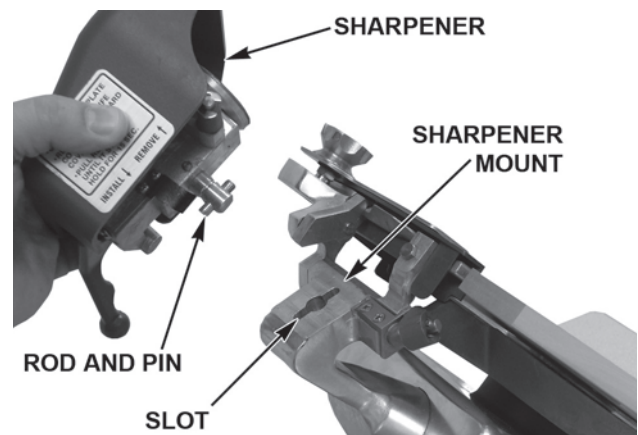


Fig. 28

GASKET INSPECTION

The interval between inspections shall not exceed six months.

The inspection (Fig. 29) must be made by the manufacturer or an authorized service agent.

⚠ WARNING The slicer must be removed from service until repaired by the manufacturer or an authorized service agent if any gasket or seal is found to be damaged or missing.

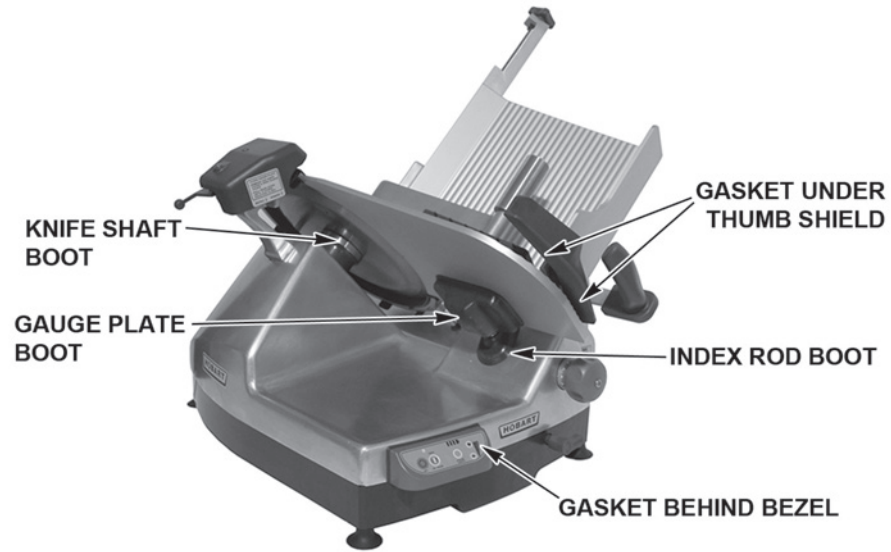


Fig. 29

MAINTENANCE

⚠ WARNING Unplug the machine power cord and turn the index knob fully clockwise to close the gauge plate before doing any maintenance on the slicer.

KNIFE SHARPENING

The CleanCut™ Knife will provide long service in normal food retail or commercial kitchen use.

NOTICE Sharpen only when necessary. Prolonged or sharpening too frequently results in unnecessary Knife wear.

Remove the Top Knife Cover by pulling on the Latch Knob. The Top Knife Cover is held in place with a strong magnet under the Latch Knob. Remove the plastic Ring Guard Cover (Fig. 30) by lifting up.

Clean and sanitize the slicer as outlined in the cleaning section before sharpening the knife. Food debris must not be allowed to transfer from the Knife to the Sharpener. Plug in the machine power cord.

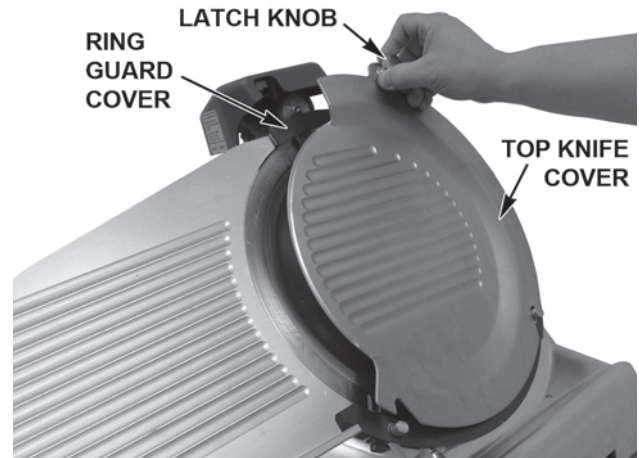


Fig. 30

Press and hold the KNIFE ON button for 15 seconds (Fig. 31) while pulling the Sharpener Lever fully forward (Fig. 31). After 15 seconds, release the Sharpener Lever and press the OFF button. Unplug the machine power cord. Clean and sanitize the slicer as outlined in the cleaning section after sharpening the knife. Install the plastic Ring Guard Cover and the Top Knife Cover (Fig. 30).



Fig. 31

LUBRICATION — CARRIAGE SLIDE ROD

Lubricate the Carriage Slide Rod with Lubriplate FMO-200-AW oil (supplied). Once monthly, apply 4 - 5 drops directly onto the Carriage Slide Rod on each side of the Carriage Transport (Fig. 32).

To apply oil, pull out the telescoping tube on the oil bottle, aim the tube, and squeeze gently on the sides of the bottle. After applying oil, move the Carriage Tray back and forth a few times so the oil spreads over the entire length of the slide rod.

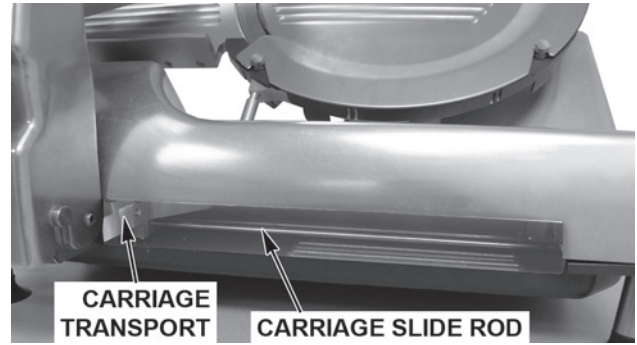


Fig. 32

LUBRICATION — MEAT GRIP SLIDE ROD

The Meat Grip Slide Rod can be lubricated periodically or when any resistance is felt while using the Meat Grip assembly (Fig. 33). First, wipe the Meat Grip Slide Rod so the lubrication is applied to a clean, dry surface. Next, gently squeeze a small amount of the provided Lubriplate oil on the rod. Then slide the Meat Grip up and down the rod to restore smooth operation.

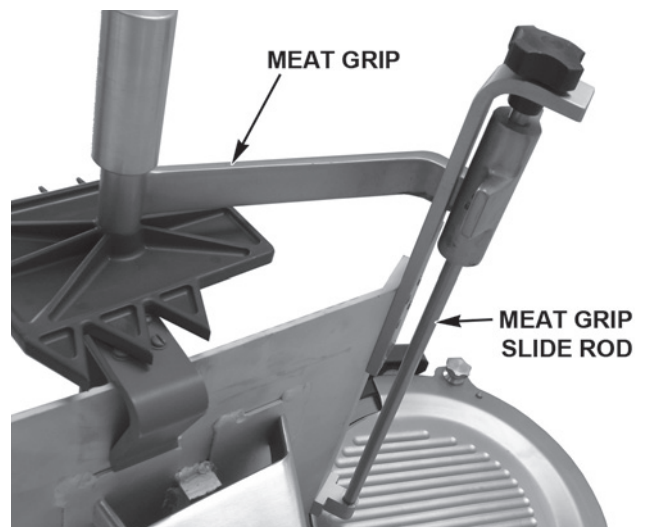


Fig. 33

SERVICE

Contact your local Hobart-authorized service office for any repairs or adjustments needed on the slicer.

TRANCHEUSES SÉRIE HS

MODÈLE

Trancheuse manuelle

HS6

HS6N

HS6 (Canada)

HS6N (Canada)

HS8

HS8N

HS8 (Canada)

HS8N (Canada)

Trancheuse automatique

HS7

HS7N

HS7 (Canada)

HS7N (Canada)

HS7 (Japan)

HS7N (Japan)

HS9

HS9N

HS9 (Canada)

HS9N (Canada)



701 S. RIDGE AVENUE
TROY, OHIO 45374-0001

937 332-3000

www.hobartcorp.com

DOCUMENT 35292 Rév. D (mai 2017)

TABLE DES MATIÈRES

PRÉSENTATION.....	3
Caractéristiques.....	4
Accessoires et options.....	4
INSTALLATION.....	5
Déballage.....	5
Connexions électriques.....	5
Localisation.....	5
Montage.....	5
Nettoyage avant utilisation.....	5
FONCTIONNEMENT.....	6
Tranchage en mode manuel (série HS6 et HS8).....	6
Tranchage en mode manuel (série HS7 et HS9).....	6
Tranchage en mode automatique (série HS7 et HS9).....	7
NETTOYAGE.....	8
Nettoyage de la surface et de pièces.....	8
Démontage pour nettoyage.....	8
Affûteur.....	9
Pousse talon.....	9
Plateau.....	9
Cache du couteau et protège lame.....	10
Couteau (amovible – HS6, HS7, HS8 et HS9).....	10
Nettoyage.....	11
Affûteur.....	11
Pousse talon.....	11
Plateau.....	11
Cache du couteau et protège lame.....	11
Couteau (amovible).....	11
Couteau (non amovible).....	11
Sous la trancheuse.....	11
Remontage après nettoyage.....	12
Couteau (amovible avec extracteur).....	12
Protège lame et cache du couteau.....	12
Plateau.....	13
Pousse talon.....	13
Affûteur.....	14
Vérification du joint.....	14
ENTRETIEN.....	15
AFFÛTAGE DU COUTEAU.....	15
LUBRIFICATION — Tige coulissante du chariot.....	16
LUBRIFICATION - Tige coulissante du pousse talon.....	16
RÉPARATION.....	16

Installation, fonctionnement et entretien des trancheuses de série HS

CONSERVER CES INSTRUCTIONS

PRÉSENTATION

Les trancheuses de série HS sont équipées d'un moteur $\frac{1}{2}$ cv et fonctionnent en courant monophasé. Une lame en acier inoxydable Hobart CleanCut™ d'un diamètre de 33 cm (13") est installée sur la trancheuse. Elle est dotée d'un cordon d'alimentation et d'une prise électrique.

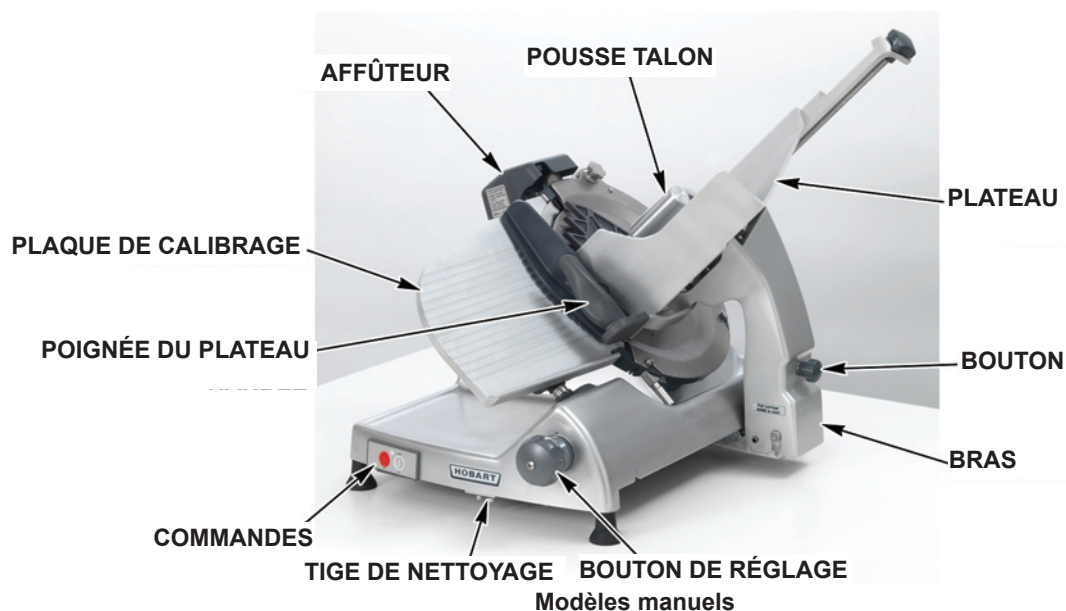
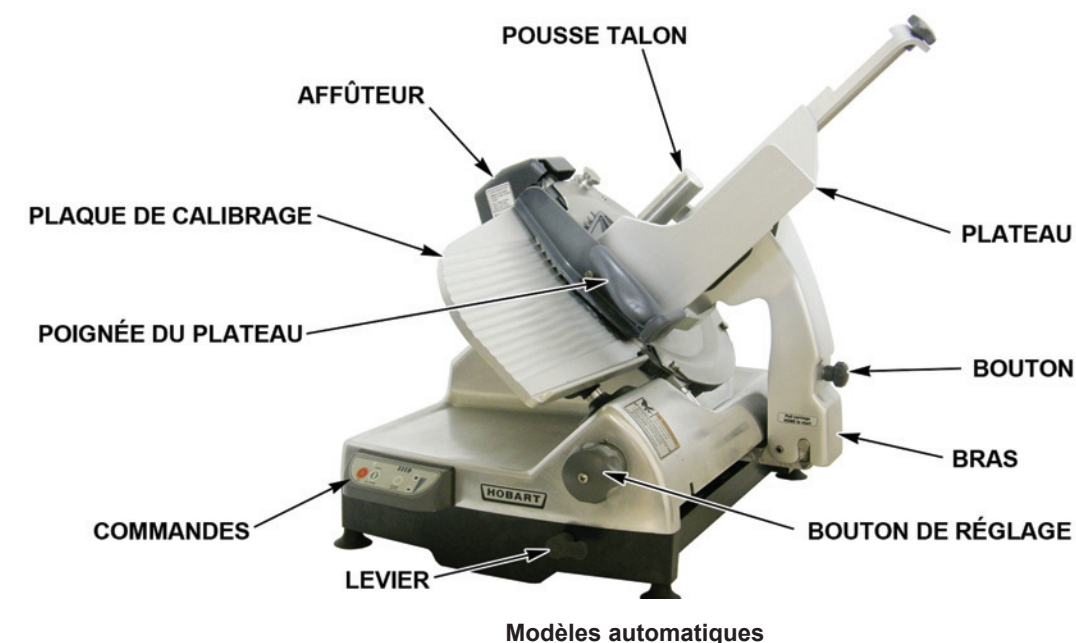


Fig. 1

CARACTÉRISTIQUES

- Système de sécurité en cas d'absence de tension – la trancheuse doit être redémarrée après une coupure de courant.
- Verrouillage de plaque de calibrage – empêche d'incliner ou de retirer le plateau (Fig. 1) sauf si ce dernier est en position de base (complètement vers l'avant) et que la plaque de calibrage est fermée.
- Démarrage depuis la base – le plateau (Fig. 1) doit être en position de base (complètement vers l'avant) avant de pouvoir mettre la trancheuse en marche.
- Réglage arrêt - éteint la trancheuse après avoir tourner le bouton de réglage (Fig. 1) au maximum dans le sens des aiguilles d'une montre pour mettre la plaque de calibrage en position d'arrêt. La trancheuse s'éteint aussi en appuyant sur le bouton « OFF ».
- Arrêt automatique – arrête automatiquement la trancheuse s'il n'y a pas eu de mouvement de va-et-vient du plateau pendant 30 secondes.

Sur les modèles HS7 et HS9, le tranchage est automatique avec quatre vitesses pour le plateau. L'option Select-a-Stroke™ permet à l'utilisateur de sélectionner la longueur exacte de la course correspondant au produit à trancher. Il est ainsi possible d'augmenter le nombre de tranches avec les courses courtes.

MODÈLE	SYSTÈME DE SÉCURITÉ EN CAS D'ABSENCE DE TENSION	VERROUIL- LAGE DE PLAQUE DE CALIBRAGE	DÉMARRAGE DEPUIS LA BASE	RÉGLAGE ARRÊT	ARRÊT AUTOMA- TIQUE	COUTEAU AMOVIBLE
HS6	Oui	Non	Non	Non	Non	Oui
HS6N	Oui	Non	Non	Non	Non	Non
HS7	Oui	Non	Oui	Non	Non	Oui
HS7N	Oui	Non	Oui	Non	Non	Non
HS8	Oui	Oui	Oui	Oui	Oui	Oui
HS8N	Oui	Oui	Oui	Oui	Oui	Non
HS9	Oui	Oui	Oui	Oui	Oui	Oui
HS9N	Oui	Oui	Oui	Oui	Oui	Non

ACCESSOIRES ET OPTIONS

- Protections – La protection limite les mouvements du produit sur le plateau pendant le tranchage.
- Trémie – Se fixe sur le plateau pour limiter le mouvement du produit pendant le tranchage (pour les tomates, oignons ou aliment similaire).
- Déflecteur – Permet d'envoyer le produit tranché vers le plat pendant le tranchage. Le déflecteur s'installe sur le support du déflecteur localisé sur le support de l'affûteur.

INSTALLATION

DÉBALLAGE

La trancheuse a été inspectée avant de quitter l'usine. La société de transport assume l'entière responsabilité de livrer en bon état la marchandise avant son acceptation. Sur réception, vérifiez immédiatement s'il y a présence de dommages ayant pu être causés par la livraison.

Si la trancheuse s'avère endommagée, suivez les étapes ci-dessous :

1. La société de transport doit être avisée dans les cinq jours ouvrables suivant la réception.
2. Le terminus local de la société de transport doit être immédiatement avisé des dommages constatés (notez l'heure, la date et le nom de l'interlocuteur), et assurez le suivi et la confirmation par écrit et par courriel.
3. Les matériaux d'emballage d'origine doivent être conservés à des fins d'inspection.
4. La trancheuse ne doit pas avoir été déplacée, installée ou modifiée.
5. Avisez le service à la clientèle de Hobart au (800) 333-7447.

Avant d'installer la trancheuse, vérifiez l'installation électrique. Elle doit être conforme avec les spécifications indiquées sur la plaque d'identification de la machine. La plaque d'identification se trouve sur le côté gauche de la base de la trancheuse.

CONNEXIONS ÉLECTRIQUES

 AVERTISSEMENT Le cordon électrique de cette machine est équipé d'une prise de terre à trois broches qui doit être branchée dans une prise appropriée. Si la prise ne correspond pas à ce type de branchement, contactez un électricien. Ne retirez pas les broches de mise à la terre de la prise.

LOCALISATION

Placez la trancheuse sur un comptoir ou un plan de travail approprié. Laissez suffisamment d'espace autour de la trancheuse pour que le chariot puisse effectuer le mouvement de va-et-vient sans contrainte.

MONTAGE

Le plateau (Fig. 1) doit être installé.

Pour installer le plateau sur la trancheuse, abaissez le bas du bras sur les axes de charnière du chariot (Fig. 2). Inclinez le plateau vers la plaque de calibrage. Tournez le bouton sur le bras jusqu'à ce qu'il soit suffisamment serré contre le bras.

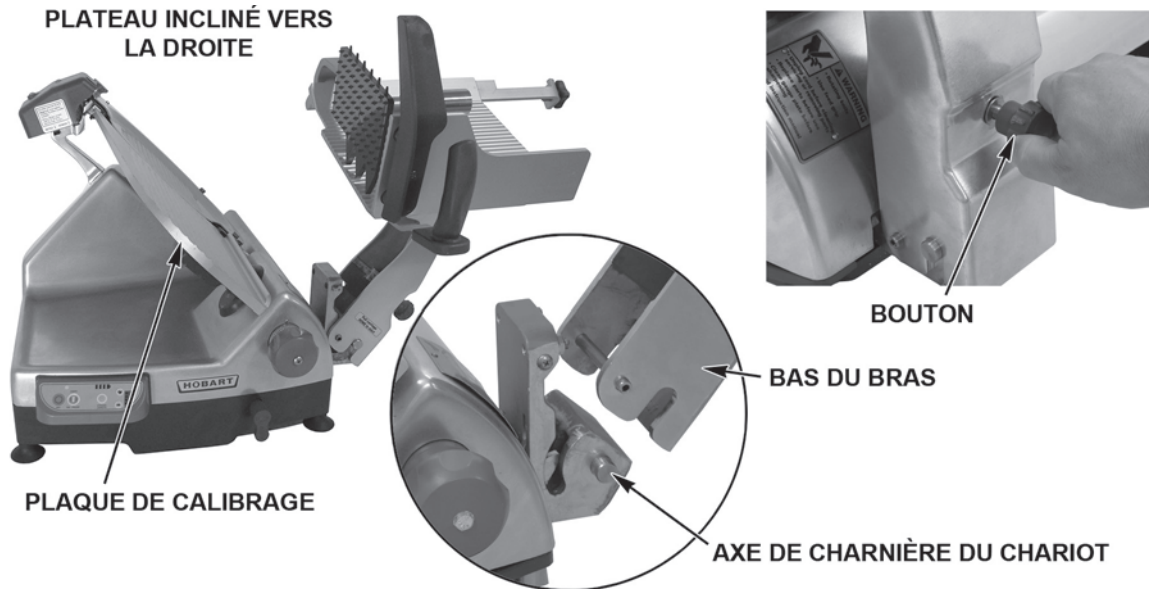


Fig. 2

NETTOYAGE AVANT UTILISATION

La trancheuse doit être nettoyée à fond et désinfectée après l'installation et avant chaque utilisation. Voir la rubrique Nettoyage.

FONCTIONNEMENT

⚠ AVERTISSEMENT Couteau rotatif. Utilisez le pousse talon. Débranchez le cordon d'alimentation de la machine avant de la nettoyer, de la réparer ou de retirer les pièces. Remplacez les pièces avant l'utilisation.

TRANCHAGE EN MODE MANUEL (SÉRIE HS6 ET HS8)

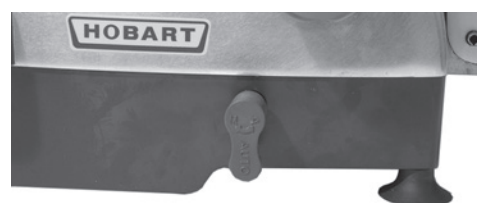
- Fermez la plaque de calibrage (Fig. 1) en tournant le bouton de réglage (Fig. 1) au maximum dans le sens des aiguilles d'une montre.
- Tirez le plateau (Fig. 1) vers soi jusqu'à ce qu'il soit en butée. Il s'agit de la position de base.
- Soulevez le pousse talon (Fig. 1) en haut du plateau pour le ranger dans la fente.
- Placez le produit à trancher contre la plaque de calibrage (Fig. 1) sur le plateau (Fig. 1).
- Placez le pousse talon contre le produit ou, le cas échéant, utilisez la protection ou l'entonnoir. Voir la rubrique Accessoires et options, page 3.
- Tournez la trancheuse en appuyant sur le bouton « KNIFE ON » (Fig. 3).
- Ajustez la plaque de calibrage pour obtenir l'épaisseur de tranche désirée en tournant le bouton de réglage dans le sens inverse des aiguilles d'une montre. Les chiffres sur le bouton de réglage n'indiquent pas les mesures réelles. Ils peuvent cependant être utilisés comme référence pour reproduire l'épaisseur des tranches.
- Utilisez la poignée du plateau (Fig. 1) pour pousser et tirer le plateau d'avant en arrière afin de trancher. Une fois terminé, tirez le plateau en avant jusqu'à ce qu'il soit en butée. Tournez le bouton de réglage au maximum dans le sens des aiguilles d'une montre pour fermer la plaque de calibrage. La trancheuse sera ainsi éteinte. Le bouton « OFF » (Fig. 3) permet aussi d'éteindre la trancheuse.
- Soulevez le pousse talon en haut du plateau pour le ranger dans la fente.



Fig. 3

TRANCHAGE EN MODE MANUEL (SÉRIE HS7 ET HS9)

- Fermez la plaque de calibrage (Fig. 1) en tournant le bouton de réglage (Fig. 1) au maximum dans le sens des aiguilles d'une montre.
- Assurez-vous que le levier (Fig. 4) est vers le bas en mode manuel.
- Tirez le plateau (Fig. 1) vers soi jusqu'à ce qu'il soit en butée. Il s'agit de la position de base.
- Soulevez le pousse talon (Fig. 1) en haut du plateau pour le ranger dans la fente.
- Placez le produit à trancher contre la plaque de calibrage (Fig. 1) sur le plateau (Fig. 1).
- Placez le pousse talon contre le produit ou, le cas échéant, utilisez la protection ou l'entonnoir. Voir la rubrique Accessoires et options, page 3.
- Tournez la trancheuse en appuyant sur le bouton « KNIFE ON » (Fig. 5).



LEVIER VERS LE BAS (MODE MANUEL)

Fig. 4

- Ajustez la plaque de calibrage pour obtenir l'épaisseur de tranche désirée en tournant le bouton de réglage dans le sens inverse des aiguilles d'une montre. Les chiffres sur le bouton de réglage n'indiquent pas les mesures réelles. Ils peuvent cependant être utilisés comme référence pour reproduire l'épaisseur des tranches.
- Utilisez la poignée du plateau (Fig. 1) pour pousser et tirer le plateau d'avant en arrière afin de trancher. Une fois terminé, tirez le plateau en avant jusqu'à ce qu'il soit en butée. Tournez le bouton de réglage au maximum dans le sens des aiguilles d'une montre pour fermer la plaque de calibrage. La trancheuse sera ainsi éteinte. Le bouton « OFF » (Fig. 5) permet aussi d'éteindre la trancheuse.
- Soulevez le pousse talon en haut du plateau pour le ranger dans la fente.



Fig. 5

TRANCHAGE EN MODE AUTOMATIQUE (SÉRIE HS7 ET HS9)

- Fermez la plaque de calibrage (Fig. 1) en tournant le bouton de réglage (Fig. 1) au maximum dans le sens des aiguilles d'une montre.
- Assurez-vous que le levier (Fig. 4) est vers le bas en mode manuel.
- Tirez le plateau (Fig. 1) vers soi jusqu'à ce qu'il soit en butée. Il s'agit de la position de base.
- Soulevez le pousse talon (Fig. 1) en haut du plateau pour le ranger dans la fente.
- Placez le produit à trancher contre la plaque de calibrage (Fig. 1) sur le plateau (Fig. 1).
- Placez le pousse talon contre le produit ou, le cas échéant, utilisez la protection ou l'entonnoir. Voir la rubrique Accessoires et options, page 3.
- Levez le levier (Fig. 6) pour passer en mode automatique.
- Sélectionnez une des quatre vitesses pour permettre le va-et-vient du plateau. Sélectionnez le symbole Lapin (Fig. 5) pour augmenter la vitesse. Sélectionnez le symbole Tortue (Fig. 5) pour limiter la vitesse. Le témoin de vitesse à droite des symboles indique la vitesse sélectionnée. La vitesse peut être modifiée en permanence.
- Sélectionnez une longueur de course pour le va-et-vient du plateau. Appuyez sur le bouton « STROKE LENGTH » (Fig. 5) pour changer de longueur. Le témoin lumineux au-dessus du bouton indique la longueur. Plus il est éclairé, plus la course est longue. La longueur de la course peut être modifiée en permanence.
- Tournez la trancheuse en appuyant sur le bouton « KNIFE ON » (Fig. 5).
- Ajustez la plaque de calibrage pour obtenir l'épaisseur de tranche désirée en tournant le bouton de réglage dans le sens inverse des aiguilles d'une montre. Les chiffres sur le bouton de réglage n'indiquent pas les mesures réelles. Ils peuvent cependant être utilisés comme référence pour reproduire l'épaisseur des tranches.
- Une fois terminé, tournez le bouton de réglage au maximum dans le sens des aiguilles d'une montre pour fermer la plaque de calibrage ou appuyez sur le bouton « KNIFE ON » (Fig. 5) pour arrêter la trancheuse. La trancheuse s'arrête et le plateau retourne en position de base.



LEVIER VERS LE HAUT (MODE AUTOMATIQUE)

Fig. 6

REMARQUE : Le bouton « OFF » permet aussi d'éteindre la trancheuse. La plateau s'arrête immédiatement. Abaissez le levier (Fig. 4) et tirez le plateau vers soi en position de base.

- Soulevez le pousse talon en haut du plateau pour le ranger dans la fente.

NETTOYAGE

⚠ AVERTISSEMENT Débranchez le cordon d'alimentation de la machine et tournez le bouton de réglage au maximum dans le sens des aiguilles d'une montre pour fermer la plaque de calibrage avant de nettoyer la trancheuse.

⚠ AVERTISSEMENT Le couteau est très tranchant. Prenez toutes les précautions nécessaires si vous travaillez dans la zone du couteau.

Cette machine doit être nettoyée à fond et désinfectée au moins autant de fois que l'exigent les réglementations locales ou après une longue période d'interruption.

REMARQUE : Le désinfectant concentré doit répondre aux critères de la section Section 4-501.114, *Matériel de lavage de vaisselle mécanique et manuel, désinfection chimique – Température, pH, concentration et exigence de la Loi sur les aliments et drogues FDA*. Si un désinfectant chimique autre que le chlore, l'iode ou l'ammonium quaternaire est utilisé, les instructions d'utilisation présentent sur l'étiquette EPA doivent être respectées.

Pour un nettoyage général, utilisez un chiffon propre imbibé de détergent doux et d'eau chaude. Nettoyez toutes les surfaces de la machine, surtout aux endroits où les aliments ou les liquides peuvent s'accumuler. Nettoyez à fond toutes les zones sur lesquelles les mains se posent comme les poignées, les boutons et le panneau de commande. Utilisez de grandes quantités d'eau savonneuse et de désinfectant sur le matériel de montage de l'affûteur. Rincez avec un chiffon et de l'eau propre. Appliquez la solution désinfectante sur les surfaces propres. Il ne doit rester aucune trace de nourriture avant de désinfecter. Utilisez uniquement les produits adaptés au nettoyage de l'acier inoxydable ou à l'aluminium. NE dépassez PAS les concentrations recommandées par le fabricant pour le détergent ou le désinfectant.

NETTOYAGE DE LA SURFACE ET DE PIÈCES

Fréquence – La trancheuse doit être nettoyée et désinfectée régulièrement pour être en conformité avec les codes sanitaires nationaux, locaux et/ou d'état.

DÉMONTAGE POUR NETTOYAGE

Pour nettoyer à fond la trancheuse, il faut la démonter. Il est recommandé de retirer toutes les pièces, de les nettoyer, de les désinfecter et de les laisser sécher avant de les remonter.

Affûteur

- L'affûteur (Fig. 7) est monté sur le haut de la trancheuse.
- Retirez l'affûteur en le tirant vers le haut.

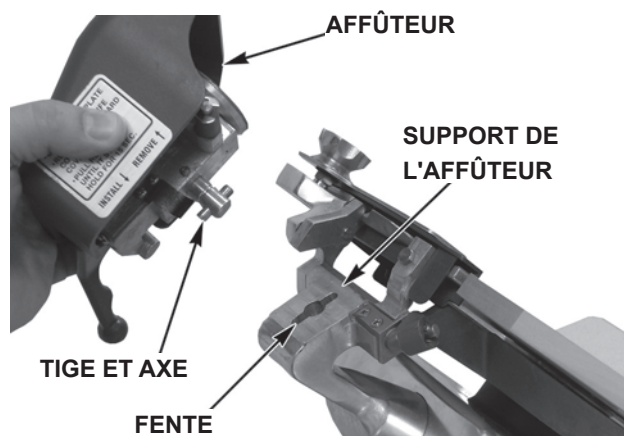


Fig. 7

Pousse talon

- Le pousse talon (Fig. 8) est monté sur le plateau et peut être retiré pour le nettoyage.
- Retirez le pousse talon en desserrant la tige coulissante sur le plateau tout en maintenant la poignée du pousse talon.
- Tirez la tige coulissante de la poignée du pousse talon et du plateau.
- Desserrez la poignée du pousse talon (Fig. 9) et retirez la poignée, le bras et la rondelle du pousse talon.

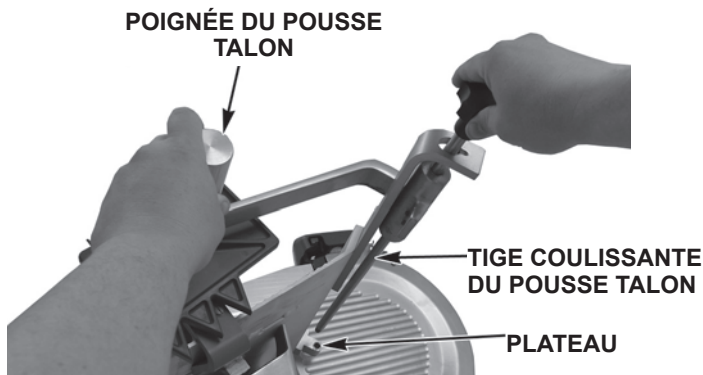


Fig. 8

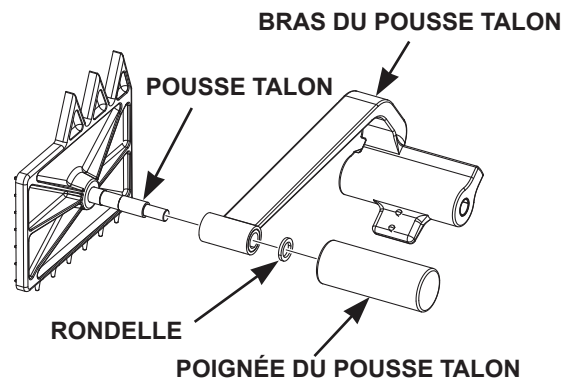


Fig. 9

Plateau

- Pour nettoyer le plateau, la plaque de calibrage doit être fermée.
- Tirez le plateau vers soi jusqu'à ce qu'il soit en butée.
- Desserrez le bouton (Fig. 10) sur le bras. Inclinez le plateau vers la droite (Fig. 10).
- Le plateau peut être nettoyé dans cette position ouverte ou il peut être retiré en le prenant à deux mains et en le soulevant.

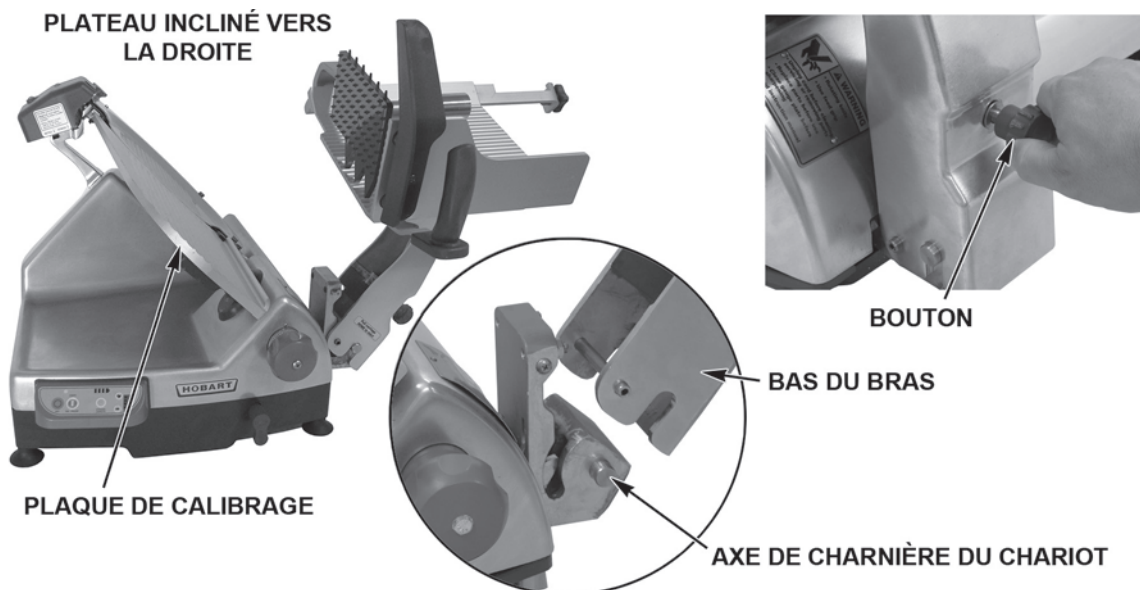


Fig. 10

Cache du couteau et protège lame

- Retirez le cache du couteau (Fig. 11) en tirant le bouton de blocage. Le cache du couteau est maintenu par un aimant sous le bouton de blocage.
- Soulevez le protège lame en plastique (Fig. 11) pour le retirer.

Couteau (amovible – HS6, HS7, HS8 et HS9)

⚠ AVERTISSEMENT Le couteau est très tranchant. Prenez toutes les précautions nécessaires si vous travaillez dans la zone du couteau.

- Assurez-vous que la plaque de calibrage est fermée, puis tournez le couteau avec votre main pour aligner la flèche sur le couteau avec l'axe sur le protège lame en position 1 h (Fig. 12). La saillie du moyeu du couteau sera également alignée avec le même axe.
- L'axe (Fig. 13) de l'extracteur est inséré dans le trou en position 11 h sur le couteau (Fig. 13).



Fig. 11

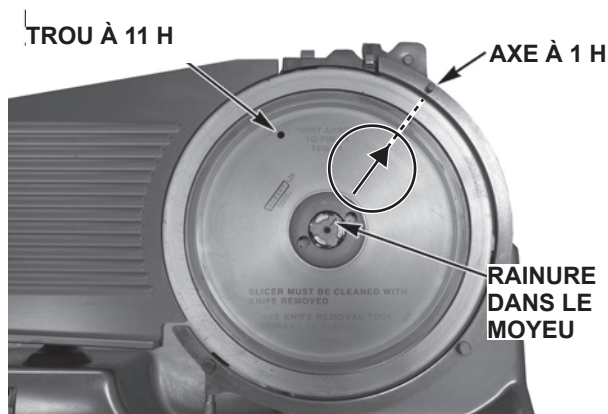


Fig. 12

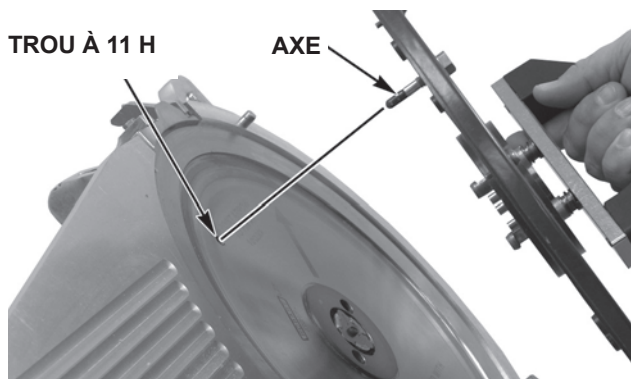


Fig. 13

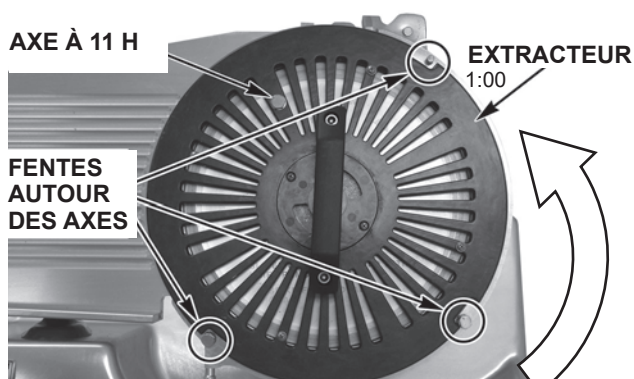


Fig. 14

- Placez l'extracteur sur le couteau (Fig. 14). Les trois fentes sur l'extracteur correspondent aux trois axes sur le protège lame (Fig. 14).
- Poussez fermement la poignée jusqu'au moyeu. Puis, tournez la poignée jusqu'en butée dans le sens inverse des aiguilles d'une montre (Fig. 15). En tournant, une certaine résistance peut être ressentie.
- Soulevez le couteau et l'outil pour les sortir (Fig. 15).

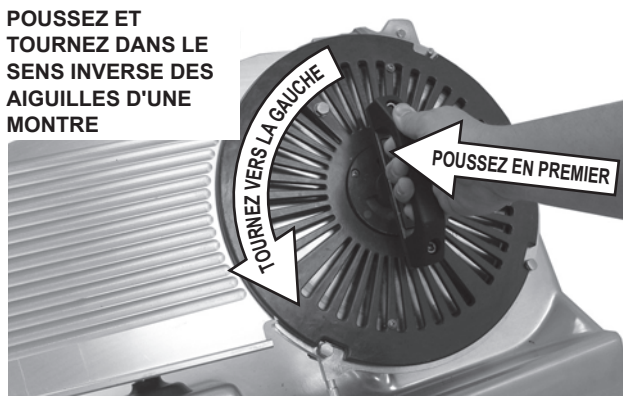


Fig. 15

NETTOYAGE

Affûteur

- Nettoyez tous les résidus restant à l'intérieur de l'affûteur.
- Lavez, rincez et désinfectez l'affûteur dans un évier ou un lave-vaisselle.

Pousse talon

- Le pousse talon peut être lavé, rincé et désinfecté dans un évier.

Plateau

- Le plateau peut être lavé, rincé et désinfecté dans un évier.
- Nettoyer l'axe du plateau avec la brosse comme indiqué (Fig. 16).

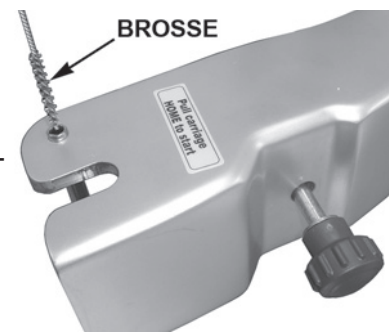


Fig. 16

Cache du couteau et protège lame

- Lavez, rincez et désinfectez le cache du couteau et le protège lame en plastique dans un évier ou un lave-vaisselle.

Couteau (amovible)

REMARQUE : Portez toujours l'extracteur et le couteau par la poignée.

- Lavez, rincez et désinfectez l'extracteur et le couteau dans un évier ou un lave-vaisselle.

Couteau (non amovible)

⚠ AVERTISSEMENT Le couteau est très tranchant. Prenez toutes les précautions nécessaires si vous travaillez dans la zone du couteau.

- Nettoyez à fond le tour du protège lame avec un papier absorbant plié et humide entre le couteau et le protège lame (Fig. 17).
- Lavez, rincez et désinfectez les deux côtés du couteau en allant de l'extérieur vers le centre. Ne nettoyez jamais les pièces de la trancheuse avec des éponges métalliques.

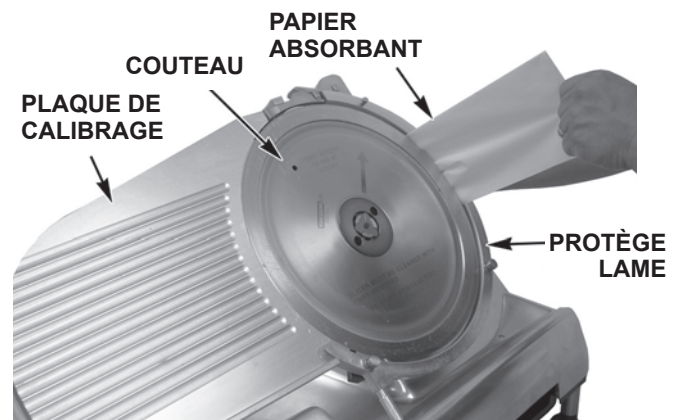


Fig. 17

Sous la trancheuse

Les trancheuses HS6 et HS8 sont équipées d'une tige de nettoyage (Fig. 18) permettant le nettoyage sous la trancheuse. Pour introduire la tige de nettoyage, soulevez l'avant de la base de la trancheuse. La tige de nettoyage bascule vers le bas. Glissez-la vers l'avant pour que la trancheuse soit complètement soutenue avant de nettoyer le dessous.

Les trancheuses de la série HS7 et HS9 sont équipées d'un ressort à gaz (Fig. 19) pour aider au nettoyage sous la trancheuse. Pour élever la trancheuse, placez les mains sous le devant de la base et soulevez-la jusqu'à ce qu'elle s'arrête. Le ressort retiendra la trancheuse en position pour le nettoyage. Poussez sur la base de la trancheuse pour la rabaisser.

REMARQUE : ne soulevez pas, ni rabaissez la trancheuse par le tableau de commande.

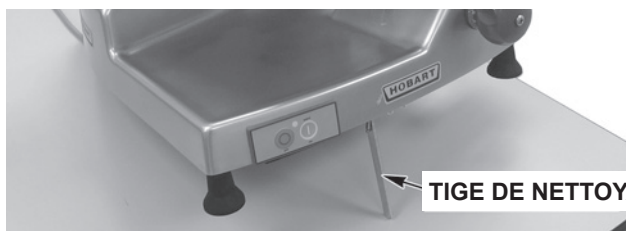


Fig. 18



Fig. 19

REMONTAGE APRÈS NETTOYAGE

Une fois tous les composants nettoyés, désinfectés et séchés, la trancheuse peut être remontée pour être utilisée.

Couteau (amovible avec extracteur)

- Orientez la marque du moyeu du couteau vers la flèche comme indiqué à la figure 20, de sorte qu'elle pointe à l'axe sur le protège lame en position 1 h (Fig. 20).

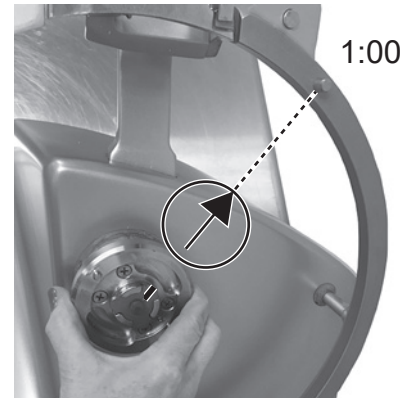


Fig. 20

- Placez le couteau et l'extracteur de manière à ce que l'axe sur l'extracteur soit en position 11 h (Fig. 21).
- Placez les fentes de l'extracteur autour des trois axes sur le protège lame (Fig. 21).

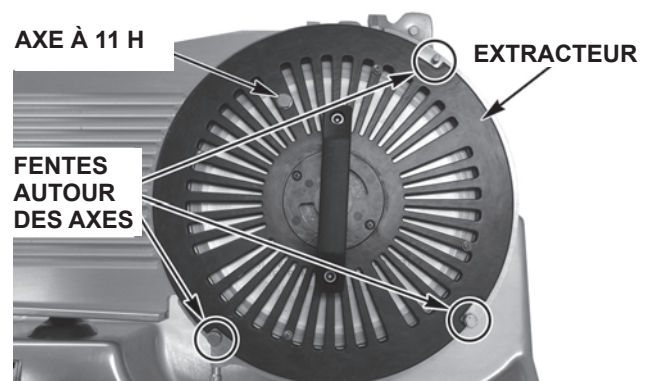


Fig. 21

REMARQUE : Si l'extracteur ne pousse pas les axes à l'arrière du couteau dans le moyeu, poussez doucement la poignée vers le haut pour bloquer les axes sur l'écrou du couteau.

- Poussez fermement (Fig. 22) la poignée jusqu'au moyeu pour enclencher les axes. Puis, tournez la poignée jusqu'en butée dans le sens des aiguilles d'une montre. En tournant, une certaine résistance peut être ressentie.
- Le couteau est de nouveau fixé. Soulevez l'extracteur pour le sortir.

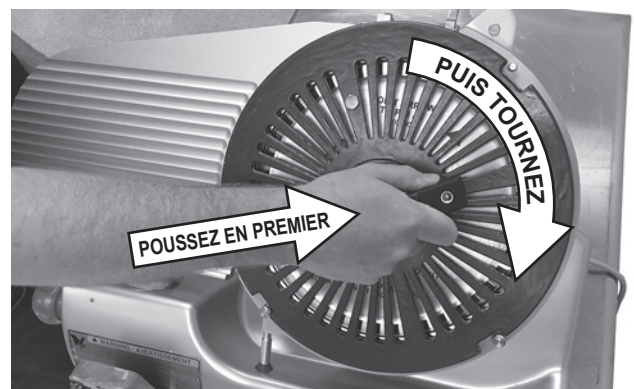


Fig. 22

Protège lame et cache du couteau

- Installez le protège lame sur les trois axes de guidage (Fig. 23).
- Placez le cache du couteau (Fig. 24) sur les deux axes de guidage du bas et abaissez le bouton de blocage jusqu'à ce que l'aimant maintienne le cache du couteau en place.

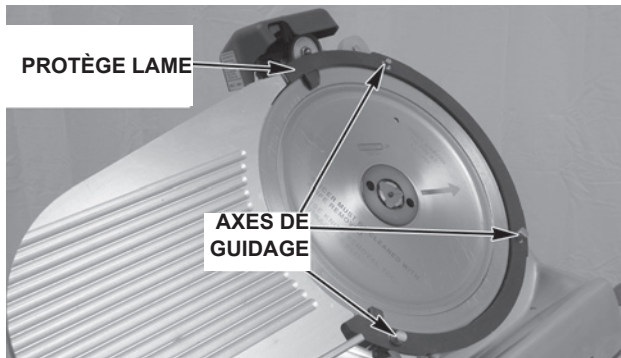


Fig. 23

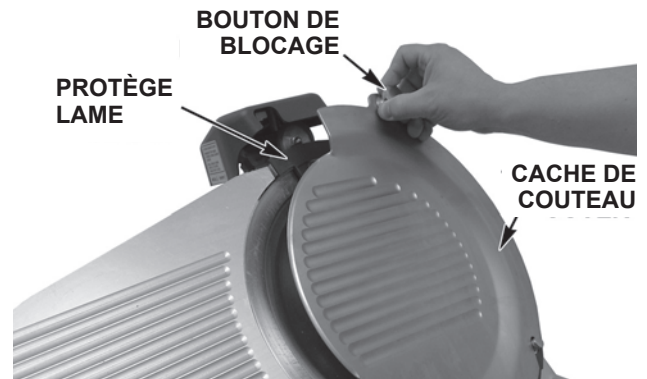


Fig. 24

Plateau

- Abaissez le bas du bras sur les axes de charnière du chariot (Fig. 25).
- Inclinez le plateau vers la plaque de calibrage.
- Tournez le bouton sur le bras jusqu'à ce qu'il soit suffisamment serré contre le bras.

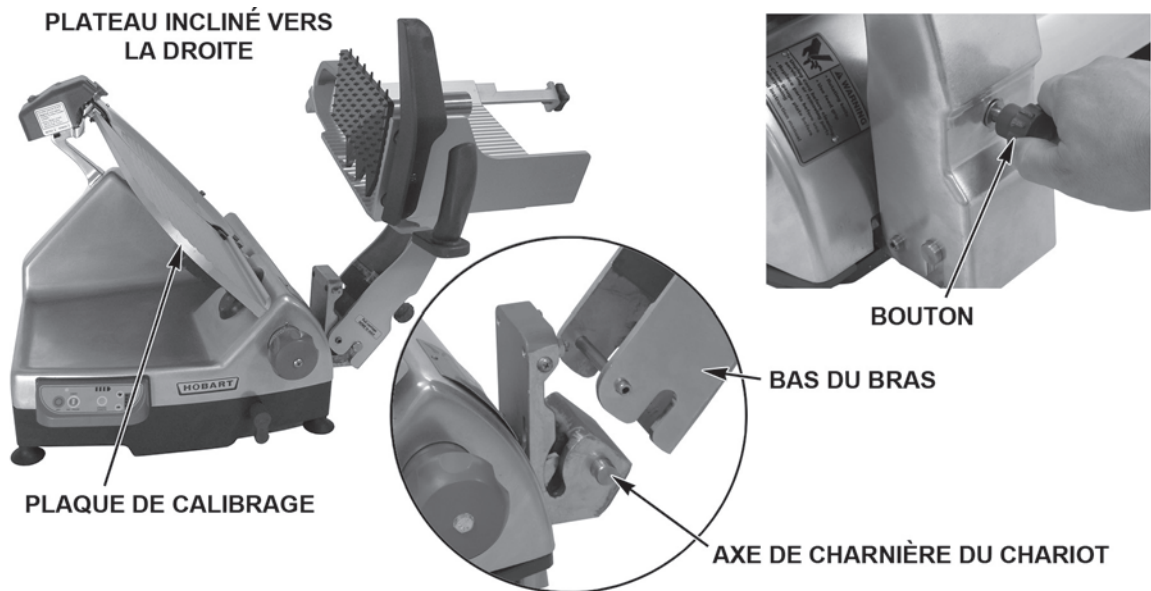


Fig. 25

Pousse talon

- Montez le pousse talon (Fig. 26) en plaçant la rondelle, le bras et la poignée du pousse talon sur la tige du pousse talon.
- Serrez la poignée.
- Installez le pousse talon (Fig. 27) sur le plateau en glissant la tige coulissante dans la poignée du pousse talon et sur le plateau.
- Serrez la tige coulissante du pousse talon dans le plateau.
- Lubrifiez la tige coulissante. Voir la rubrique Entretien.

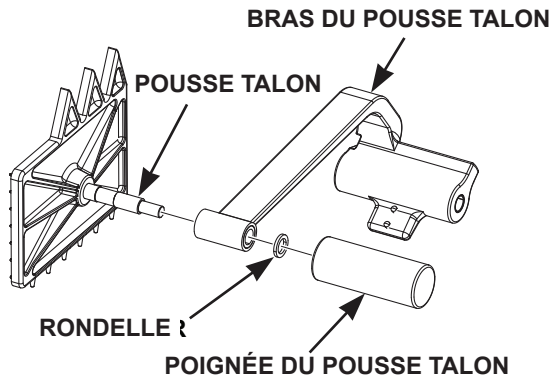


Fig. 26

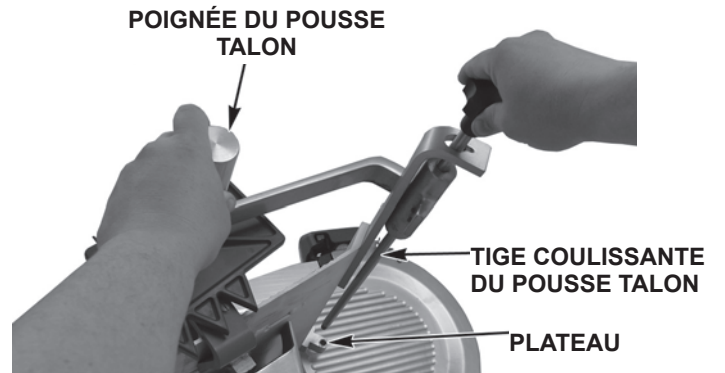


Fig. 27

Affûteur

- Installez l'affûteur en l'abaissant sur le support. La tige et l'axe en bas de l'affûteur peuvent alors correspondre à la fente sur le support de l'affûteur (Fig. 28).
- Pour utiliser l'affûteur, voir la rubrique Entretien.

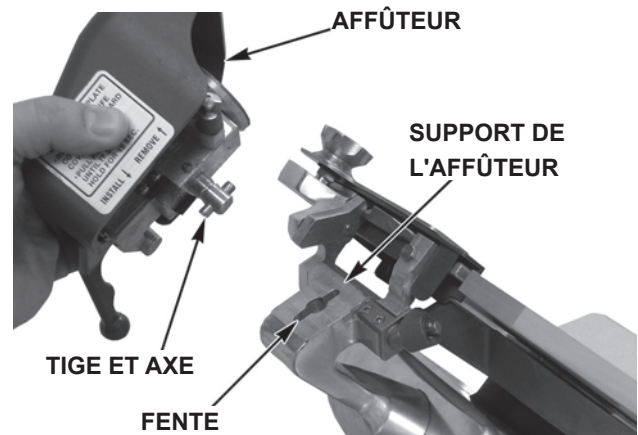


Fig. 28

VÉRIFICATION DU JOINT

L'intervalle entre chaque entretien ne doit pas dépasser six mois.

La vérification (Fig. 29) doit être exécutée par le fabricant ou un technicien agréé.

⚠ AVERTISSEMENT Si un joint est endommagé ou manquant, le fabricant ou un technicien agréé doit effectuer la réparation avant de pouvoir utiliser la trancheuse.

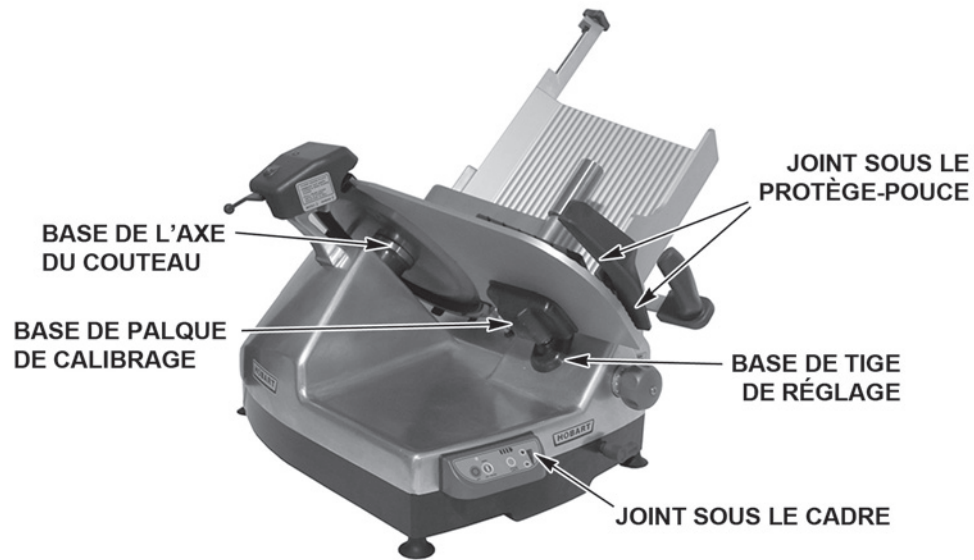


Fig. 29

ENTRETIEN

⚠ AVERTISSEMENT Débranchez le cordon d'alimentation de la machine et tournez le bouton de réglage au maximum dans le sens des aiguilles d'une montre pour fermer la plaque de calibration avant de réparer la trancheuse.

AFFÛTAGE DU COUTEAU

Le couteau CleanCut™ a une durée de vie prolongée s'il est utilisé dans les cuisines commerciales ou les magasins d'alimentation.

REMARQUE N'affûtez que si nécessaire. Un affûtage trop long ou trop fréquent peut entraîner l'usure du couteau.

Retirez le cache du couteau en tirant le bouton de blocage. Le cache du couteau est maintenu par un aimant puissant sous le bouton de blocage. Soulevez le protège lame en plastique (Fig. 30) pour le retirer.

Nettoyez et désinfectez la trancheuse comme précisé dans la section Nettoyage avant d'affûter le couteau. Éliminez tous les débris alimentaires entre le couteau et l'affûteur. Branchez le cordon d'alimentation de la machine.

Appuyez pendant 15 secondes sur le bouton « KNIFE ON » (Fig. 31) en tirant complètement le levier de l'affûteur en avant (Fig. 31). Au bout de 15 secondes, relâchez le levier de l'affûteur et appuyez sur le bouton « OFF ». Débranchez le cordon d'alimentation de la machine. Nettoyez et désinfectez la trancheuse comme précisé dans la section Nettoyage une fois le couteau affûté. Installez le protège lame en plastique et le cache du couteau (Fig. 30).

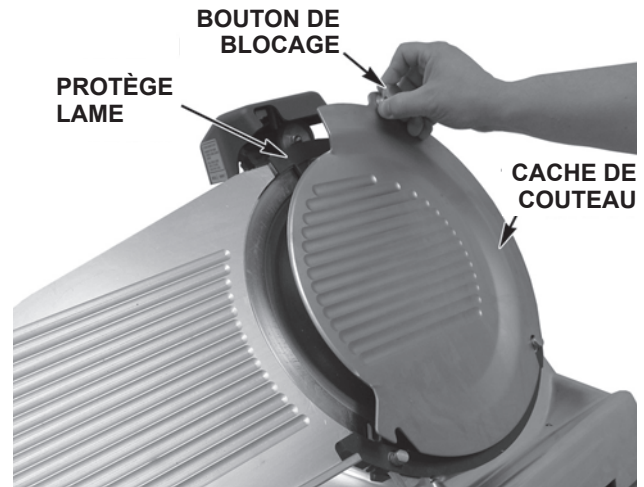


Fig. 30

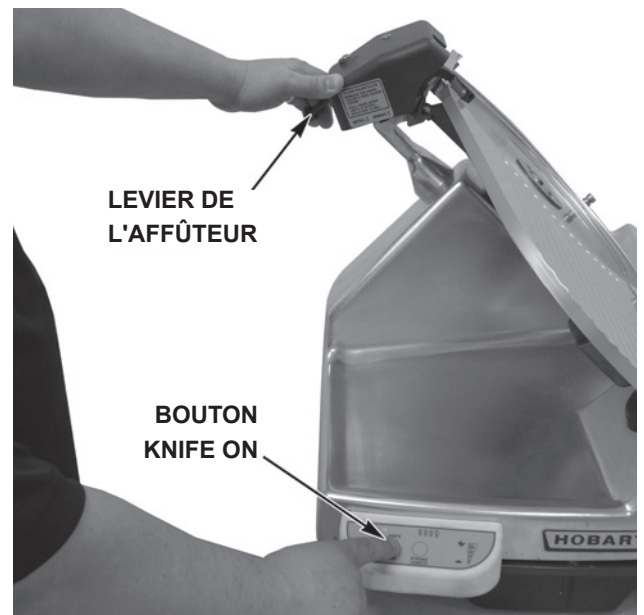


Fig. 31

LUBRIFICATION — TIGE COULISSANTE DU CHARIOT

Lubrifiez la tige coulissante du chariot avec l'huile Lubriplate FMO-200-AW (fournie). Une fois par mois, appliquez 4 - 5 gouttes directement sur la tige coulissante du chariot de chaque côté du support de chariot (Fig. 32).

Pour huiler, tirez le tube de la bouteille d'huile, orientez le tube et pressez légèrement sur les côtés de la bouteille. Après avoir huilé, déplacez le plateau du chariot d'avant en arrière plusieurs fois pour répandre l'huile sur toute la longueur de la tige coulissante.

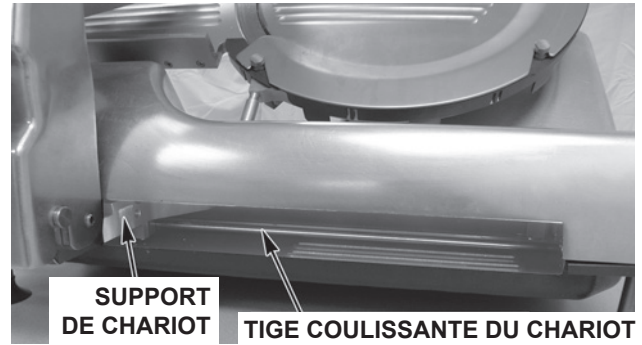


Fig. 32

LUBRIFICATION - TIGE COULISSANTE DU POUSSE TALON

La tige coulissante du pousse talon peut être régulièrement lubrifiée. La lubrification est aussi nécessaire quand une résistance est ressentie en utilisant le pousse talon (Fig. 33). Avant tout, nettoyez la tige coulissante du pousse talon pour lubrifier sur une surface sèche et propre. Ensuite, répartissez de petites quantités de l'huile Lubriplate fournie sur la tige. Puis, glissez le pousse talon de haut en bas sur la tige pour éliminer toute résistance.

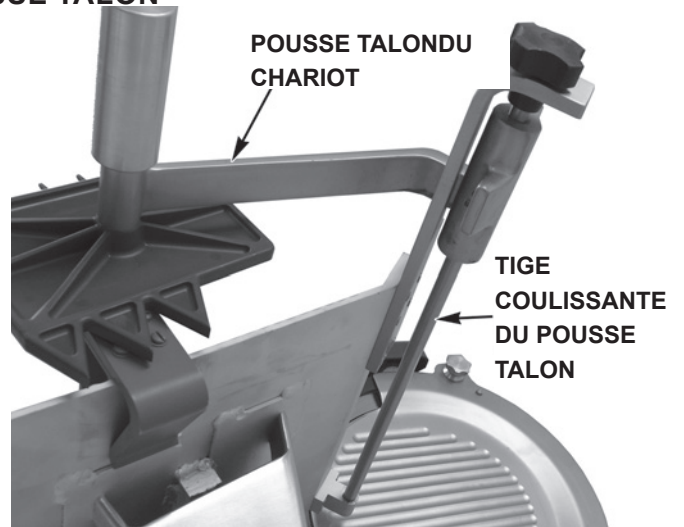


Fig. 33

RÉPARATION

Contactez l'atelier de réparation local agréé Hobart pour tous réglages ou toutes réparations sur la trancheuse.