

16 GAUGE STAINLESS STEEL THREE COMPARTMENT SINK

METAL³⁰⁴



FEATURES

- 16GA.304S/S sink
Corner drain with 1.5" drain basket, 10" or 12" overflow pipe and 18GA.304S/S swirl guard included
backsplash top with dead end
- 201 S/S leg and socket, zinc alloy bullet feet
Detachable U Sharp leg bracing



Left Size Drainboard



Right Size Drainboard



No Drainboard

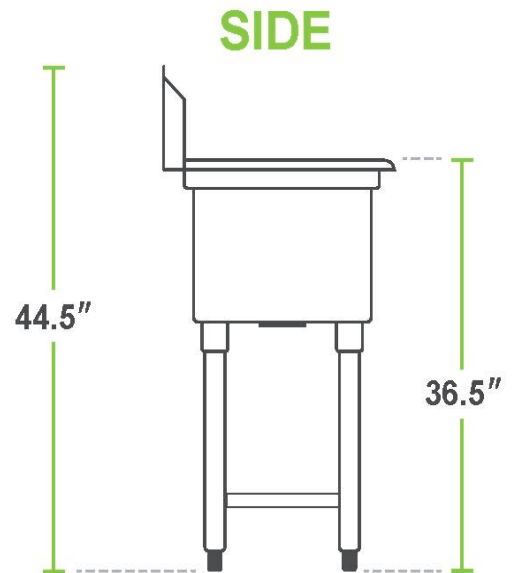
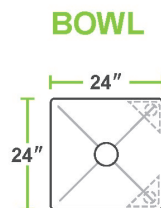
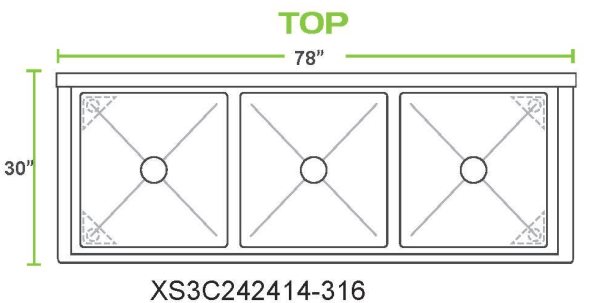
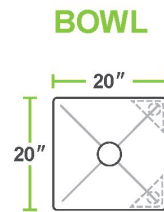
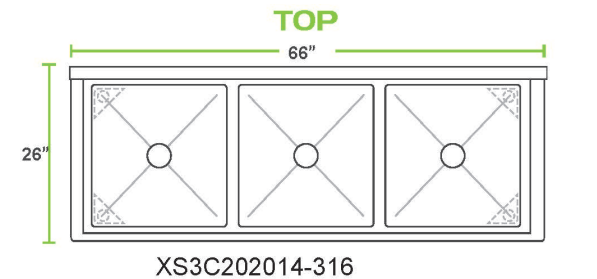
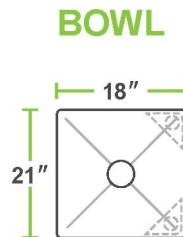
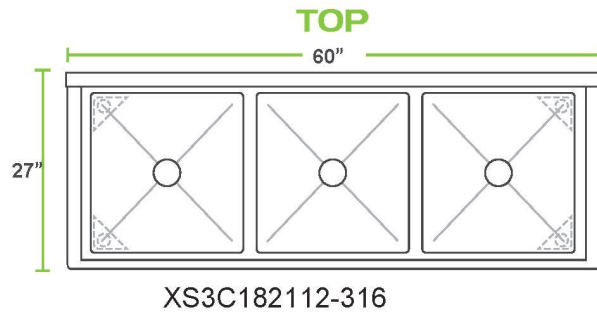
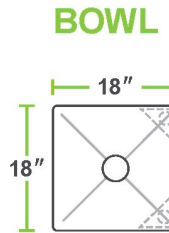
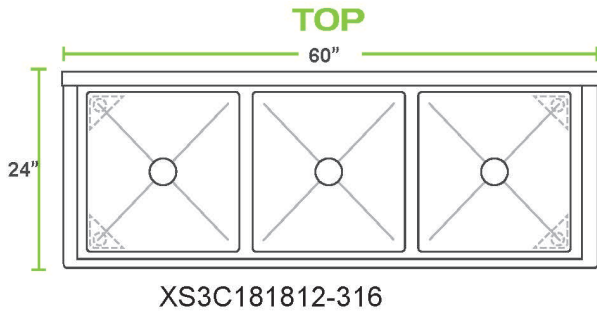
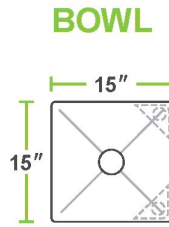
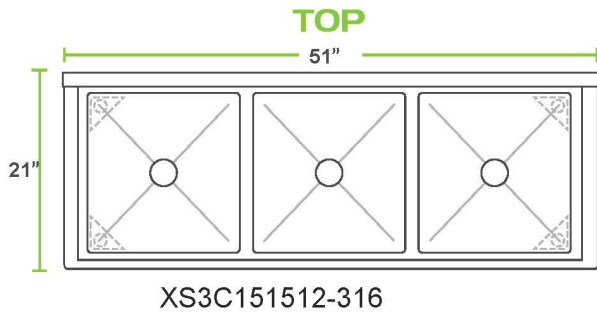


Left&Right Size Drainboard

SPECIFICATIONS

ITEM	BOWL SIZE W X D X H (In)	Ext. Dimensions W X D X H (In)	HEIGHT (work)	NUMBER OF DRAINBOARDS	L side Drainboard Length	R side Drainboard Length
XS3C151512-316	15x15X12	51x21x44.5	36½	no drainboard		
XS3C181812-316	18x18X12	60x24x44.5	36½	no drainboard		
XS3C182112-316	18x21X12	60x27x44.5	36½	no drainboard		
XS3C182112-18L-316	18x21X12	75.1x27x44.5	36½	1	18	
XS3C182112-18R-316	18x21X12	75.1x27x44.5	36½	1		18
XS3C202014-316	20x20X14	66x26x44.5	36½	no drainboard		
XS3C202014-20L-316	20x20X14	83 x26x44.5	36½	1	20	
XS3C202014-20R-316	20x20X14	83 x26x44.5	36½	1		20
XS3C202014-20LR-316	20x20X14	100 x26x44.5	36½	2	20	20
XS3C242414-316	24x24X14	78x30x44.5	36½	no drainboard		
XS3C242414-24L-316	24x24X14	99.1x30x44.5	36½	1	24	
XS3C242414-24R-316	24x24X14	99.1x30x44.5	36½	1		24

16 GAUGE STAINLESS STEEL THREE COMPARTMENT SINKS



16 GAUGE STAINLESS STEEL THREE COMPARTMENT SINKS WITH DRAINBOARDS

