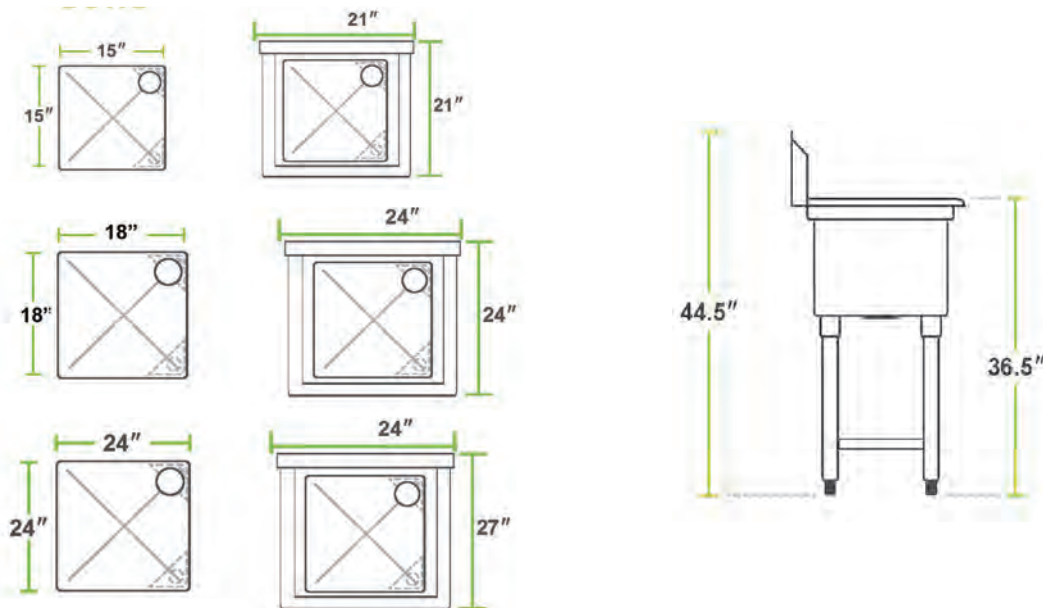


One Compartment Sinks

16GA. 304 S/S sink
 Corner drain with 1.5" drain basket, 10" or 12" overflow pipe and 18GA. 304 S/S swirl guard included
 backsplash top with dead end
 201 S/S leg and socket, zinc alloy bullet feet
 Detachable U Shape leg bracing
 NSF certificated
 Faucet holes on 8" centers (faucets not included)



| Item | Bowl Size W X D X H (In) | Ext. Dimensions W X D X H (In) | Height (work) in | No. of Drainboards | UOM | Ship Weight(lb) | Ship Data W X D X H (In) |
|---------------|-----------------------------|-----------------------------------|---------------------|-----------------------|------|--------------------|-----------------------------|
| S1C151512-316 | 15x15X12 | 21x21x44.5 | 36½ | no drainboard | Each | 25 | 22.17x22.17x98.43 |
| S1C181812-316 | 18x18X12 | 24x24x44.5 | 36½ | no drainboard | Each | 33 | 25.20x25.20x98.43 |
| S1C202014-316 | 20x20X14 | 26x26x44.5 | 36½ | no drainboard | Each | 39 | 27.17x27.17x98.43 |
| S1C242414-316 | 24x24X14 | 30x30x44.5 | 36½ | no drainboard | Each | 47 | 31.18x31.18x98.43 |