

BUNN®

Low Profile Pourover Coffee Brewer with 1 Warmer

ITEM#

PROJECT

DATE



Features

Low Profile Pourover Coffee Brewer

- Brews 3.8 gallons (14.8 litres) of perfect coffee per hour.
- Pourover brewer requires no plumbing – completely portable.
- All stainless steel construction.
- Stainless steel or black finish.
- One warmer.
- SplashGard® funnel deflects hot liquids away from the hand.
- International electrical configurations available.

Model VP17-1 SST

(decanter not included)

Dimensions: 17.8" H x 8" W x 17.7" D
(45.2cm H x 21.6cm W x 44.96cm D)

For current specification sheets and other information, go to www.bunn.com.

Related Products

Paper Filter Pack

Product No. : 20115.0000

Packed per case: 1,000

Dimensions: 4¼" Base x 2¾" Sidewall
10.8 cm Base x 6.98 cm Sidewall



WX1-warmer

Product No. : 06450.0004

One position warmer



WX2-warmer

Product No. : 06310.0004

Two position warmer



Easy Pour® black decanter

Product No. : 06100.0101

Quantity: 1 (also packaged in quantities of 2, 3, 6, 12, & 24)



Easy Pour® orange decanter (for decaf)

Product No. : 06101.0101

Quantity: 1 (also packaged in quantities of 2, 3, 6, 12, & 24)



Model

Agency Listing

VP17-1 SST



VP17-1 BLK



Patents Apply

6/09

A5.3

Dimensions & Specifications

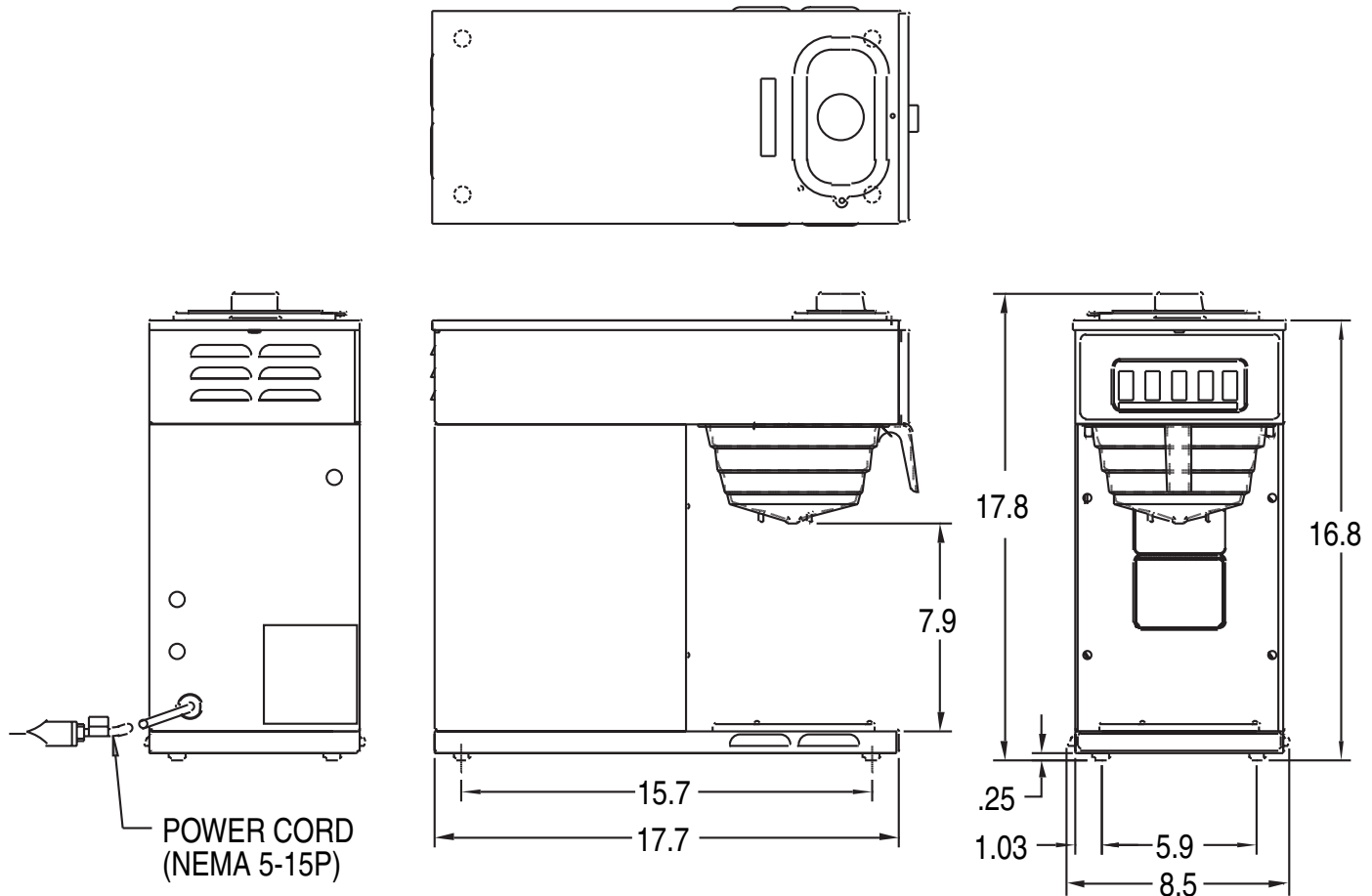
Model	Product #	Volts	Amps	Tank Heater Watts	Total Watts	Brewing Capacity	Cu. Ft.	Shipping Weight	Cord Attached
VP17-1 SS	13300.0001	120	13.3	1320	1600	3.8 gal./hr.	4.7	23 lbs.	Yes*
VP17-1 BLK	13300.0011	120	13.3	1320	1600	3.8 gal./hr.	4.7	21 lbs.	Yes*

*Power cord (NEMA 5-15P) 15 Amp-120V machine only.

Brewing capacity: based upon incoming water temp of 60°F (140°F rise) per 1/2 gallon brew time of 4 minutes.

Electrical: Models require 2-wires plus ground service rated 120V, single phase, 60 Hz.

Plumbing: No plumbing needed.



Bunn-O-Matic® Corporation - 1400 Stevenson Drive Springfield, Illinois 62703 • 800-637-8606 • 217-529-6601 • Fax 217-529-6644 • www.bunn.com

BUNN® practices continuous product research and improvement. We reserve the right to change specifications and product design without notice. Such revisions do not entitle the buyer to corresponding changes, improvements, additions or replacements for previously purchased equipment.

All dimensions shown in inches.

6/09 Bunn-O-Matic Corporation