

# Electric conveyor toaster

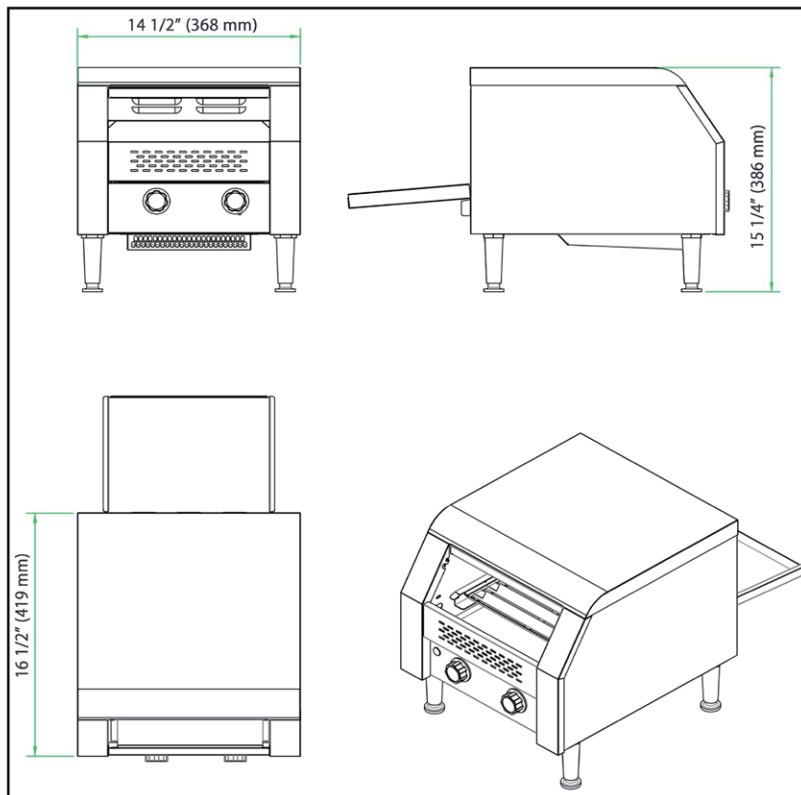


Model: ECT-350

## STANDARD FEATURES

- Durable alloy heater
- EGO selective switch for different heating group
- Standby function to save energy at 30% power
- Conveyor belt speed can be adjusted to have different browning
- Geared motor with cooling fan for belt drive
- Specially designed cooling system to cool down top
- Steel guiding net for easy toast
- Slotted cool-to-touch handle for crumb tray
- Insulation on three sides (Top, Left, Right)
- Stainless steel crumb collector with handle
- Front and back discharge can fit different locations
- Adjustable plastic leg

## Plan View



| Model   | Exterior Size<br>W x D x H (IN) | Power | V/Hz      | Output  | Packing Size<br>W x D x H (IN) | N/W      | G/W    |
|---------|---------------------------------|-------|-----------|---------|--------------------------------|----------|--------|
| ECT-350 | 14 1/2 x 16 1/2 x 15 1/4        | 1700W | 120V/60Hz | 300 pcs | 20 x 17 3/8 x 15               | 35.5 lbs | 40 lbs |



5-15P



Intertek



Intertek