

Electric conveyor toaster

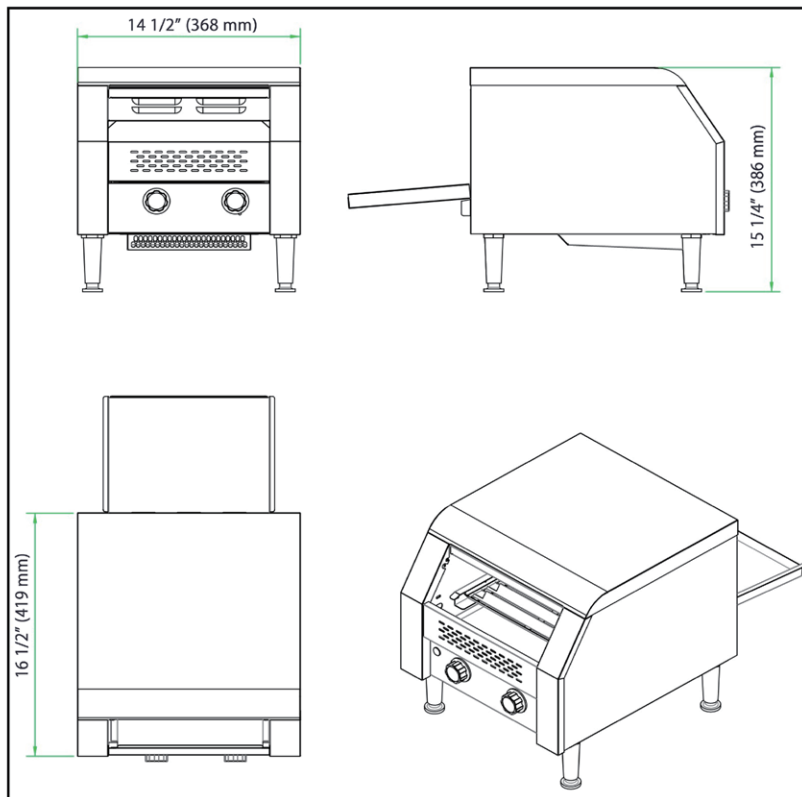


Model: ETC-350

STANDARD FEATURES

- Durable alloy heater
- EGO selective switch for different heating group
- Standby function to save energy at 30% power
- Conveyor belt speed can be adjusted to have different browning
- Geared motor with cooling fan for belt drive
- Specially designed cooling system to cool down top
- Steel guiding net for easy toast
- Slotted cool-to-touch handle for crumb tray
- Insulation on three sides (Top, Left, Right)
- Stainless steel crumb collector with handle
- Front and back discharge can fit different locations
- Adjustable plastic leg

Plan View



Model	Exterior Size W x D x H (IN)	Power	V/Hz	Output	Packing Size W x D x H (IN)	N/W	G/W
ETC-350	14 1/2 x 16 1/2 x 15 1/4	1700W	120V/60Hz	300 pcs	20 x 17 3/8 x 15	35.5 lbs	40 lbs



5-15P



Intertek



Intertek