

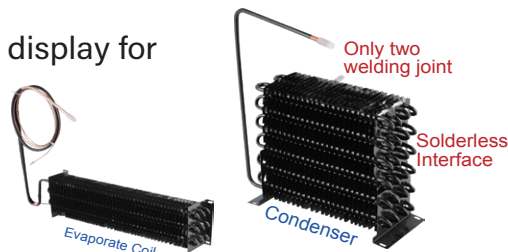
Salad & Sandwich Prep Table

Regular Top Refrigerator With Side Mounted Compressor



Features

- CFC free refrigerant and foam insulation.
- Equipped with an electronic thermostat and digital LED temperature display for precise control and convenient reading.
- Features a self-closing swing door for added convenience.
- The magnetic gasket can be replaced without the need for any tools.
- External construction comprises stainless steel framework.
- Internally constructed with 304 stainless steel.
- Incorporates auto defrosting and auto evaporation mechanisms to prevent condensation.
- The coated copper tube, boasting a sturdy 0.7mm thickness, ensures durability.
- Crafted from a single bent tube, minimizing the risk of leaks with only two welding joints.
- The condenser is efficiently positioned inside the condensation pan to facilitate the evaporation of excess water.
- Dispose of daily waste effortlessly with the stainless steel baseplate that lifts easily.
- Adjustable and heavy-duty epoxy-coated wire shelves for flexible storage options.
- Includes 1/6 size polycarbonate GN pans and a plastic cutting board.
- Comes with easy-to-mount 4" casters (front casters equipped with brakes), standard with all units.
- Electrical specifications: 115/60/1 with a NEMA 5-15P plug and a 10ft cord.



Temperature

- Interior temperature range: 1°C to 4°C (33°F to 40°F)
- Ambient temperature upto 45°C (113°F)

Warranty

- 3 years parts and labour
- 5 years compressor warranty



Specifications

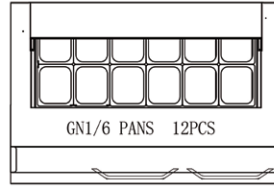
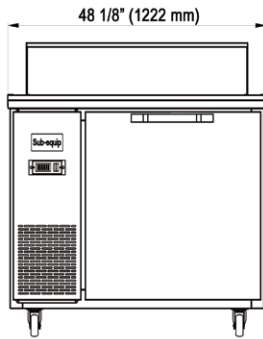
Model	Doors	1/6 Size Pan	Ext. Dimensions W x D x H (in)	Storage Capacity(cu-ft)	V/Hz/Ph	AMPS	Power	NEMA PLUG	Ship Weight(lbs)	Ship Data W x D x H (in)
CUSC-48R	1	12	48 x 29 7/8 x 35 5/8 (42 1/2)	9.5	115/60/1	4	380W/0.51HP	5-15	298	51 1/2 x 35 7/8 x 45 7/8
CUSC-60R	2	16	60 x 29 7/8 x 35 5/8 (42 1/2)	14	115/60/1	4.3	400W/0.54HP	5-15	386	63 1/2 x 35 7/8 x 45 7/8
CUSC-72R	3	20	72 x 29 7/8 x 35 5/8 (42 1/2)	18.5	115/60/1	5	450W/0.61HP	5-15	419	75 1/2 x 35 7/8 x 45 7/8
CUSC-84R	3	22	84 x 29 7/8 x 35 5/8 (42 1/2)	23	115/60/1	5	450W/0.61HP	5-15	474	87 1/2 x 35 7/8 x 45 7/8
CUSC-96R	3	26	96 x 29 7/8 x 35 5/8 (42 1/2)	27.5	115/60/1	5.5	500W/0.67HP	5-15	507	99 1/2 x 35 7/8 x 45 7/8



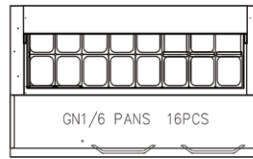
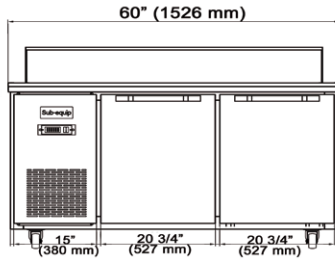
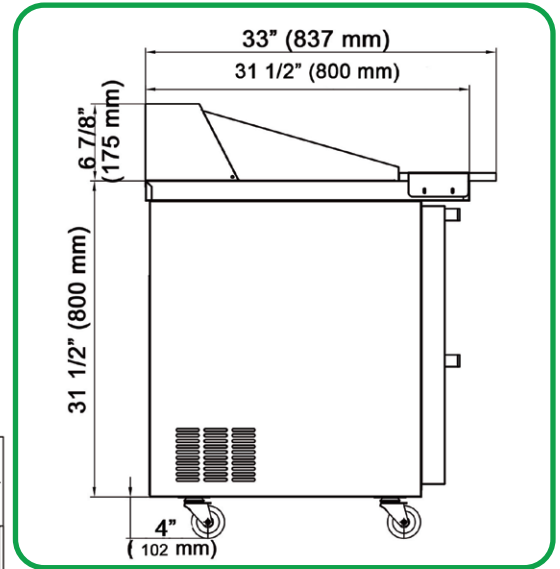
If the data and structure update, without notice, subject to material object.

Salad & Sandwich Prep Table

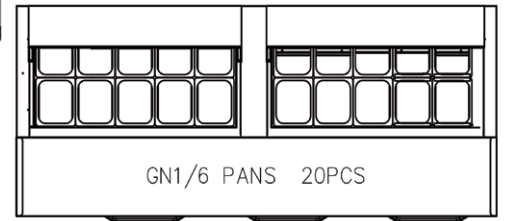
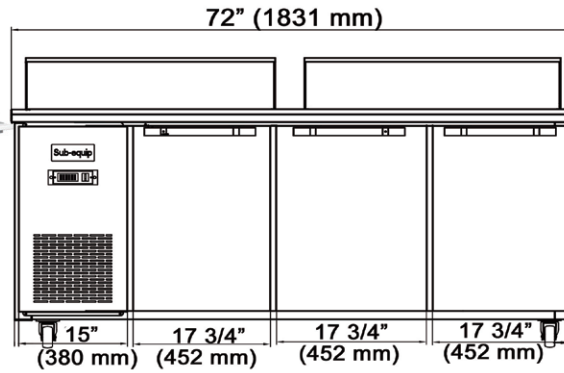
Regular Top Refrigerator With Side Mounted Compressor



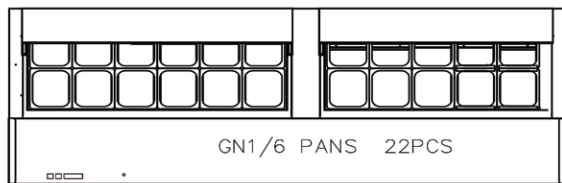
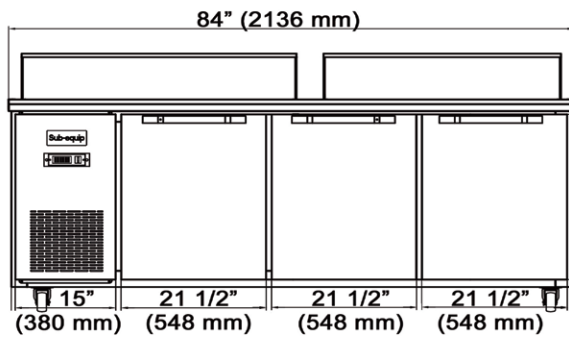
CUSC-48R



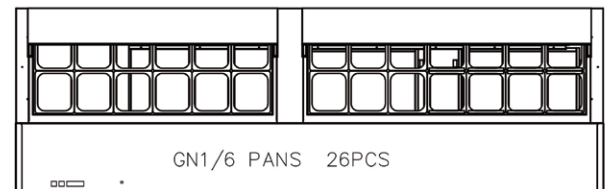
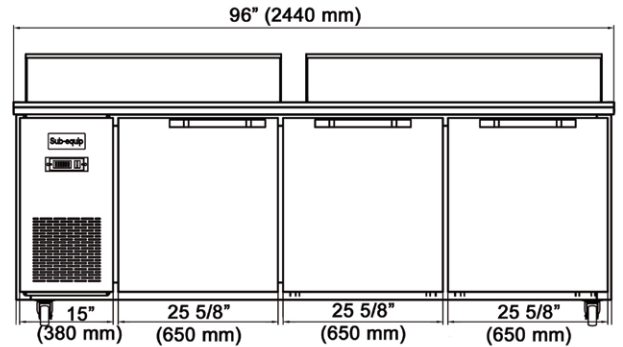
CUSC-60R



CUSC-72R



CUSC-84R



CUSC-96R



NEMA 5-15P C



If the data and structure update, without notice, subject to material object.