

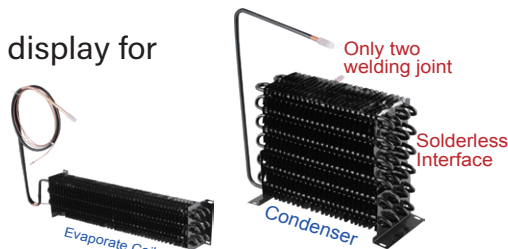
# Salad & Sandwich Prep Table

## Megatop Refrigerator With Side Mounted Compressor



### Features

- CFC free refrigerant and foam insulation.
- Equipped with an electronic thermostat and digital LED temperature display for precise control and convenient reading.
- Features a self-closing swing door for added convenience.
- The magnetic gasket can be replaced without the need for any tools.
- External construction comprises stainless steel framework.
- Internally constructed with 304 stainless steel.
- Incorporates auto defrosting and auto evaporation mechanisms to prevent condensation.
- The coated copper tube, boasting a sturdy 0.7mm thickness, ensures durability.
- Crafted from a single bent tube, minimizing the risk of leaks with only two welding joints.
- The condenser is efficiently positioned inside the condensation pan to facilitate the evaporation of excess water.
- Dispose of daily waste effortlessly with the stainless steel baseplate that lifts easily.
- Adjustable and heavy-duty epoxy-coated wire shelves for flexible storage options.
- Includes 1/6 size polycarbonate GN pans and a plastic cutting board.
- Comes with easy-to-mount 4" casters (front casters equipped with brakes), standard with all units.
- Electrical specifications: 115/60/1 with a NEMA 5-15P plug and a 10ft cord.



### Temperature

-Interior temperature range: 1°C to 4°C ( 33°F to 40°F)

### Warranty

- 3 years parts and labour
- 5 years compressor warranty



CUSC-48M



CUSC-72M/CUSC-84M/CUSC-96M



CUSC-60M



### Specifications

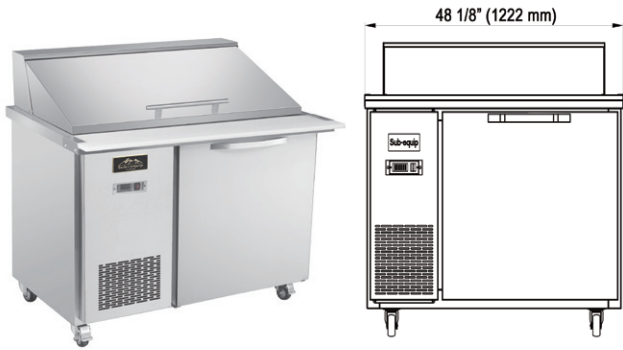
Model	Doors	1/6 Size Pan	Ext. Dimensions W x D x H (in)	Storage Capacity(cu-ft)	V/Hz/Ph	AMPS	Power	NEMA PLUG	Ship Weight(lbs)	Ship Data W x D x H (in)
CUSC-48M	1	18	48 x 36 1/2 x 35 5/8 (42 1/2)	10.5	115/60/1	4	380W/0.51HP	5-15	331	51 1/2 x 37 1/4 x 47 3/4
CUSC-60M	2	24	60 x 36 1/2 x 35 5/8 (42 1/2)	16	115/60/1	4.3	400W/0.54HP	5-15	408	63 1/2 x 37 1/4 x 47 3/4
CUSC-72M	3	30	72 x 36 1/2 x 35 5/8 (42 1/2)	20.3	115/60/1	5	450W/0.61HP	5-15	441	75 1/2 x 37 1/4 x 47 3/4
CUSC-84M	3	33	84 x 36 1/2 x 35 5/8 (42 1/2)	25.5	115/60/1	5	450W/0.61HP	5-15	496	87 1/2 x 37 1/4 x 47 3/4
CUSC-96M	3	39	96 x 36 1/2 x 35 5/8 (42 1/2)	30.5	115/60/1	5.5	500W/0.67HP	5-15	529	99 1/2 x 37 1/4 x 47 3/4



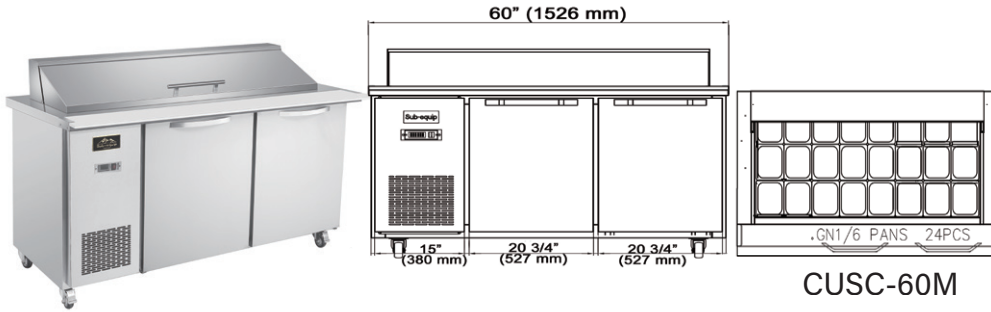
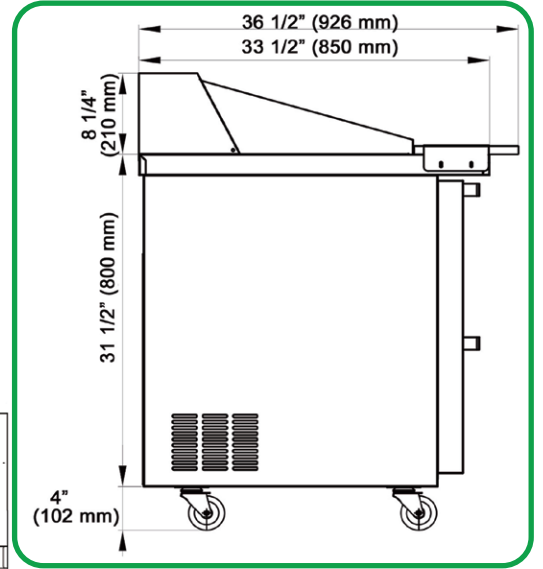
If the data and structure update, without notice, subject to material object.

# Salad & Sandwich Prep Table

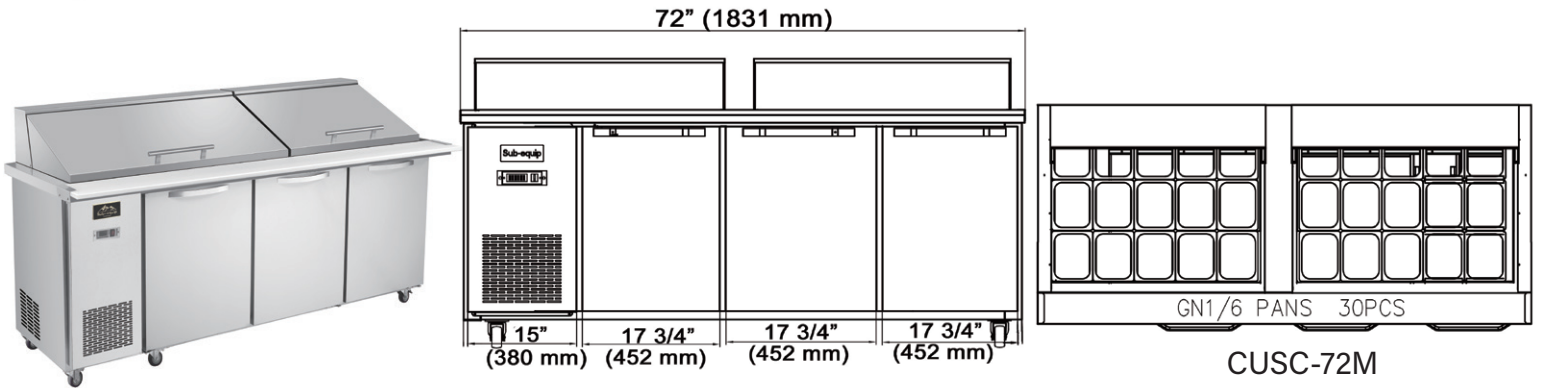
## Megatop Refrigerator With Side Mounted Compressor



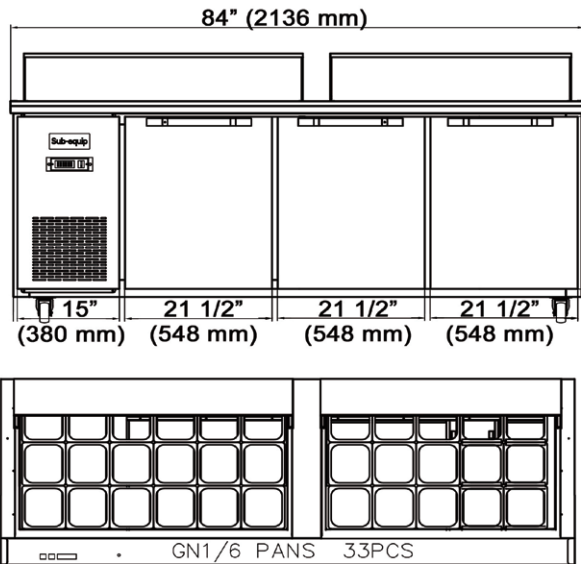
CUSC-48M



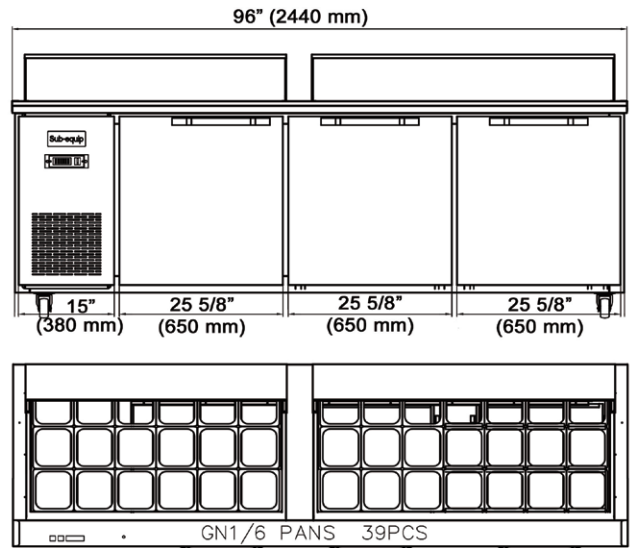
CUSC-60M



CUSC-72M



CUSC-84M



CUSC-96M



If the data and structure update, without notice, subject to material object.