

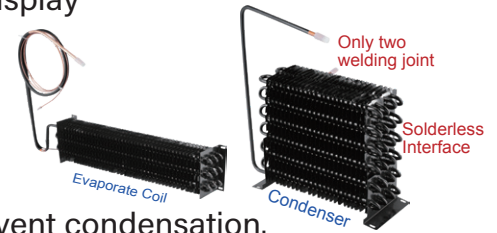
Stainless Steel Solid Door Reach-In Freezer

Features

- CFC free refrigerant and foam insulation.
- Equipped with an electronic thermostat and digital LED temperature display for precise control and convenient reading.
- Features a self-closing swing door for added convenience.
- The magnetic gasket can be replaced without the need for any tools.
- External construction 430 stainless steel framework.
- Internally constructed with 304 stainless steel.
- Incorporates auto defrosting and auto evaporation mechanisms to prevent condensation.
- The coated copper tube, boasting a sturdy 0.7mm thickness, ensures durability.
- Crafted from a single bent tube, minimizing the risk of leaks with only two welding joints.
- The condenser is efficiently positioned inside the condensation pan to facilitate the evaporation of excess water.
- Adjustable and heavy-duty epoxy-coated wire shelves for flexible storage options.
- Comes with easy-to-mount 4" casters (front casters equipped with brakes), standard with all units.
- Electrical specifications: 115/60/1 with a NEMA 5-15P plug and a 10ft cord.



www.sub-equip.com



Temperature

- Interior temperature range: -18°C to -22°C (0°F to -8°F)
- Ambient temperature upto 45°C (113°F)



C-19BF/C-27BF



C-35BF/C-48BF/C-54BF



C-81BF

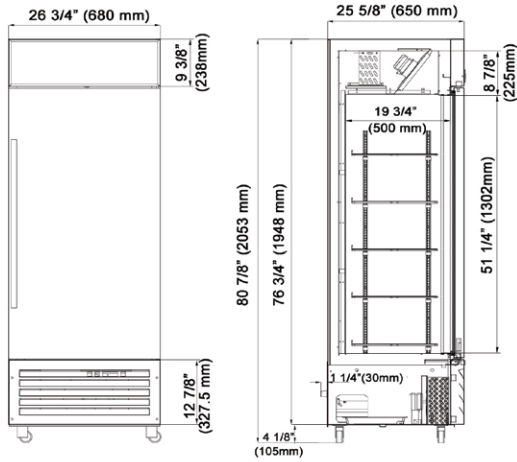
Specifications

Model	Doors	Ext. Dimensions W x D x H (in)	Storage Capacity(cu.ft)	Shelves	V/Hz/Ph	AMPS	Power	NEMA PLUG	Ship Weight(lbs)	Ship Data W x D x H (in)
C-19BF	1	26 3/4 x 25 5/8 x 80 7/8	16.4	5	115/60/1	5.5	600W/0.81HP	5-15P	177	29 1/4 x 28 x 88 3/4
C-27BF	1	26 3/4 x 32 1/4 x 80 7/8	21.5	5	115/60/1	7	700W/0.94HP	5-15P	331	29 1/4 x 35 x 88 3/4
C-35BF	2	39 1/2 x 32 1/4 x 80 7/8	32.7	10	115/60/1	7.5	800W/1.08HP	5-15P	441	41 7/8 x 35 x 88 3/4
C-48BF	2	48 x 32 1/4 x 80 7/8	40.1	10	115/60/1	7.5	800W/1.08HP	5-15P	460	50 1/2 x 35 x 88 3/4
C-54BF	2	54 x 32 1/4 x 80 7/8	45.2	10	115/60/1	7.5	800W/1.08HP	5-15P	485	56 3/8 x 35 x 88 3/4
C-81BF	3	80 3/4 x 32 1/4 x 80 7/8	68.5	15	115/60/1	15	1600W/2.15HP	5-15P	706	83 x 35 x 88 3/4

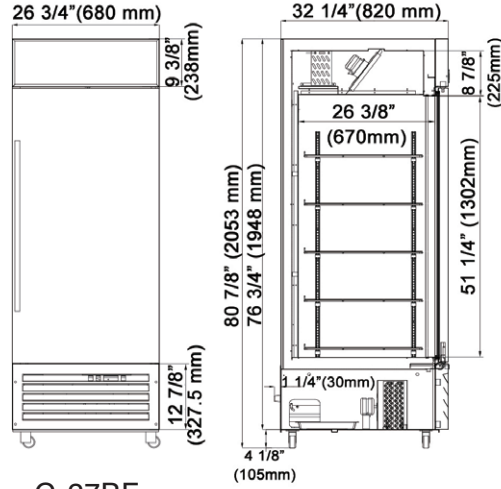


If the data and structure update, without notice, subject to material object.

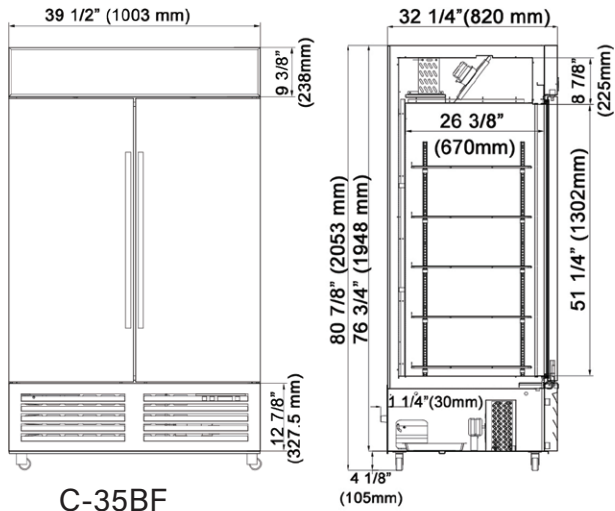
Stainless Steel Solid Door Reach-In Freezer



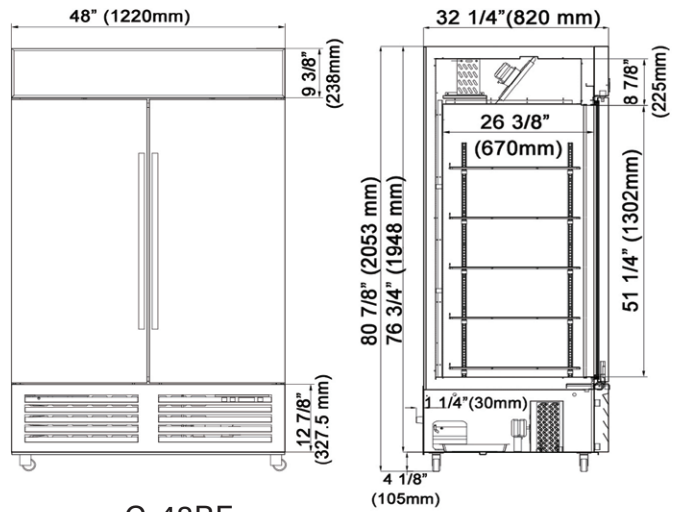
C-19BF



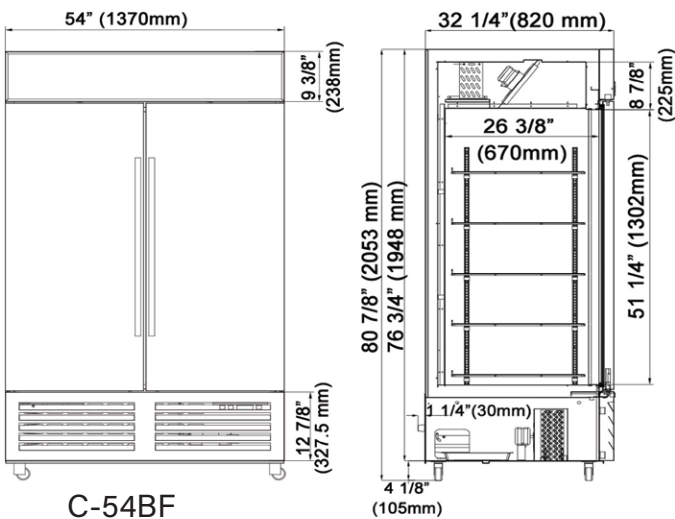
C-27BF



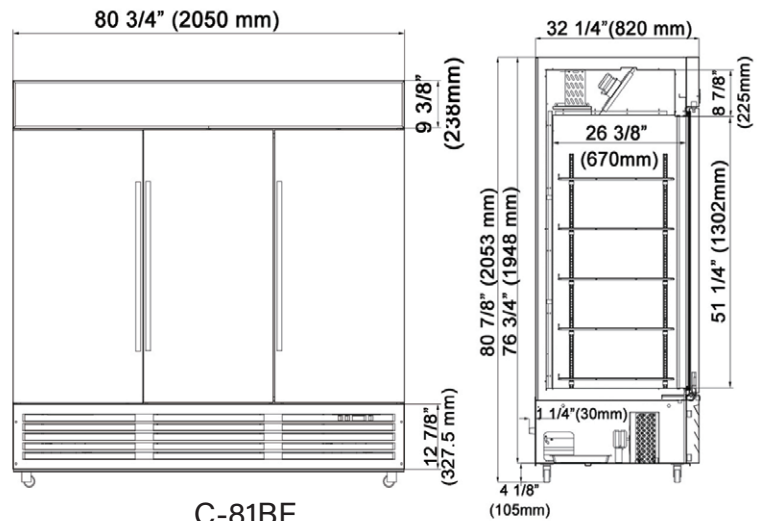
C-35BF



C-48BF



C-54BF



C-81BF