

Oil Filter



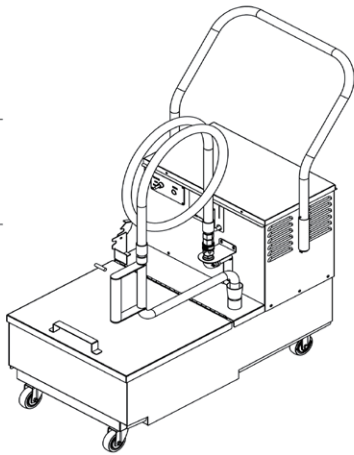
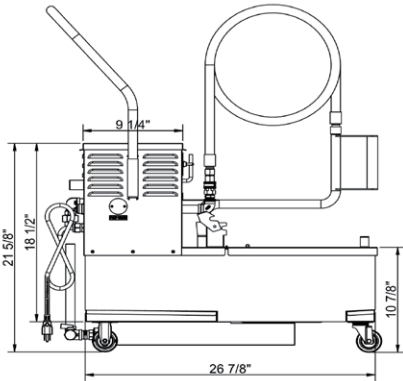
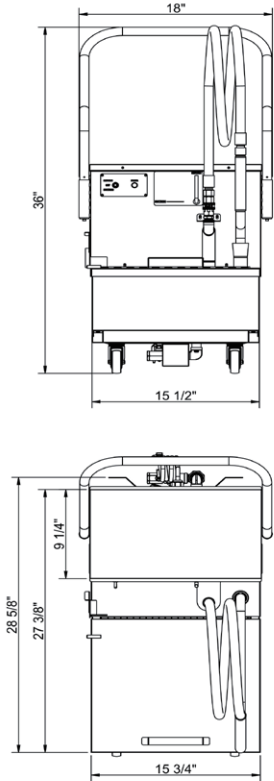
Model: EOF-85

STANDARD FEATURES

- Stainless steel structure
- Reverse pump for easy suction of oil
- Pre-filtering 300-micron screen basket
- Second deeper 10-micron filtration
- Quick disconnect filtering hose
- 3.5 GPM pump

Plan View

EOF-85



| Model | Exterior Size W x D x H (IN) | Power | V/Hz | Filtering Capacity | Capacity | N/W | G/W |
|--------|---------------------------------|--------|-----------|--------------------|----------|---------|---------|
| EOF-85 | 17 1/2 x 34 x 35 5/8 | 1/3 HP | 120V/60Hz | 3.5 GPM | 85 lbs | 113 lbs | 126 lbs |

