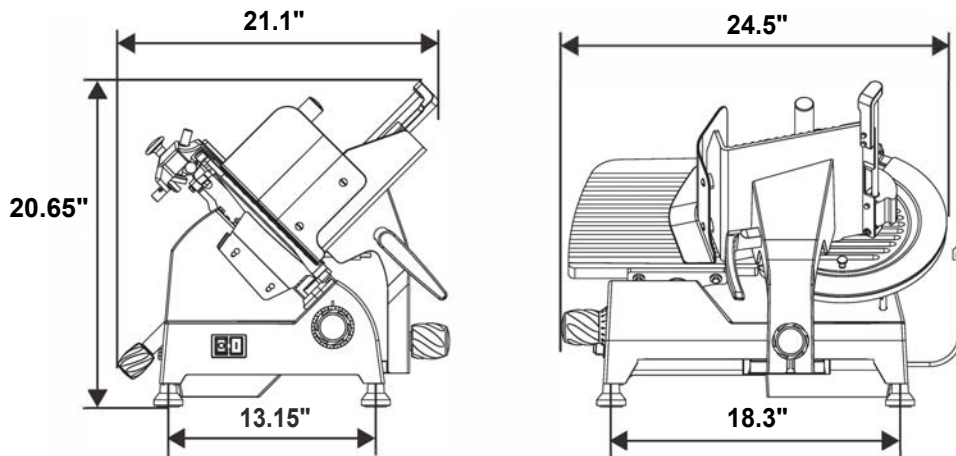


Anodized Elite Heavy-Duty Slicer



½ HP commercially rated motor
 12" blade crafted in Italy of tempered, hard chrome for long-lasting sharpness
 Anodized aluminum base and carriage ensures sturdy slicing
 High-efficiency, ventilated induction motor prevents overheating and runs quietly
 Belt-driven, with fixed blade for slicing ease and precision
 Easily adjustable slicing thickness from 0"-.59" (0-15mm)
 The sturdy base and tilt-out carriage design with removable blade make operation and cleanup exceptionally easy.
 Design in Italy



Model	Blade Diameter	Ext Dimensions (in)	Cutting Capacity	Horsepower	Wattage	V/Hz/Ph	NEMA Plug	Net Weight
1A-FS412	12"	24.5"W x 21"D x 20.65"H	6"Dx9.05"W	1/2 HP	350W	120V/60 Hz/1Ph	5-15P	57 lbs