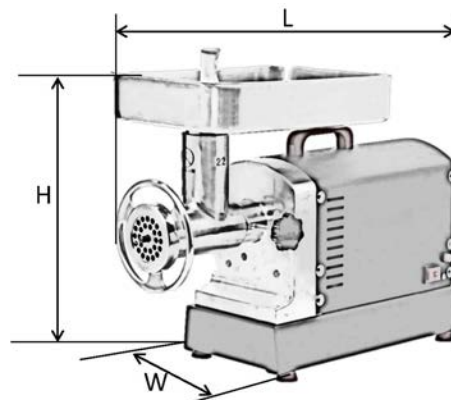


1A-EG7 Series Meat Grinder



Side-mounted on/off switch with cover
 Includes grinding plates with 3/16in. and 3/8in. holes, 3 sausage stuffing tubes and a high-capacity stainless steel discharge pan
 Heavy-duty carrying handle and extra-large nonslip feet for easy transport, safe use and longevity
 Grinder head ring nut for easy removal of grinder plates, auger and blade
 Stainless steel grinder plate and knife
 Integrated storage drawer for convenient storage



Model	Blade Diameter	Ext Dimensions (in) WXLXH	Outlet Speed	power	Capacity Per Hour (lb)	Meat Tray Size (inch)	V/Hz/Ph	Wattage	NEMA Plug	Net Weight
1A-EG712	12"	24.5 x 21x 20.65	150RPM	0.75HP	380-460	13x8.75x2.55	120V/60 Hz/1Ph	550W	5-15P	57 lbs
1A-EG722	22"	25.6x12.2x19.3	150RPM	1 HP	600-680	15.75X10.25X2.75	120V/60Hz/1Ph	750W	5-15P	75 lbs
1A-EG732	32"	26.9x12.2x19.3	150RPM	1.5 HP	780-840	15.75X10.25X3.55	120V/60Hz/1Ph	1100W	5-15P	85 lbs