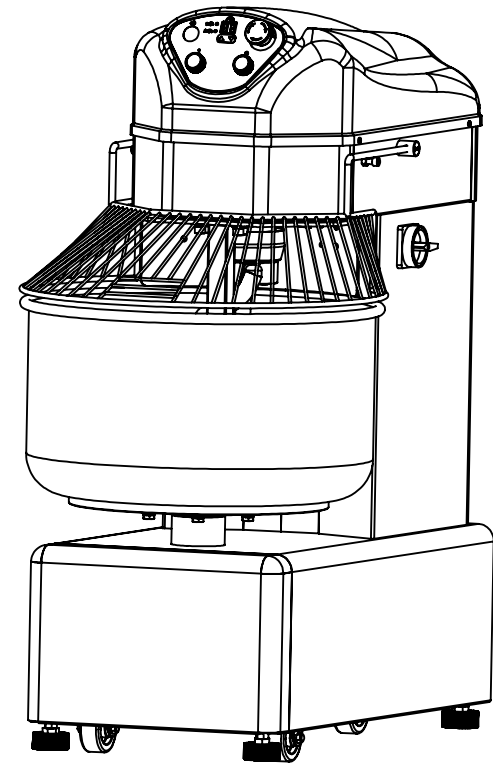


SM-30QT/ SM-40QT / SM-50QT

SPIRAL MIXER

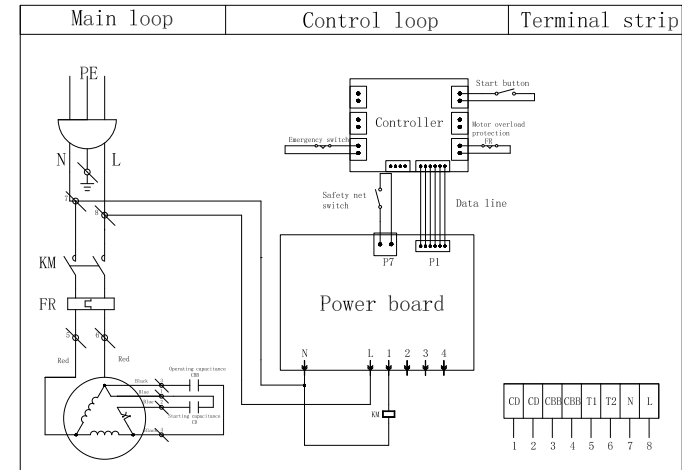


Operation Manual Index

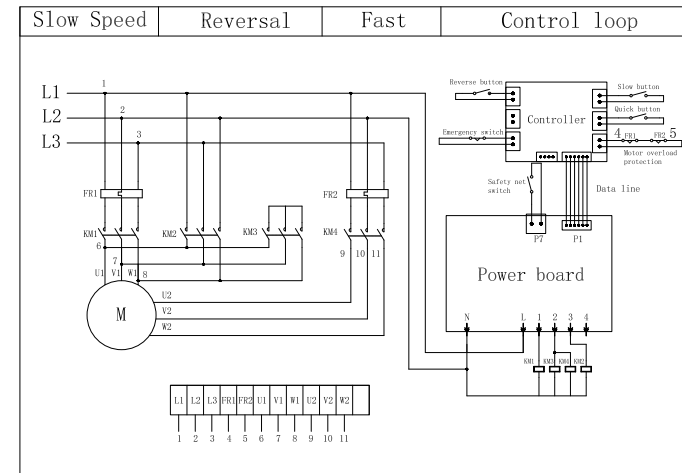
Figure 1 Exterior figure	1
Figure 2 Internal decomposition diagram	2
Technic parameter	3
Attention	4
Electric diagram	5

Electric diagram

1. SM-30QT



2. SM-40QT/SM-50QT



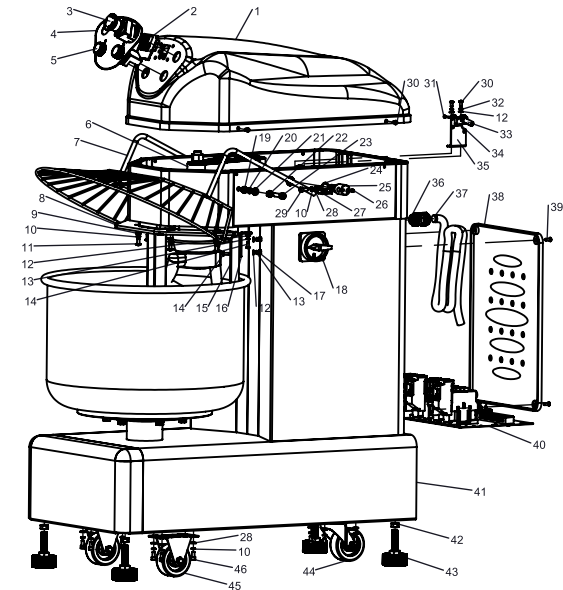
Attention

1. Before use, the machine must be placed on a level ground, and then the four supporting feet of the machine should be adjusted to make the machine run smoothly.
2. Before the first use of the new machine, please thoroughly clean the dough drum, dough hook, dividing rod and other parts in contact with food with warm water and dishcloth And dry;
3. A socket corresponding to the machine plug must be used. The plug must be grounded, that is, a 3-pin plug with a ground wire must be used, otherwise Households in the use of machine power will have the risk of electric shock;
4. In case of any emergency during the operation of the machine, please press the emergency stop button immediately.
5. To take out the dough, please open the safety net and press the "Dough" button to easily take out the dough. Please note that when you press the "dough" button, The machine can still reverse rotate the dough hook at the lowest speed so that the user can take out the dough, but keep your hand away from the hook to prevent crushing.
6. Please note that the inverter still has a discharge process of about 10 seconds after the power is disconnected, which is a normal phenomenon. When repairing, please do Must first unplug the power plug, waiting for the machine all display lights are off, before starting to repair, otherwise there will be the risk of electric shock.
7. The ground wire of the machine must be connected well, otherwise there will be a feeling of electric hemp, there will be the risk of electric shock.



Equipotential flag instructions: Identify the parts of a device or system that are connected to each other so that they are in phase Terminals of the same potential, which are not necessarily ground potential, such as local interconnections.

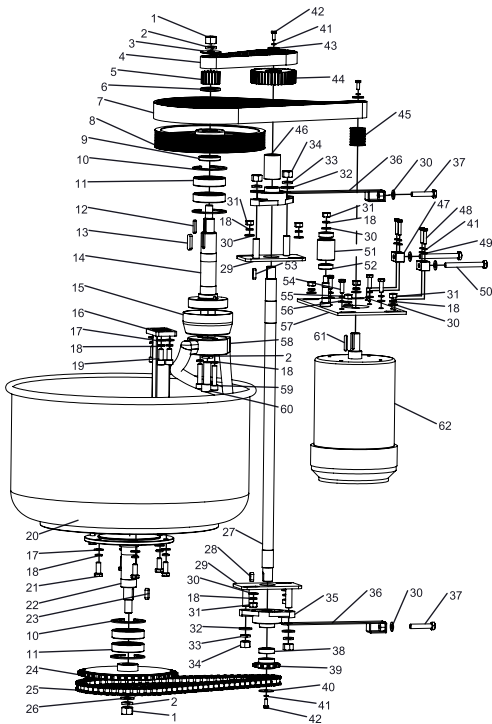
Figure 1 Exterior figure



No.	Names of spare parts	Quantity
1	top cover	1
2	control panel	1
3	emergency stop switch	1
4	control panel sticker	1
5	start switch	2
6	belt	1
7	safety net	1
8	board	1
9	gasket ring	4
10	spring ring	17
11	screw	4
12	gasket ring	8
13	spring ring	6
14	screw	6
15	baffle	1
16	baffle bracket	2
17	nut	4
18	power switch	1
19	nut	2
20	spring ring	2
21	gasket ring	2
22	nut	2
23	screw	2

No.	Names of spare parts	Quantity
24	stop ring	2
25	safety net axle	2
26	screw	4
27	net switch block	1
28	gasket ring	13
29	screw	1
30	screw	6
31	screw	2
32	spring ring	2
33	board	1
34	micro switch	1
35	net switch frame	1
36	cable joint	1
37	cable	1
38	rear cover	1
39	screw	1
40	electrical component	1
41	body	1
42	nut	4
43	adjustable support foot	4
44	swivel caster	1
45	fixed caster	2
46	screw	12

Figure 2 Internal decomposition diagram



No.	Names of spare parts	Quantity
1	nut	2
2	spring ring	3
3	upper gasket	1
4	timing belt	1
5	timing belt pulley	1
6	lower gasket	1
7	multi-wedge	1
8	multi-wedge pulley	1
9	space ring	1
10	stop ring for hole	4
11	bearing	4
12	key	1
13	key	1
14	spiral hook axle	1
15	decorative ring	1
16	dividing paste pole	1
17	gasket ring	10
18	spring ring	21

No.	Names of spare parts	Quantity
19	screw	4
20	bowl	1
21	screw	6
22	bowl axle	1
23	key	1
24	chain wheel	1
25	chain	1
26	gasket ring	1
27	middle axle	1
28	key	1
29	universal bearing plate	2
30	gasket ring	13
31	nut	9
32	gasket ring	4
33	spring ring	4
34	nut	4
35	bearing	2
36	pulling plate	2
37	screw	2
38	middle axle's lower ring	1
39	chain wheel	1
40	gasket ring	1
41	spring ring	7
42	screw	3
43	gasket ring	2
44	timing belt pulley	1
45	multi-wedge pulley	1
46	middle axle's upper ring	1
47	motor tension block	2
48	screw	4
49	gasket ring	4
50	screw	2
51	belt corner wheel	1
52	bearing	2
53	key	1
54	screw	4
55	spring ring	4
56	gasket ring	4
57	motor board	1
58	spiral hook	1
59	screw	2
60	screw	1
61	key	1
62	motor	1

Technic parameter

TYPE	SM-30QT	SM-40QT	SM-50QT
Rated volt (V)	120 ~	3-208 ~	3-208 ~
Rated frecuencia(Hz)	60	60	60
Rated power (W)	850	1500/850	1500/850
Input power (W)	1100	2100/1100	2100/1100
Number of motor poles (P)	6P	4P/8P	4P/8P
Max. spiral quantity(kg)	12.5	20	25
Bowl quantity(L)	28	45	66
Spiral speed(r/min)	181	136/241	136/241
Bowl speed(r/min)	18	14/24	14/24

Suggestion:

1. The paste occupies the capacity of barrel material 30%-60% suitably.
2. Flour water quantity is 55%-65%.
3. When the material is full, the machine can not work over 20 minutes continually.