

Grab and Go Refrigerator

self-serve counter case



Features

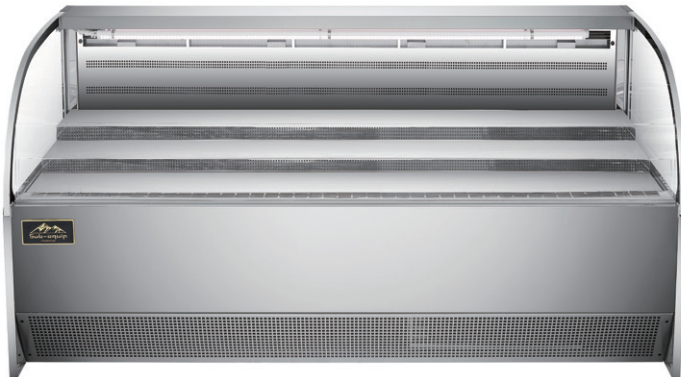
- All-steel base construction with Stainless Steel exterior
- Easily accessible light and power switch
- Rear access to refrigeration system for quick and easy service
- Adjustable leg levelers
- On-Demand PTC condensate evaporator provided for a totally self-contained system
- Stainless Steel step riser
- Auto defrosting and auto evaporation to prevent condensation
- Condensation pan efficiently evaporates excess water
- INTERIOR: Stainless steel
- EXTERIOR: Stainless steel
- Electrical: 115/60/1 with NEMA 5-15P plug, 10ft cord

Temperature

- Interior temperature range: 2°C to 8°C (36°F to 46°F)
- Ambient temperature upto 45°C (113°F)

Warranty

- 3 years parts and labour
- 5 years compressor warranty



Specifications

Model	Type	Dimensions W x D x H (in)	V/Hz/Ph	AMPS	Power	NEMA PLUG	Ship Weight(lbs)	Ship Data W x D x H (in)
GNG-C30	curved ends	30x34x33	115/60/1	9.26	601W/0.81HP	5-15P	287	33 1/2 x 38 1/4 x 40 7/8
GNG-C36	curved ends	36x34x33	115/60/1	9.65	750W/1.01HP	5-15P	309	39 1/4 x 38 1/4 x 40 7/8
GNG-C50	curved ends	50x34x33	115/60/1	10.02	820W/1.10HP	5-15P	353	53 x 38 1/4 x 40 7/8
GNG-C59	curved ends	59x34x33	115/60/1	11.34	1025W/1.37HP	5-15P	397	62 1/4 x 38 1/4 x 40 7/8
GNG-C77	curved ends	77x34x33	115/60/1	12.94	1098W/1.47HP	dual 5-15P	485	80 1/8 x 38 1/4 x 40 7/8

QAI LABORATORIES
SPE-1000
This product is subjected to the strict
inspection and testing procedures of QAI
Laboratories. All QAI products are
inspected and tested to meet or exceed
the industry standard. QAI is a
member of the International
Electronics Association (IEA).

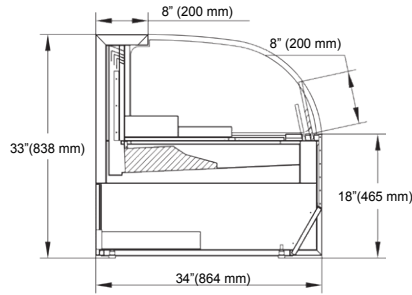
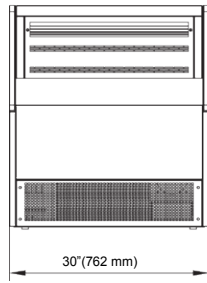
Inspected by QAI when the product bears the QAI SPE-1000 label

If the data and structure update, without notice, subject to material object

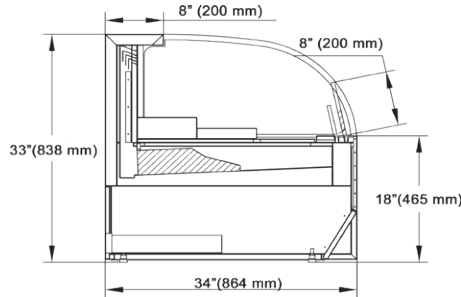
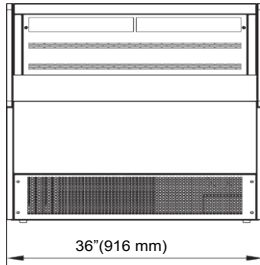
WARRANTY

Grab and Go Refrigerator

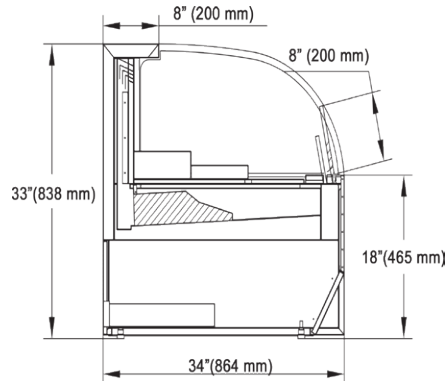
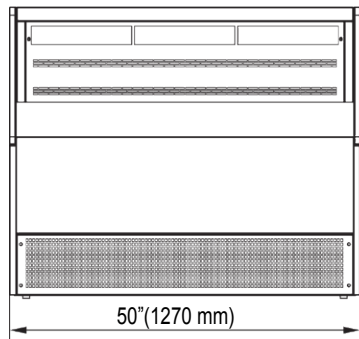
self-serve counter case



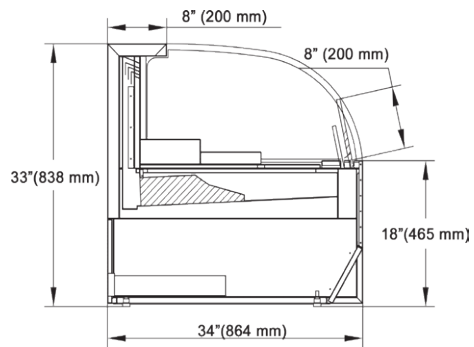
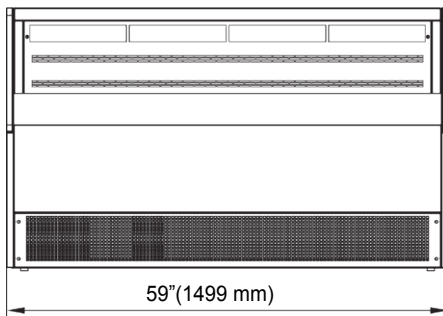
GNG-C30



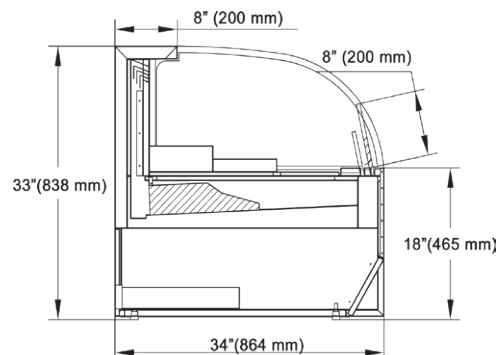
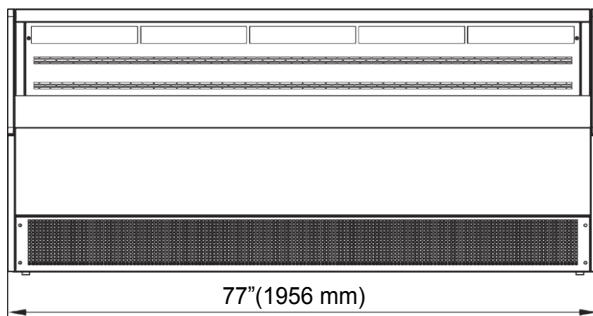
GNG-C36



GNG-C50



GNG-C59



GNG-C77



NEMA 5-15P



Inspected by QAI when the product bears the QAI SPE-1000 label
If the data and structure update, without notice, subject to material object

