

# Grab and Go Refrigerator

## self-serve counter case



### Features

- All-steel base construction with Stainless Steel exterior
- Easily accessible light and power switch
- Rear access to refrigeration system for quick and easy service
- Adjustable leg levelers
- On-Demand PTC condensate evaporator provided for a totally self-contained system
- Stainless Steel step riser
- Auto defrosting and auto evaporation to prevent condensation
- Condensation pan efficiently evaporates excess water
- INTERIOR: Stainless steel
- EXTERIOR: Stainless steel
- Electrical: 115/60/1 with NEMA 5-15P plug, 10ft cord

### Temperature

- Interior temperature range: 2°C to 8°C ( 36°F to 46°F)

### Warranty

- 3 years parts and labour
- 5 years compressor warranty



### Specifications

Model	Type	Dimensions W x D x H (in)	V/Hz/Ph	AMPS	Power	NEMA PLUG	Ship Weight(lbs)	Ship Data W x D x H (in)
GNG-C30	curved ends	30x34x33	115/60/1	9.26	601W/0.81HP	5-15P	287	33 1/2 x 38 1/4 x 40 7/8
GNG-C36	curved ends	36x34x33	115/60/1	9.65	750W/1.01HP	5-15P	309	39 1/4 x 38 1/4 x 40 7/8
GNG-C50	curved ends	50x34x33	115/60/1	10.02	820W/1.10HP	5-15P	353	53 x 38 1/4 x 40 7/8
GNG-C59	curved ends	59x34x33	115/60/1	11.34	1025W/1.37HP	5-15P	397	62 1/4 x 38 1/4 x 40 7/8
GNG-C77	curved ends	77x34x33	115/60/1	12.94	1098W/1.47HP	dual 5-15P	485	80 1/8 x 38 1/4 x 40 7/8



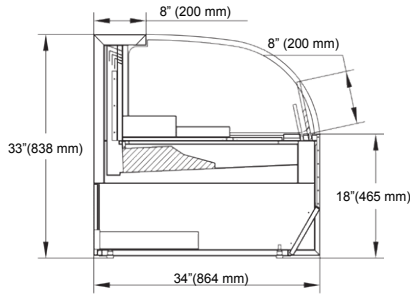
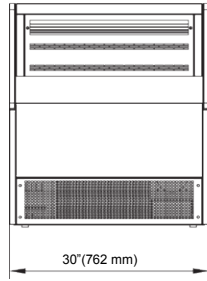
Inspected by QAI when the product bears the QAI SPE-1000 label

If the data and structure update, without notice, subject to material object

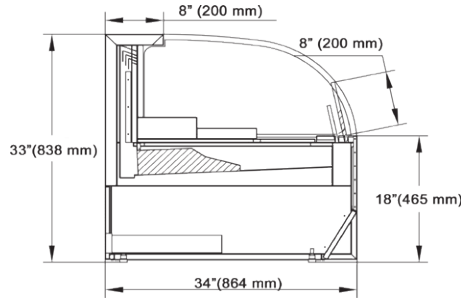
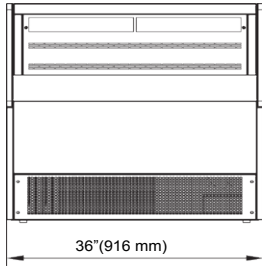


# Grab and Go Refrigerator

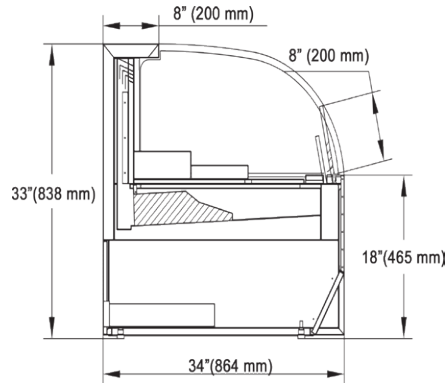
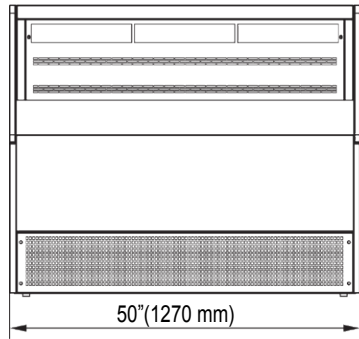
self-serve counter case



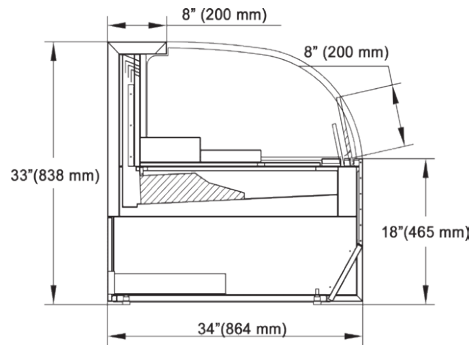
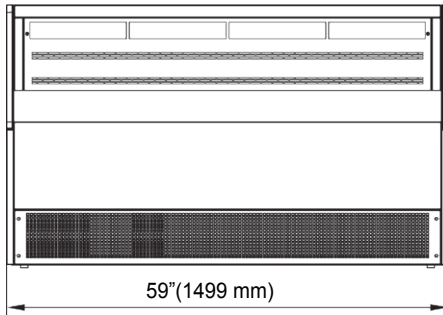
GNG-C30



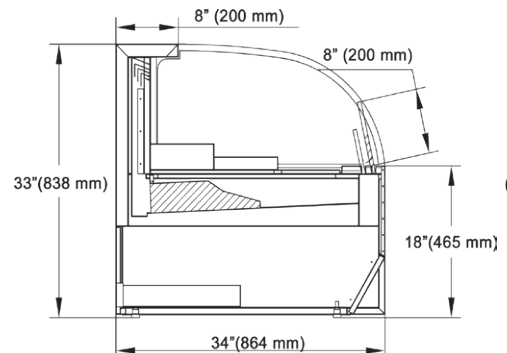
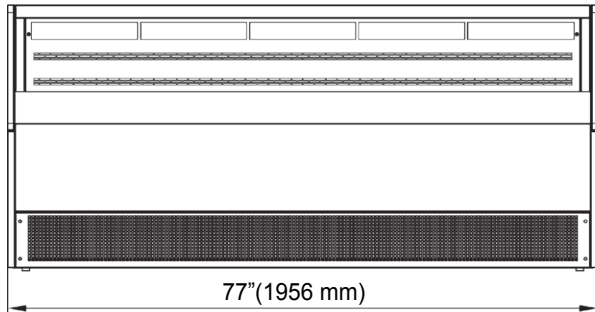
GNG-C36



GNG-C50



GNG-C59



GNG-C77



Inspected by QAI when the product bears the QAI SPE-1000 label  
If the data and structure update, without notice, subject to material object

