

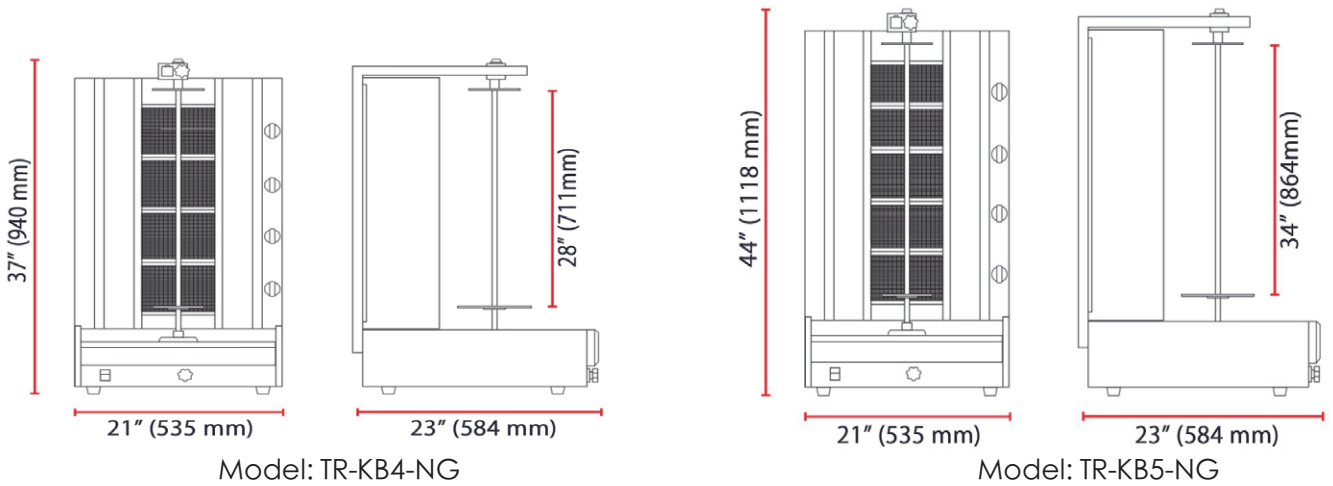
# Gas Vertical Broiler



- TR-KB4-NG Gas Vertical Broiler (4-burners)
- TR-KB5-NG Gas Vertical Broiler (5-burners)

## STANDARD FEATURES

- Stainless steel structure
- Individually controlled infrared burners
- Power up to 9,500BTU for NG and 8,000BTU for LPG
- Stainless steel heat shield on both sides
- Distance can be adjusted between cooking spit and burners
- Continuous pilot for instant ignition of main burner
- Stainless steel oil collector
- Designed for high performance and consistent results
- Heavy duty motors
- 3/4" NPT rear gas connection



Model	Exterior Size W x D x H	Split Height	Burners	Voltage	RPM	Gas Type	Manifold Pressure	Total BTU/Hr	Meat Capacity
TR-KB4-NG	21" x 23" x 37"	28"	4	120V	4	Nature Gas Liquid Propane	4"W.C. 10"W.C.	38,000 32,000	100 lb.
TR-KB5-NG	21" x 23" x 44"	34"	5	120V	4	Nature Gas Liquid Propane	4"W.C. 10"W.C.	47,500 40,000	130 lb.



Intertek

Intertek