

# STANDING REFRIGERATOR

350 Britannia Rd E, Unit 2-4, Mississauga, ON. L4Z 1X9 (905) 890-8008 | www.chefcoca.com  
 3816 Victoria Park Ave, North York, ON. M2H 3H7 (416) 490-1666 | www.chefcoca.com



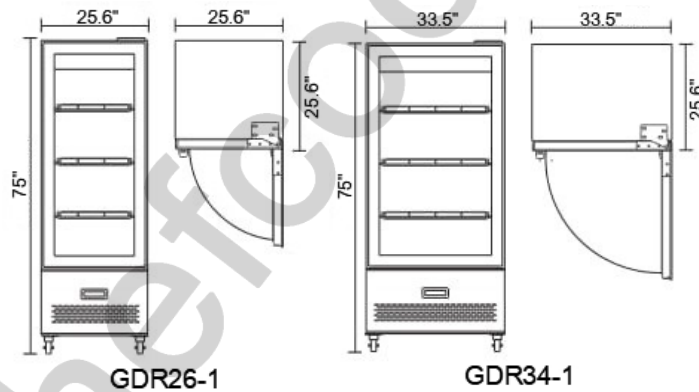
## AMERICAN SERIES

### GDR26-1



#### Standard Features:

- Brilliant Internal LED illumination on sides
- Digital temperature controller and display
- Adjustable chrome plated shelves
- Front flat glass door
- 4 sides double glass
- 4 Castors, 2 with brakes
- On / Off Switch
- Ventilated cooling system
- Automatic defrost



Product Model	GDR26-1	GDR34-1
Unit Dimension (WxDxH)	25.6"x25.6"x75"	33.5"x25.6"x75"
Packing Dimension (WxDxH)	29.5"x29.5"x81.1"	37.4"x29.5"x81.1"
Voltage	115V/60Hz	115V/60Hz
Power	495W	500W
Cooling System	Ventilated	Ventilated
Energy Class	DOE	DOE
Temperature	0-10°C	0-10°C
Type of Coolant	R290	R290