

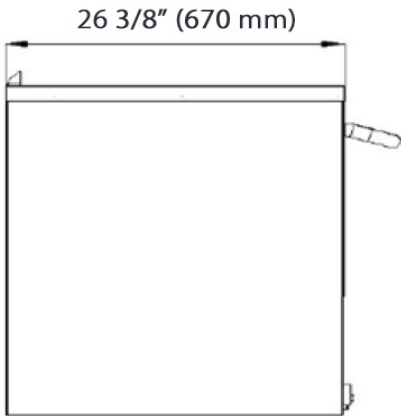
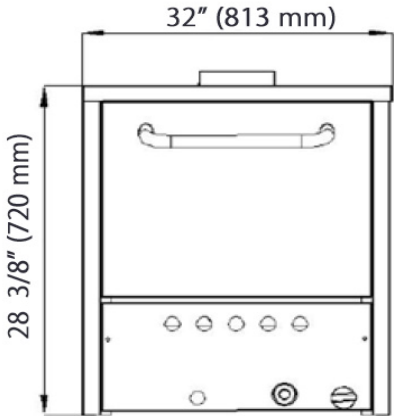
Gas Pizza Oven



Model: EPO-26

STANDARD FEATURES

- Stainless steel structure
- Stainless steel U shape burner
- Thermostat (120°F-650°F) controlled
- Good insulation outside chamber
- Hearth deck, perfect for pizza
- Two decks
- 3 positions with 2 3/4" distance in between
- Spring door system
- Stainless steel door interior and bottom plate
- V shape baffle for best heat distribution
- 3/4" NPT rear gas connection



Model	Exterior Size W x D x H	Chamber Dimension W x D x H	Total BTU/HR	Packing Size (IN)	N/W (LBS)	G/W (LBS)
EPO-26	32" x 26 3/8" x 28 3/8"	19 1/2" x 19 5/8" x 14 1/4"	32,000	35 x 33 x 33	230	260

