


AXIOM®-15-3 (2U/1L Warmer)

Height: 18.9" (48.0cm) Width: 8.4" (21.3cm) Depth: 22.1" (56.1cm)



- Adjusts automatically to varying water pressure
- For high lime areas, BrewLOGIC® technology calculates flow rate and adjusts brew time to maintain consistent pot levels
- Cold brew lock-out and automatic warmer time-out ensure high quality, fresh tasting coffee
- Front of machine programming simplifies installation
- For high lime areas, BrewLOGIC® technology calculates flow rate and adjusts brew time to maintain consistent pot levels
- Large 200oz. (5.9L) tank provides back-to-back brewing capacity
- Coffee extraction controlled with pre-infusion and pulse brew, digital temperature control, and large sprayhead; coffee strength controlled with variable by-pass.
- Energy-saver mode reduces tank temperature during idle periods
- Ensures coffee brew quality with cold brew lock out capability
- Hot water faucet
- SplashGard® funnel deflects hot liquids away from the hand
- Servers not included unless otherwise noted

 Server(s) sold separately

Agency:

Specifications

Product #: 38700.6000

Water Access: Plumbed

Finish: Stainless

Funnel: Black Plastic

Faucet: Upper

Warmers: Two Upper/ One Lower

Additional Features

DBC

Electrical & Capacity

| Volts* | Amps | Watts | Cord Attached | Plug Type | 8oz cups/hr 236ml cups/hr | Input H ₂ O Temp. | Phase | # Wires plus Ground | Hertz |
|--------|------|-------|---------------|-----------|------------------------------|---------------------------------|-------|------------------------|-------|
| - | - | - | - | - | 72 | 60°F (15.5°C) | - | - | - |

*When a BUNN is machine rated 120/208-240V, 120/208V or 120/240V, the higher voltage is the supply voltage needed to power the machine. The 120V is there to supply power to some components rated 120V in the machine, but it is not the supply voltage and would not power the machine if the machine is marked with the before mentioned ratings.

Plumbing Requirements

| PSI | kPa | Fitting Supplied | Water Flow Required (GPM) |
|-------|---------|-------------------------|---------------------------|
| 20-90 | 138-621 | 1/4" Male Flare Fitting | - |

CAD Drawings

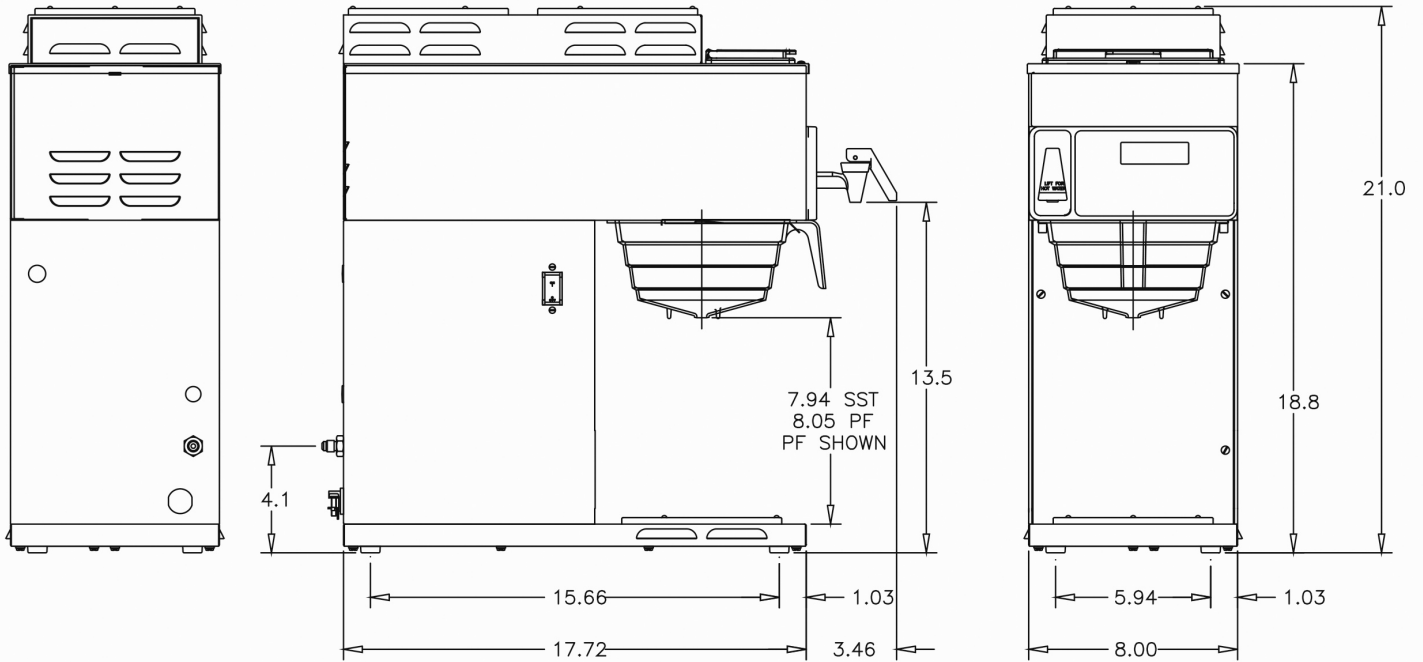
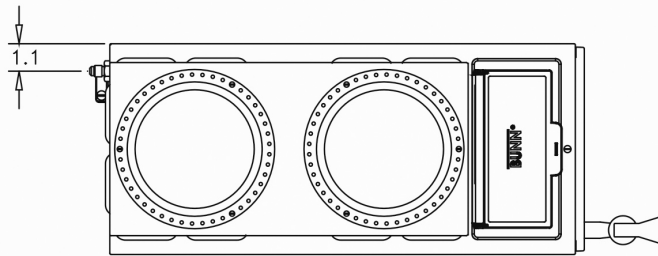
| 2D | Revit | KLC |
|----|-------|-----|
| ● | | |

 **WARNING:**



BUNN® reserves the right to change specifications and product design without notice. Such revisions do not entitle the buyer to corresponding changes, improvements, additions or replacements for previously purchased equipment. For most current specifications and other info visit bunn.com.

Last Updated:
12/15/2022



| Unit | | | | Shipping | | | | |
|---------|----------|---------|----------|----------|----------|----------|--------|-----------------------|
| | Height | Width | Depth | Height | Width | Depth | Weight | Volume |
| English | 18.9 in. | 8.4 in. | 22.1 in. | 23.8 in. | 12.5 in. | 26.5 in. | - | 4.566 ft ³ |
| Metric | 48.0 cm | 21.3 cm | 56.1 cm | 60.3 cm | 31.8 cm | 67.4 cm | - | 0.129 m ³ |



BUNN® reserves the right to change specifications and product design without notice. Such revisions do not entitle the buyer to corresponding changes, improvements, additions or replacements for previously purchased equipment. For most current specifications and other info visit bunn.com.

Last Updated:
12/15/2022

Related Products & Accessories: AXIOM®-15-3 (2U/1L Warmer)(38700.6000)



FUNNEL W/DECAL, PPK
NAR BLK (SM)

Product #: 02774.0011



FUNNEL W/DECAL, PPK
NAR BLK (LG)

Product #: 04274.0012



STOVE, WX2 120V/200W

Product #: 06310.6000



STOVE, WX1 120V/100W

Product #: 06450.6000



FILTERS, REG/1M

Product #: 20115.6000



FUNNEL ASSY, SST-BLK
HDL (7.12)

Product #: 20216.0000



FUNNEL ASSY, SST-PP
BLK HDL

Product #: 29151.0000



FUNNEL ASSY, SST-PP
ORANGE HDL

Product #: 29151.0001



WATER FILTER
SYSTEM, EQ-17-TL

Product #: 30200.1000



WATER FILTER, IN LINE
ED-17-TL

Product #: 30201.1001



SYSTEM, WEQ-10 (1.5) 5L

Product #: 56000.0024



CARTRIDGE, WEQ-10
(1.5) 5L

Product #: 56000.0121



CARTRIDGE, WEQ-10.3
(1.67) 5L

Product #: 56000.0137



BUNN® reserves the right to change specifications and product design without notice. Such revisions do not entitle the buyer to corresponding changes, improvements, additions or replacements for previously purchased equipment. For most current specifications and other info visit bunn.com.

Last Updated:
12/15/2022

Serving & Holding Options: AXIOM®-15-3 (2U/1LWarmer)(38700.6000)



EASY POUR®,(BLK) 1/CS

Product #:06100.0101



EASY POUR®,(BLK) 2/CS

Product #:06100.0102



EASY POUR®,(BLK) 3/CS

Product #:06100.0103



EASY POUR®,(BLK) 6/CS

Product #:06100.0106



EASY POUR®,(BLK) 12/
CS

Product #:06100.0112



EASY POUR®,(BLK) 24/
CS

Product #:06100.0124



EASY POUR®,(ORN) 1/
CS

Product #:06101.0101



EASY POUR®,(ORN) 2/
CS

Product #:06101.0102



EASY POUR®,(ORN) 3/
CS

Product #:06101.0103



EASY POUR®,(ORN) 24/
CS

Product #:06101.0124



DECANTER, GLASS-BLK
12C 24/CS

Product #:42400.0024



DECANTER, GLASS-BLK
12CUP 1PK

Product #:42400.0101



DECANTER, GLASS-BLK
12C 3/CS

Product #:42400.0103



DECANTER, GLASS-ORN
12C 24/CS

Product #:42401.0024



DECANTER, GLASS-
ORN 12 CUP 1PK

Product #:42401.0101



DECANTER, GLASS-ORN
12C 3/CS

Product #:42401.0103



BUNN® reserves the right to change specifications and product design without notice. Such revisions do not entitle the buyer to corresponding changes, improvements, additions or replacements for previously purchased equipment. For most current specifications and other info visit bunn.com.

Last Updated:
12/15/2022