

The Newest Technology made ideal Mass-Production come true

# ASM865A Maki Maker

No more...



Unstable speed,  
quality and rice amount



## Stable Quality



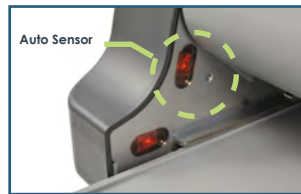
ASM865A can evenly produce rice sheets easily without touching with your hands. It controls the quality of your sushi rolls and customer satisfaction.

## Non-usage of Teflon



By not using Teflon on the slide base, the concern about food contamination is eliminated.

## Auto Function



Automatic Supply Function is applicable for continuous rice sheet production.

## Easy Update



Updates can be done very easily. Updates can be uploaded via the USB port with the minimal.



CONFORMS TO UL STD 763:  
NSF STD 8  
CERTIFIED TO CAN/CSA C22 2 STD No 195

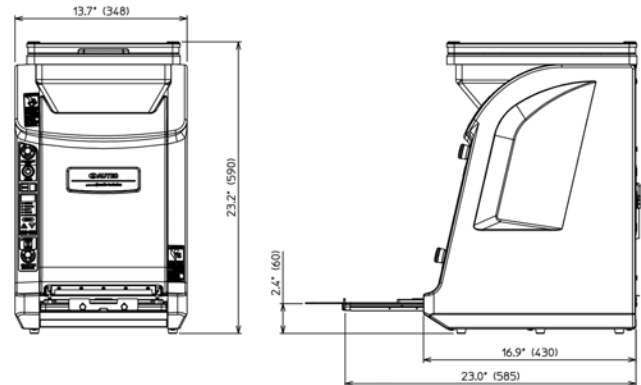
## Better quality rice sheet making for higher productivity!

\*Up to 1300 rice sheets can be produced per hour. Great way to reduce labor intensive work of making sushi rolls.

\*The Most Compact Model Ever specialized in rice sheet production.

\*Safety functions are equipped with safety Sensors.

\*Exceptionally Simple Structure with no small parts makes easy daily maintenance and less chances of troubles.



Power Supply	AC120V, 60 Hz
Power Consumption	115W 1A
Production Rate	Up to 900-1300sheets/hour
Rice Mat Sizes	Width: Approx. 7.4"/ 8.2" Length: Approx. 1.2"-8.6"(Short - Long) Thickness: Approx. 0.2" - 0.6"(Thin-Thick) Nori Size: 7.4"x4.2"~8.4" Note: Adjustment required depending on the condition of rice.
Hopper Capacity	Approx. 18.1 lbs. (6.0kg)
Weight	Approx. 70.51lbs.(32kg)