

## SLICING

**Berkel****827A-PLUS**  
GRAVITY FEED SLICER

Model 827A-PLUS

**STANDARD FEATURES**

- 1-speed, ½ HP, totally enclosed and permanently lubricated knife motor.
- Furnished in 115/60/1, 4.0 amp, AC, ETL listed.
- Finish is stainless steel and sanitary anodized aluminum; unit disassembles quickly without tools for easy cleaning.
- 45° product table with removable meat pusher.
- Nominal 12" (300 mm) diameter; hollow ground, hardened and polished forged chromium-plated carbon steel knife.
- Carriage handles food up to 10¾" (273 mm) wide, by 7⅝" (194 mm) high or 7⅜" (187 mm) diameter.
- Precise slice adjustment to a thickness of 9/16" (14 mm).
- Top-mounted, two stone knife sharpener produces a consistently sharp knife edge.
- Permanent, tapered knife ring guard covers non-slicing portion of knife even when the center plate is removed; ring guard design provides more room behind the knife for easy cleaning.
- Positive, moisture protected, on/off switch with power light indicator.
- Attached 6-foot, flexible, 3-wire cord and plug for grounded receptacle (5-15P).

**FEATURES**

Berkel Model 827A-PLUS manual gravity feed slicer features Berkel's hollow ground chromium-plated, carbon steel knife and built-in sharpener. The permanent, tapered guard covers the non-slicing portion of the knife, even when the center plate is removed. The 45° table makes product feed easier, creating more consistent and uniform slices with less waste. The ½ HP motor, 12" knife and large product table are ideal for handling oversize meats, cheeses and a variety of other products. The 827A-PLUS is easy to clean and disassembles quickly without tools. The compact space-saving design is ideal for limited kitchen counter space.

**COMPLIES WITH NSF/ANSI STANDARD #8****Berkel**

a division of ITW Food Equipment Group LLC

www.berkequipment.com

P.O. Box 696 ■ Louisville, KY 40201 ■ Toll-free: 1-800-814-2028 ■ Local: 502-778-2791 ■ Quote &amp; Order Fax: 1-800-444-0602

# Berkel

## 827A-PLUS GRAVITY FEED SLICER

### SPECIFICATIONS

**Motor:** 1-speed, ½ HP, totally enclosed, permanently lubricated ball bearings, thermally protected.

**Electrical:** Furnished in 115/60/1, 4.0 amp, AC, ETL listed.

**Finish/Construction:** All food contact areas are stainless steel or anodized aluminum including the pusher, gauge plate, product table, center plate, knife ring guard and one-piece base. Slicer disassembles quickly without tools for easy cleaning.

**Knife:** Nominal 12" (300 mm) diameter, hollow ground, hardened and polished forged chromium-plated carbon steel, rotates at 380 rpm.

**Cutting Capacity:** Carriage handles food up to 10¾" (273 mm) wide by 7⅝" (194 mm) high or 7⅜" (187 mm) diameter.

**Slice Thickness:** Precision system provides infinite slice adjustment and consistent cuts of hard or soft foods from tissue thin to ⅞" (14 mm).

**Full Gravity Feed:** Full 45° angle feed requires less mechanical pressure. Equipped with removable anodized aluminum pusher to hold product and minimize waste.

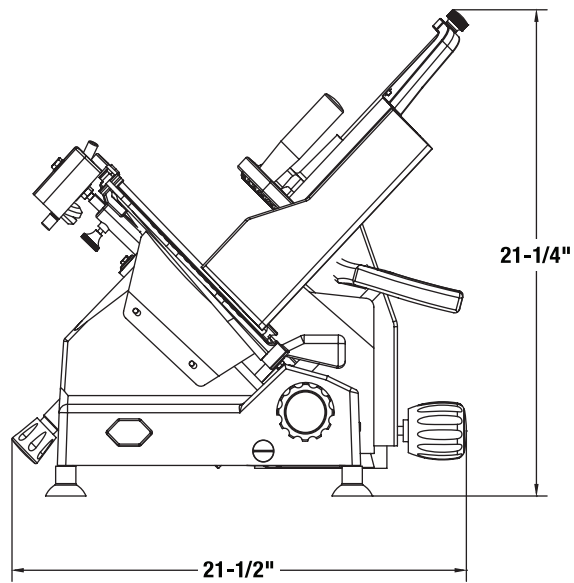
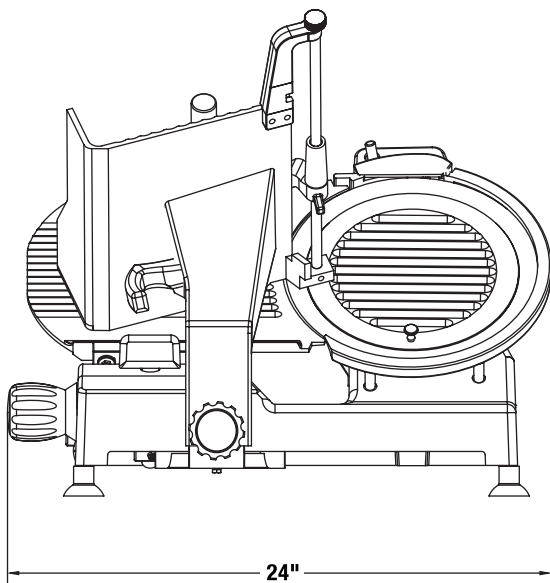
**Knife Sharpener:** Top mounted, two stone system for a lasting, razor-sharp edge.

**Knife Ring Guard:** Permanent, tapered guard covers non-slicing portion of knife edge even when the center plate is removed. The ring guard is designed to provide added room behind the knife for easy cleaning.

**On/Off Switch:** Highly reliable, moisture resistant, on/off switch with power light indicator.

**Cord and Plug:** Attached 6-foot, flexible, 3-wire cord and plug for grounded receptacle (5-15P).

**Warranty:** All parts, service and travel coverage for one year, excluding wear items.



MODEL NUMBER	CUTTING CAPACITY	SLICE THICKNESS	KNIFE DIA.	PRODUCT DIMENSIONS		
				WIDTH	DEPTH	HEIGHT
827A-PLUS	10¾" (273 mm) wide 7⅝" (194 mm) high 7⅜" (187 mm) diameter	to ⅞" (14 mm)	12" (300 mm)	21½" (546 mm)	24" (610 mm)	21¼" (540 mm)

MODEL NUMBER	MOTOR	ELECTRICAL	WEIGHT	BOX DIMENSIONS		
				WIDTH	DEPTH	HEIGHT
827A-PLUS	1-speed ½ HP	115/60/1 4.0 amps	Net 60 lbs. (28 kg) Ship 74 lbs. (34 kg)	23½" (597 mm)	32½" (826 mm)	27¾" (705 mm)

**Berkel** a division of ITW Food Equipment Group LLC

[www.berkequipment.com](http://www.berkequipment.com)

P.O. Box 696 ■ Louisville, KY 40201 ■ Toll-free: 1-800-814-2028 ■ Local: 502-778-2791 ■ Quote & Order Fax: 1-800-444-0602

**NOTE:** As we continually strive to improve our products, specifications are necessarily subject to change without notice.