



OWNER/OPERATOR MANUAL



MODELS

B9-SLC

B10-SLC

B12-SLC

B14-SLC

SLICERS

IMPORTANT NOTICE

This manual contains Important Safety Instructions which must be strictly followed when using this equipment.

BEFORE USING THIS EQUIPMENT

Berkel's slicers are designed to slice meat and other food products safely and efficiently. However, unless the operator is properly trained and supervised, there is the possibility of a serious injury. It is the responsibility of the owner to ensure that this slicer is used properly and safely, strictly following the instructions contained in this manual and any requirements of local law.

No one should use or service this slicer without proper training and supervision. All operators should be thoroughly familiar with the procedures contained in this manual. Even so, Berkel cannot anticipate every circumstance or environment in which its slicers will be used. You, the owner and/or operator, must remain alert to the hazards posed by the function of a slicer—particularly the sharp rotating blade and moving table. No one under 18 years of age should operate this equipment. If you are uncertain about a particular task, ask your supervisor.

This manual contains a number of safe practices in the General Safety Instruction Section. Additional warnings are placed throughout this manual.

WARNINGS RELATED TO YOUR PERSONAL SAFETY ARE INDICATED BY:

WARNING

If any warning label, wall chart or manual becomes misplaced, damaged or illegible, please contact your nearest distributor or Berkel directly, for a free replacement.

Remember, however, **THIS MANUAL OR THE WARNING LABELS DO NOT REPLACE THE NEED TO BE ALERT AND TO USE YOUR COMMON SENSE WHEN USING THIS SLICER.**

TABLE OF CONTENTS

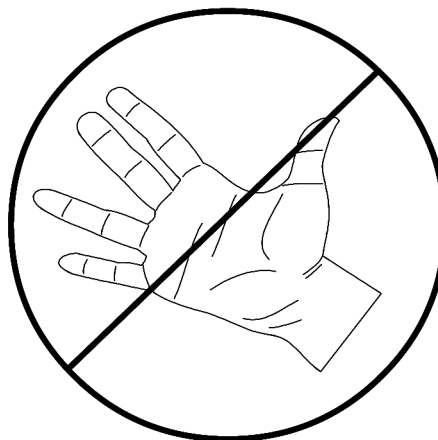
	<i>Page</i>
General Safety Instructions.....	2
Equipment Description.....	5
Unpacking and Installation	6
Operation.....	6
Cleaning and Sanitizing Instructions.....	7
Sharpening Instructions	14
Gasket Inspection	15
Repair Parts/Repair Service.....	16
Troubleshooting.....	17
Warranty	18



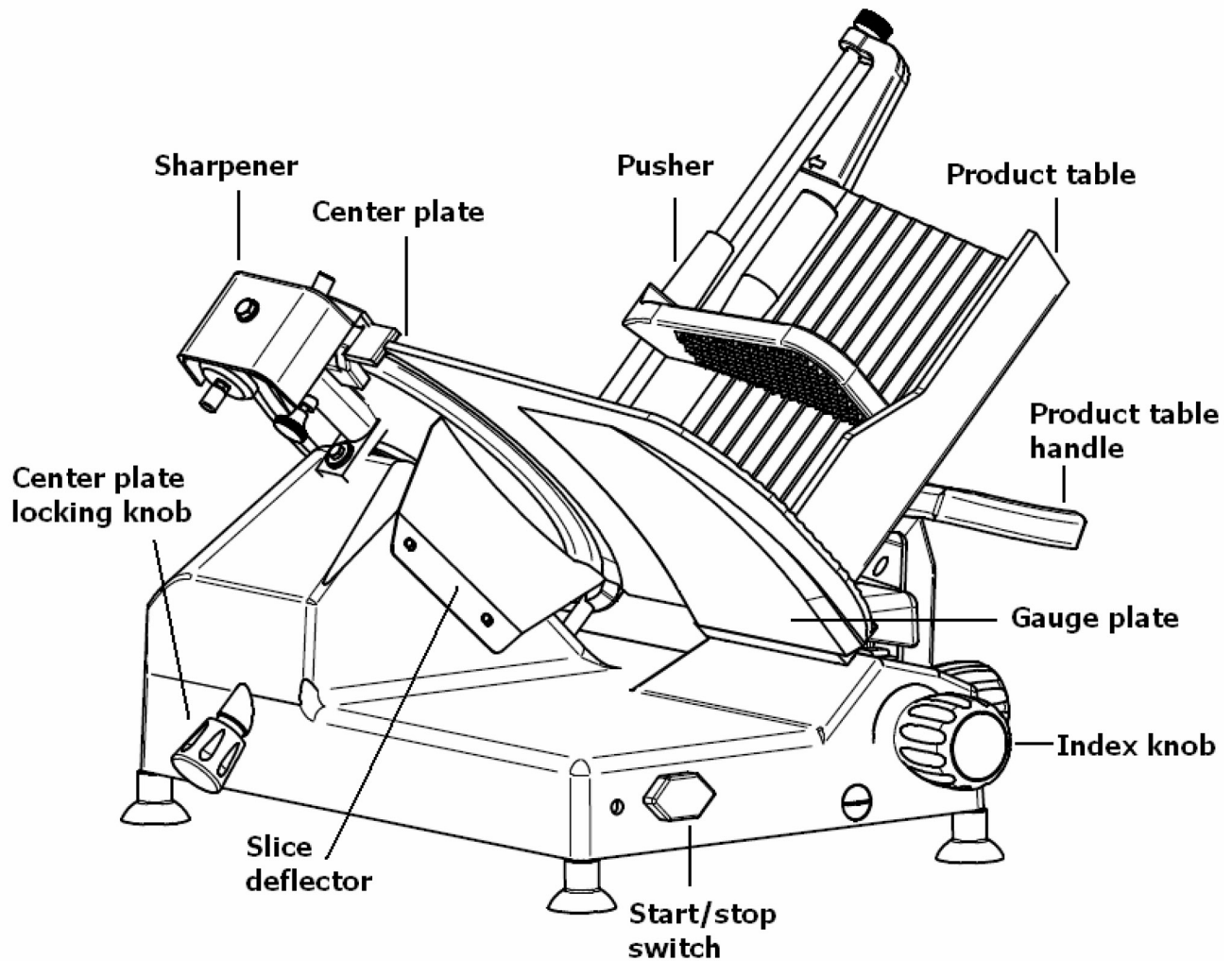
ITW Food Equipment Group, LLC
701 S. Ridge Avenue • Troy, OH 45373
Phone: 800-348-0251 • Fax 888-888-2838
www.berkeequipment.com

⚠ WARNING
SHARP KNIFE BLADE
to avoid serious personal injury
follow all the instructions in this manual.

1. NEVER touch this machine without training and authorization by your supervisor.
2. MACHINE MUST BE on solid level support.
3. GUARDS MUST BE in place before plugging in and turning on machine.
4. ALWAYS use three pronged plug provided.
5. ALWAYS use food pusher not your hand.
6. NEVER TOUCH ROTATING KNIFE.
7. KEEP hands, arms, hair and loose clothing clear of all moving parts.
8. SHOULD MACHINE JAM, turn off and unplug before removing obstruction.
9. TURN OFF AND UNPLUG machine from power source before cleaning, sanitizing or servicing.
10. USE ONLY the attachments provided by the manufacturer.
11. SHOULD any warning label on a machine come off or become unreadable, contact the manufacturer or your Designated Berkel Service Location for a free replacement.



Equipment Description



WARNING

**To avoid serious personal injury, properly
install slicer in adequate work area**

- ALWAYS use a qualified technician for installation.
- ALWAYS install slicer in work area with adequate light and space.
- ONLY operate slicer on a solid, level support.
- NEVER bypass or alter switches or circuits.
- NEVER operate slicer without all guards installed.
- NEVER operate slicer without all warning stickers and wall charts posted.

Unpacking and Installation

UNPACKING AND ASSEMBLY

- When the slicer has been unpacked and removed from its shipping carton, it should be checked carefully for any damage that may have occurred during shipment. Do not plug in the power cord or attempt to operate the slicer prior to this examination.
- Carefully check all slicer components such as the product table, pusher, sharpener, thickness control knob, etc., to make certain they move freely and that there are no obstructions. Turn the thickness control knob as far right as possible. Lubricate the pusher slide bar (on the product table) and the square and round table support rails (underside of slicer) with Berkel Food Machine Oil.

WARNING

Use only USDA-authorized oil on this slicer. Non USDA-authorized oil may contaminate this slicer and cause food poisoning and personal injury. Berkel Food Machine Oil is an USDA-authorized oil for food processing equipment. Berkel Food Machine Oil can be purchased in 2 oz. bottles (Part #4675-0182), 16 oz. bottles (Part #4675-0183) or gallons (Part #4675-0184).

Testing Prior To Operation

1. Make sure that the ON/OFF switch is on the "Off" position and the thickness control knob is turned as far to the right as possible. This positions the gauge plate so the knife is not exposed during testing.
2. Plug the power cord into a grounded 120V AC electrical outlet.
3. Slide the product table back and forth holding on to the Product Table Handle. If there is any rough operation or obstruction, shut off, unplug power cord and call your Berkel servicer.
4. Turn the slicer on by clicking on the "On" position and check for smooth knife rotation. Turn the slicer OFF.

WARNING

WHEN MOVING THE PRODUCT TABLE, GRASP ONLY THE PRODUCT TABLE HANDLE.

Operation

General

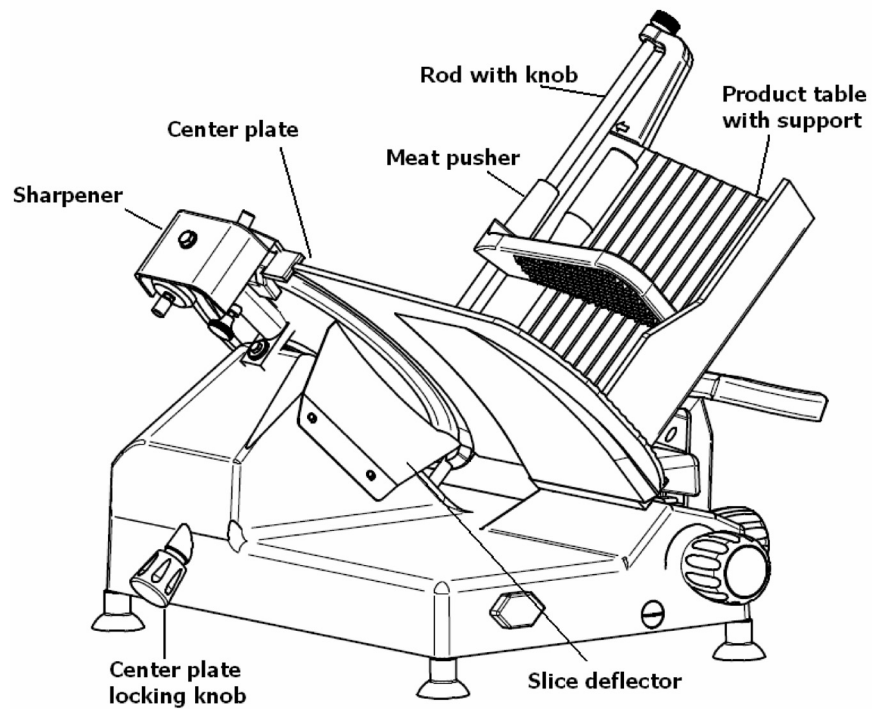
1. Rotate the pusher out of the way of the product table and place in the stop at the bottom of the table. Place product to be sliced on the product table. Position the pusher at the end of product. If the product you're slicing is long, place the pusher on top of the product. The pusher will feed the product toward the knife after each slice.
2. Turn the slicer ON.
3. The thickness control knob allows you to vary the thickness of the slices from paper thin to approximately 9/16" thick. To make thinner slices, turn the thickness control knob to the right. For thicker slices, turn the knob to the left.
4. A handle is provided on the product table to move it back and forth.

Cleaning And Sanitizing Instructions

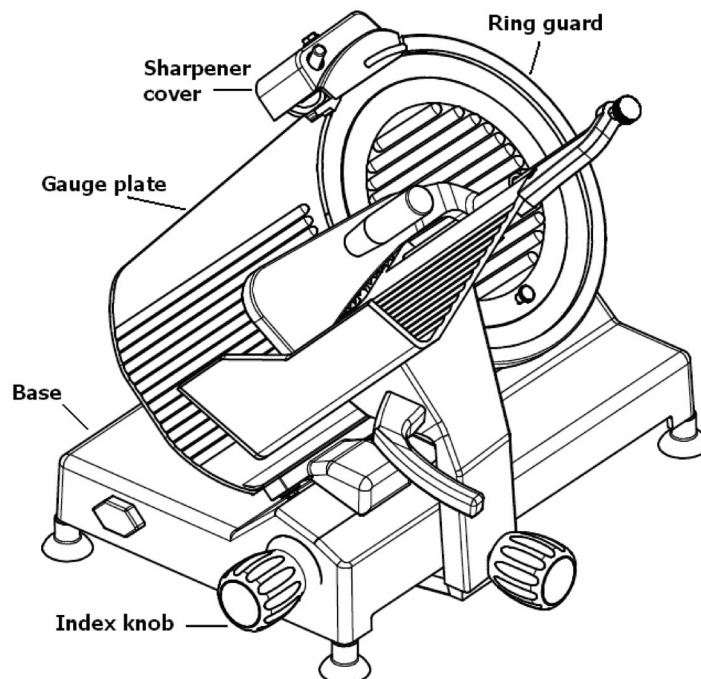
GENERAL INFORMATION

This machine shall be cleaned and sanitized at intervals to comply with national, state and/or local health codes. We recommend that the machines should be properly cleaned at least once a day; if necessary even more. If the machines have not been used for a while they must be cleaned before use as well.

PARTS THAT MUST BE REMOVED FOR CLEANING

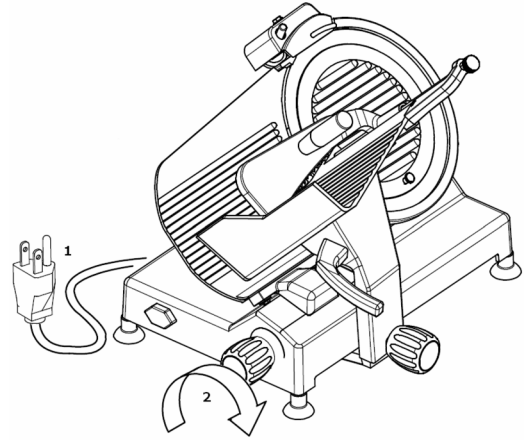


OTHER PARTS THAT MUST BE CLEANED



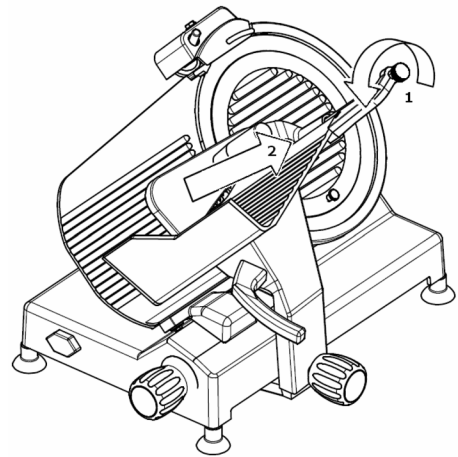
DISASSEMBLING THE MACHINE FOR CLEANING

1. Disconnect the plug from the electric mains supply.
2. Turn the regulating knob of the thickness plate to '0'.
3. Remove the various components as described in the following paragraphs.



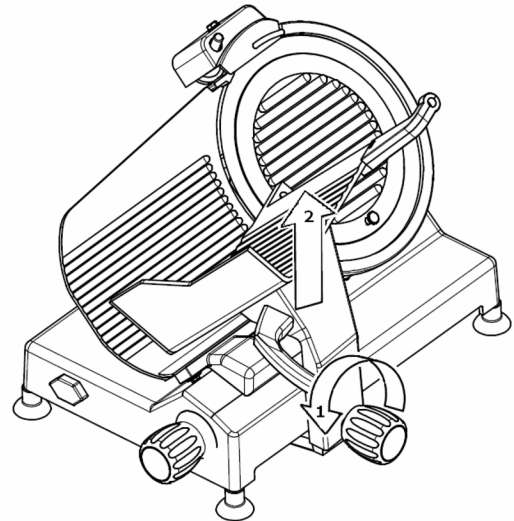
Disassembling the Meat Pusher

1. Unscrew the knob in order to extract the rod from the tray.
2. Remove the meat pusher.



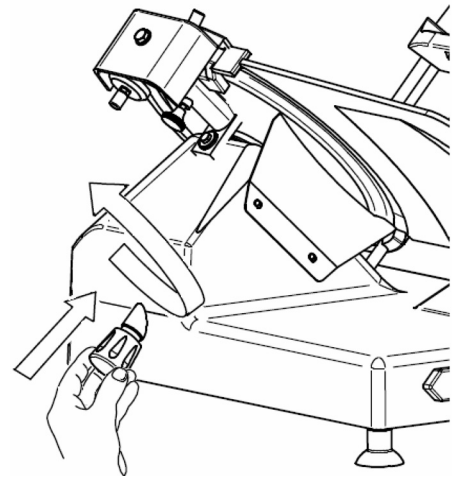
Disassembling the Product Table

1. Turn the locking knob counter clockwise all the way, removing the knob itself.
2. Take out the whole group by pulling it upwards.



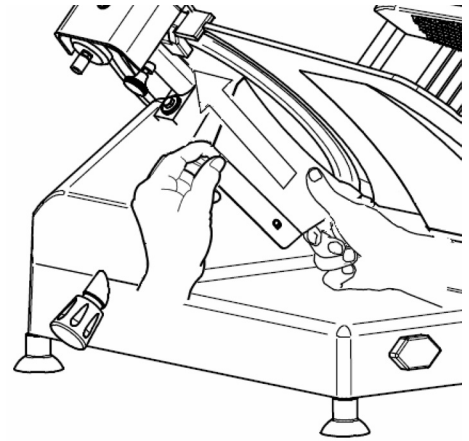
Disassembling the Center Plate

1. Unscrew the center plate locking knob.
2. Push on the knob to move the center plate off the knife.
3. Remove both the center-plate and the locking knob.



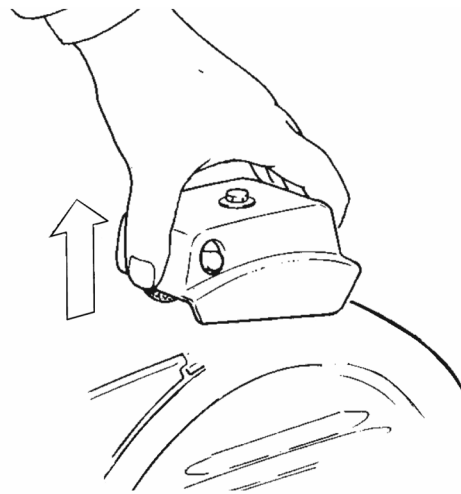
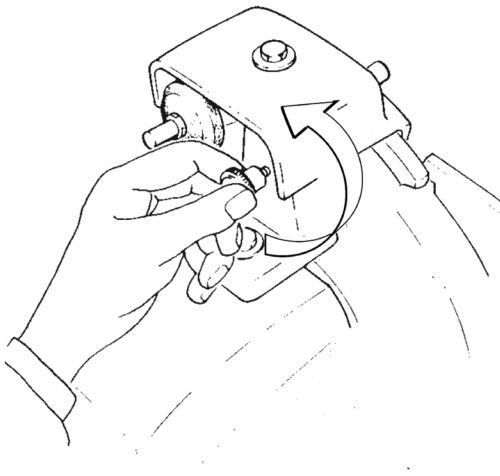
Disassembling the Slice Deflector

1. Remove the slice deflector which is attached to the main slicer body, as shown in the picture.



Disassembling the Sharpener

1. Loosen the knob below the sharpener block without removing it.
2. Then remove the whole sharpener by pulling upwards.



PRODUCTS TO BE USED FOR CLEANING

Only use hot water and a biodegradable detergent for dishes with a 7-8 PH, at a temperature of no lower than 30°C or (86°F) using a soft, spongy cloth and a semi-rigid nylon brush for the plate and the food press.

The sanitizer concentration shall comply with Section 4-501.114, Manual and Mechanical Warewashing Equipment, Chemical Sanitization – Temperature, pH, Concentration, and Hardness of the FDA Food Code. Berkel recommends using USDA approved sanitizer, Berkel part number 4975-00400.

If a chemical sanitizer other than chlorine, iodine or quaternary ammonium is used, it shall be applied in accordance with the EPA-registered label use instructions.

WARNING

For cleaning the sharp areas of the plates, the food press and the blade, we recommend using protective gloves.

Rinse well with a lot of hot clean water and dry with a soft cloth or a spongy material. Do not clean the slicer with water or stream jets or similar methods.

Clean all the removed parts using a cloth and a cleaning solution. Rinse with hot water. Sanitize and let air dry.

Clean the sharpener cover with water and detergent. Carefully clean the sharpener assembly and around the stones. DO NOT submerge the sharpener assembly.

CLEANING SHARPENING STONES

CAUTION

Dirty stones cannot sharpen!
If the sharpening stones have become coated with food fats
or metallic build-up, they will not sharpen effectively.

Each time the sharpener is used, the sharpening stones should be examined for cleanliness. Turn off the slicer, close the gauge plate, unplug power cord and open the sharpener cover.

If there is evidence of fatty or metallic build-up in the stones, they must be cleaned. Otherwise, they will not have the abrasive quality necessary to sharpen.

Clean as follows:

1. Remove the nuts and take the stones off the shafts.
2. Soak the stones in a solution of dish soap (i.e. Joy, Dawn, etc.) and water for one hour.
3. Scrub the stones with a stiff bristle brush (Berkel Part # 4975-9237). Rinse thoroughly at a sink.
4. Shake excess water out and pat partially dry with paper toweling or a clean cloth towel. Set aside to air dry.
5. Once the stones are dry (after 24 hours), oil the shafts with Berkel Food Machine Oil.
6. Reassemble.

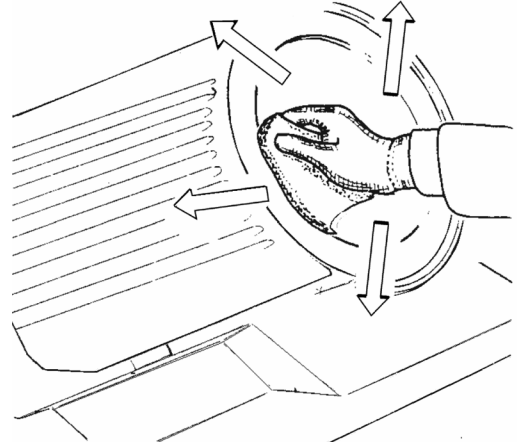
Berkel recommends that a spare set of stones (Berkel Part #825-00112) be kept available for thorough cleaning procedures, and in case of breakage, so you will not lose your sharpening capabilities.

CLEANING THE BLADE

WARNING

Use protective gloves and concentrate on the job at hand. **DANGER!** Make sure thickness control knob is fully to the right, so the gauge plate covers the knife.

1. Press a damp cloth on the surface of the blade and move it slowly from the center to the edge, as shown in the picture, on the side of the blade cover and on the other side.
2. Sanitize and dry in the same way using a dry cloth.
3. Repeat cleaning both front and back of knife with clear water.
4. Always move from the center outward. **NEVER MOVE YOUR HAND TOWARDS THE EDGE OF THE KNIFE.** Sanitize and allow to dry.

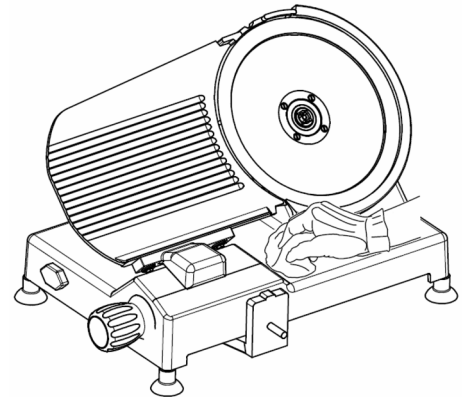


CLEANING THE RING GUARD

1. Fold a cloth wipe that has been submerged in fresh detergent solution and work it between the ring guard and the knife, starting at the base of the ring guard. Carefully work the cloth around the knife, cleaning the edge of the ring guard and edge of the gauge plate. **USE EXTREME CAUTION.**
2. Sanitize and allow to dry.

CLEANING THE BODY OF THE MACHINE

1. Clean the machine body with a damp cloth or a sponge rinsing frequently with hot water and cleaning solution. Rinse with hot water. Sanitize and let air dry.
2. Clean also the gauge plate and the indexing knob. While doing this operation pay attention to the knife. Don't open the gauge plate or you risk to be cut!



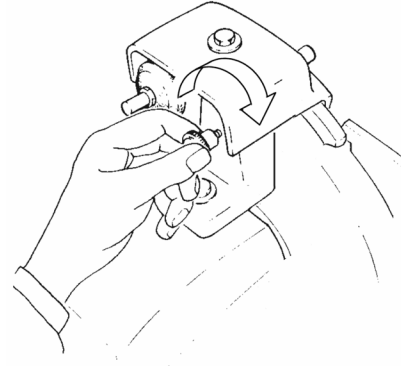
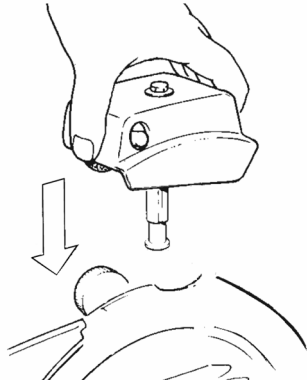
CLEANING THE COMPONENTS IN THE BASE

The components contained in the base do not need any special cleaning; occasionally remove the dust that can accumulate in the end area of the carriage and of the thickness plate regulation.

REASSEMBLING THE SLICING MACHINE

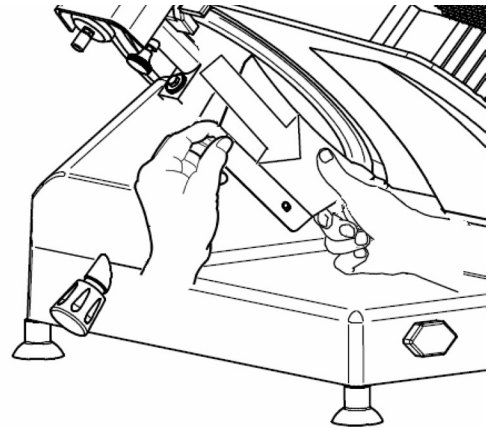
Reassembling the Sharpener

1. Make sure the sharpener knob at the base of the sharpener is loose (about 10 turns).
2. Insert the sharpener as shown in the picture until it stops at its correct position and screw the knob.



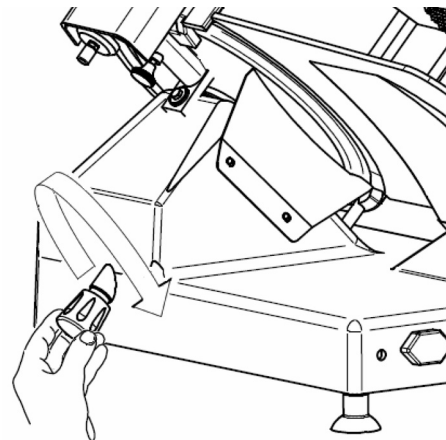
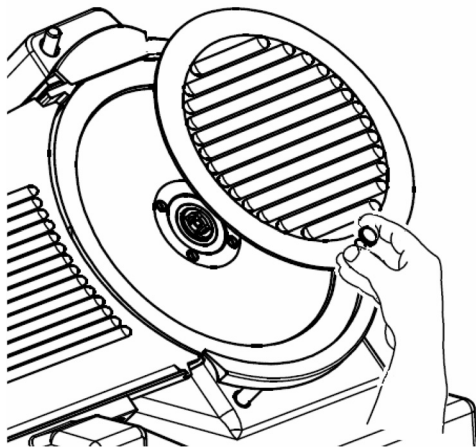
Reassembling the Slice Deflector

1. Place the slice deflector carefully in its place as shown in the picture.



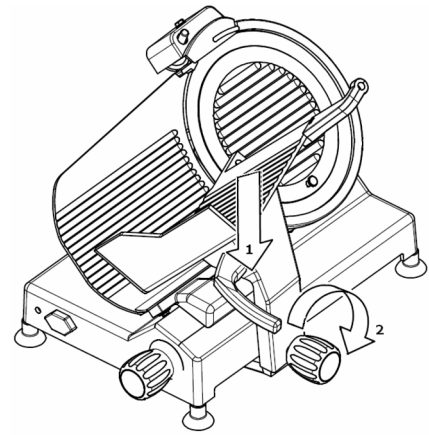
Reassembling the Center Plate

1. Replace the center plate as shown in the picture making sure the section joint is in its proper place.
2. Insert the tension rod for locking and screw completely.
3. Reassemble carefully and do not strip the rod threads or center plate bushing threads.



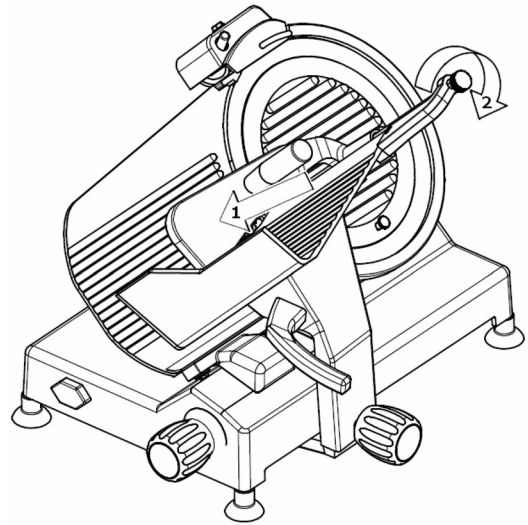
Reassembling the Product Table

1. Insert the entire group on the carriage as shown in the picture.
2. Tighten the locking knob.



Reassembling the Meat Pusher

1. Insert the rod in the meat pusher and in the hole of the extension.
2. Tighten the locking knob.



Sharpening Instructions

CAUTION

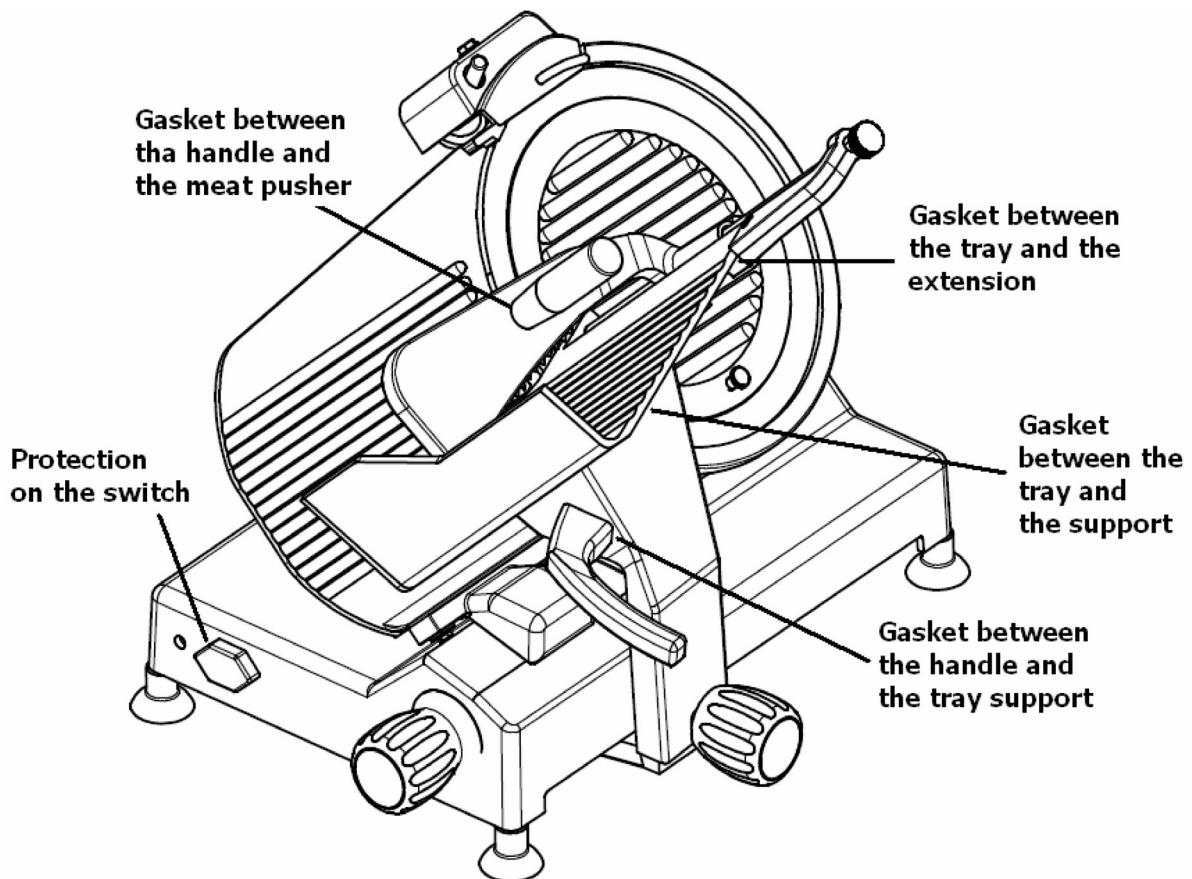
The knife should be sharpened at a minimum on a daily basis. Do not sharpen a knife that is not clean. You will damage the Sharpening stones and be unable to sharpen the knife.

1. Switch OFF the power.
 2. Unplug the slicer.
 3. Turn the thickness control knob fully to the right to place the gauge plate in the fully closed position.
 4. Clean the knife completely. Always clean from the center towards the outside edge of the knife. Never move your hand towards the edge of the knife.
 5. Loosen the sharpener locking knob, raise and rotate the sharpener until the stones sit with one on each side of the knife. Retighten the knob to hold the sharpener in its sharpening position.
 6. Plug in the slicer and switch on the power.
 7. Press the sharpening stone push-button to bring the stone against the knife and hold it for 5 to 10 seconds and release. When the sharpener is in the sharpening position, the sharpening stone push-button is on the left side of the knife.
 8. Press the deburring stone push-button to bring the stone against the knife and hold it for 2 to 3 seconds and release. When the sharpener is in the sharpening position, the sharpening stone push-button is on the right side of the knife.
 9. Switch OFF the power.
 10. Return the sharpener to its stored position and lock in place.
 11. Clean slicer before slicing product. (See “Cleaning and Sanitizing instruction”).
- Your slicer is now sharpened, cleaned and sanitized—ready to use.

SHARPENER MAINTENANCE

1. Turn OFF the slicer, turn index knob fully to the right and unplug the power cord from the receptacle.
2. Loosen the sharpener locking knob and lift off the sharpener.
3. Clean the cover with water and detergent. Carefully clean the sharpener assembly and around the stones. DO NOT submerge the sharpener assembly. Oil the spindle and bearing assemblies with Berkel Food Machine Oil.
4. Check the stones. If they do not turn freely, are greasy or are full of metallic build-up, they must be cleaned. (See “Cleaning the Sharpening Stones”). If the stones are cracked or chipped they must be replaced.
5. Oil the sharpener shafts. Place a few drops of Berkel Food Machine Oil on each shaft. Move the sharpening and deburring stone push buttons back and forth to make sure that the stones move in and out easily. Also, rotate the stones to make sure they turn freely.
6. Oil the mounting post.
7. Replace the sharpener. Sharpener must be all the way down protecting the top of the knife. Lock in place.

Gasket Inspection



The recommended interval between inspections shall not exceed six months for components that are detached for cleaning and sanitizing (all the gaskets in the images).

The inspections must be made by the manufacturer or its authorized service agent.

WARNING

The slicer must be removed from service until repaired by the manufacturer or its authorized service agent if any gasket or seal is found to be damaged, or missing.

Repair Parts/Repair Service/Exploded Views

Please contact Hobart Service or your designated Berkel Service Location (DBSL) for any repair parts/repair service required on your Berkel slicer. For the nearest Hobart service office, please visit www.hobartservice.com and then click on “locate an office”. Then either enter your ZIP CODE or select a state to find the closest location. Or you can also visit www.berkelequipment.com and click on the “Service tab”. Then enter your ZIP CODE to be shown the closest Hobart or Berkel DBSL service locations. Other product information such as Parts Catalogs and Instruction/Operator Manuals are also available on the www.berkelequipment.com website. Click on the “Resource Center tab”, and then click on the information category you want to read or download. Be sure to enter your product model number. Additional information may be obtained from:



ITW Food Equipment Group, LLC

701 S. Ridge Avenue

Troy, OH 45373

Phone: 800-348-0251

Fax: 800-348-0251

Troubleshooting

Should your slicer fail to function properly, here are a few things you can check before calling a Berkel servicer.

Product not slicing properly; thick and thin or irregular slices

- Is the knife sharp? If not, sharpen according to instructions in this manual. Remember, only sharpen a clean knife.
- Does the product size exceed the capacity of the slicer? Too large a product may rub against the sharpener assembly causing interference to normal slicing.
- Is the product positioned correctly and held securely on the product table? If not, product may move or rotate during slicing operation resulting in partial or thick and thin slices.
- Are all components held securely in place? A loose product table or pusher can cause inconsistent slices.

Knife not sharpening

- Are sharpening procedures being followed exactly as explained in this manual.
- Are sharpening stones clean? If not, clean according to instructions given in “Sharpener Maintenance” section).
- Is the knife clean? If coated with food fats, sharpener stones cannot sharpen. Clean per instructions in this manual.
- Are sharpening stones making solid contact with the knife? If not, have your Berkel servicer adjust them.
- Are sharpening stones severely worn and not making contact with the knife? Are the sharpening stones cracked or chipped? If so, have your Berkel servicer replace and adjust the new stones to the proper position for best sharpening results.

Electrical failure

- Is slicer fully plugged into a properly grounded 115V AC outlet? If properly connected, the white power ON light should be illuminated when the slicer is on.
- Inspect power cord. Has it been damaged, cutting off electrical flow? If so, call your Berkel serviceman to replace the power cord.
- Are you getting electricity from the wall outlet? Check by plugging in another piece of equipment with the same electrical requirements. Also, check circuit breaker or fuse.
- If you are getting electrical power and your slicer is still not operating, contact your Berkel servicer.

Thickness control knob not operating gauge plate

- If the thickness control knob is not opening and closing the gauge plate properly, it is a sign that the internal mechanism has suffered some loss of adjustment. Do not try to adjust the mechanism yourself. Call your Hobart or Berkel Servicer.

If correction of any of the above conditions does not result in a functional slicer, call your Designated Hobart or Berkel Service Location



Warranty

Effective: February 14, 2002

Berkel warrants to the Buyer of new equipment that said equipment, when installed in accordance with our instructions and subjected to normal use, is free from defects in material or workmanship for a period of one (1) year from the date of sale.¹

BERKEL SPECIFICALLY DISCLAIMS ANY IMPLIED WARRANTY OF MERCHANTABILITY OR EXPRESS OR IMPLIED WARRANTY OF FITNESS FOR A PARTICULAR PURPOSE.

Berkel's obligation and liability under this warranty is expressly limited to repairing or replacing equipment that proves to be defective in material or workmanship within the applicable warranty period. Berkel or a Designated Berkel Service Location will perform all repairs pursuant to this warranty. Berkel expressly excludes responsibility for incidental or consequential damages to buyer or any third party, including, without limitation, damages arising from personal injuries, lost profits, loss of business opportunity, loss of property, economic losses, or statutory or exemplary damages, whether in negligence, warranty, strict liability or otherwise.

This warranty does not apply to: periodic maintenance of equipment including but not limited to lubrication, replacement of worn blades, knives, stones, knobs, accessories, and miscellaneous expendable supply items, and other adjustments required due to installation set-up or normal wear.

These warranties are given only to the first purchaser from a Berkel Authorized Channel of Distribution. No warranty is given to subsequent transferees.

The foregoing warranty provisions are a complete and exclusive statement of the warranty between the buyer and seller. Berkel neither assumes nor authorizes any persons to assume any other obligation or liability connection with said equipment. This warranty supersedes any and all prior warranties to the subject hereof.

Berkel

MODE D'EMPLOI PROPRIÉTAIRE & USAGER



TRANCHEUSES MODÈLES

B9-SLC

B10-SLC

B12-SLC

B14-SLC

AVIS IMPORTANT

Ce manuel contient des directives de sécurité importantes qui doivent être suivies rigoureusement lors de l'utilisation de cet appareil.

AVANT D'UTILISER CET APPAREIL

Les trancheuses Berkel sont conçues pour trancher de la viande et d'autres produits alimentaires de façon efficace et sécuritaire. Il subsiste toutefois un risque de blessure grave si l'utilisateur n'est pas formé et encadré adéquatement. C'est la responsabilité du propriétaire de s'assurer que cette trancheuse est utilisée correctement et de manière sécuritaire, et de faire en sorte que les utilisateurs suivent rigoureusement les instructions de ce manuel et respectent la réglementation locale.

Personne ne devrait utiliser ou entretenir cette trancheuse sans une supervision adéquate, et sans avoir suivi une formation appropriée. Tout utilisateur doit bien connaître les procédures présentées dans ce manuel. Toutefois, Berkel ne peut prévoir toutes les situations ni tous les environnements dans lesquels ses trancheuses seront utilisées. C'est donc vous, le propriétaire et l'utilisateur, qui devez demeurer vigilants face aux dangers inhérents à l'utilisation d'une trancheuse et en particulier, de la lame rotative très tranchante et du chariot mobile. Cet appareil ne doit pas être utilisé par une personne de moins de 18 ans. Si vous avez des doutes à l'égard d'une certaine tâche à effectuer, consultez votre superviseur.

Ce manuel présente un certain nombre de pratiques sécuritaires énoncées sous la rubrique « Consignes générales de sécurité ». De plus, des avertissements supplémentaires apparaissent à plusieurs endroits du manuel.

LES AVERTISSEMENTS CONCERNANT VOTRE SÉCURITÉ PERSONNELLE SONT INDIQUÉS PAR LA VIGNETTE:

AVERTISSEMENT

Si vous perdez des autocollants d'avertissement, des affiches murales ou des manuels d'utilisation, ou encore si l'un de ces derniers subit des dommages ou devient illisible, veuillez contacter le détaillant de votre région, ou Berkel directement, qui les remplacera gratuitement.

Souvenez-vous toutefois QUE NI CE MANUEL NI LES AUTOCOLLANTS D'AVERTISSEMENT NE SAURAIENT REMPLACER LA NÉCESSITÉ DE DEMEURER VIGILANT ET DE FAIRE PREUVE DE BON SENS LORS DE L'UTILISATION DE CETTE TRANCHEUSE.

TABLE DES MATIÈRES

	<i>Page</i>
Instructions générales de sécurité	2
Description de l'appareil	5
Déballage et installation	6
Fonctionnement	6
Consignes de nettoyage et de désinfection.....	7
Instructions d'affûtage	14
Inspection des joints	15
Pièces de rechanges/Service de réparation	16
Dépannage	17
Garantie	18



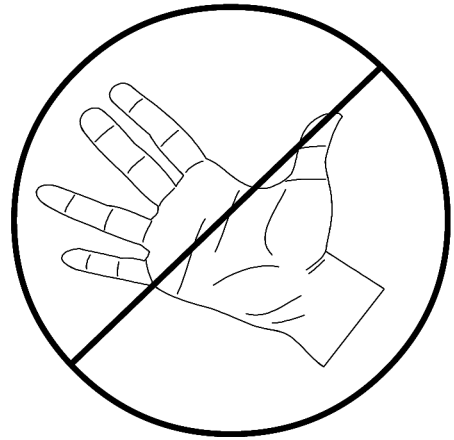
ITW Food Equipment Group, LLC
701 S. Ridge Avenue • Troy, OH 45373
Téléphone: (800) 348-0251 • Fax (888) 888-2838
www.berkeequipment.com

⚠ AVERTISSEMENT

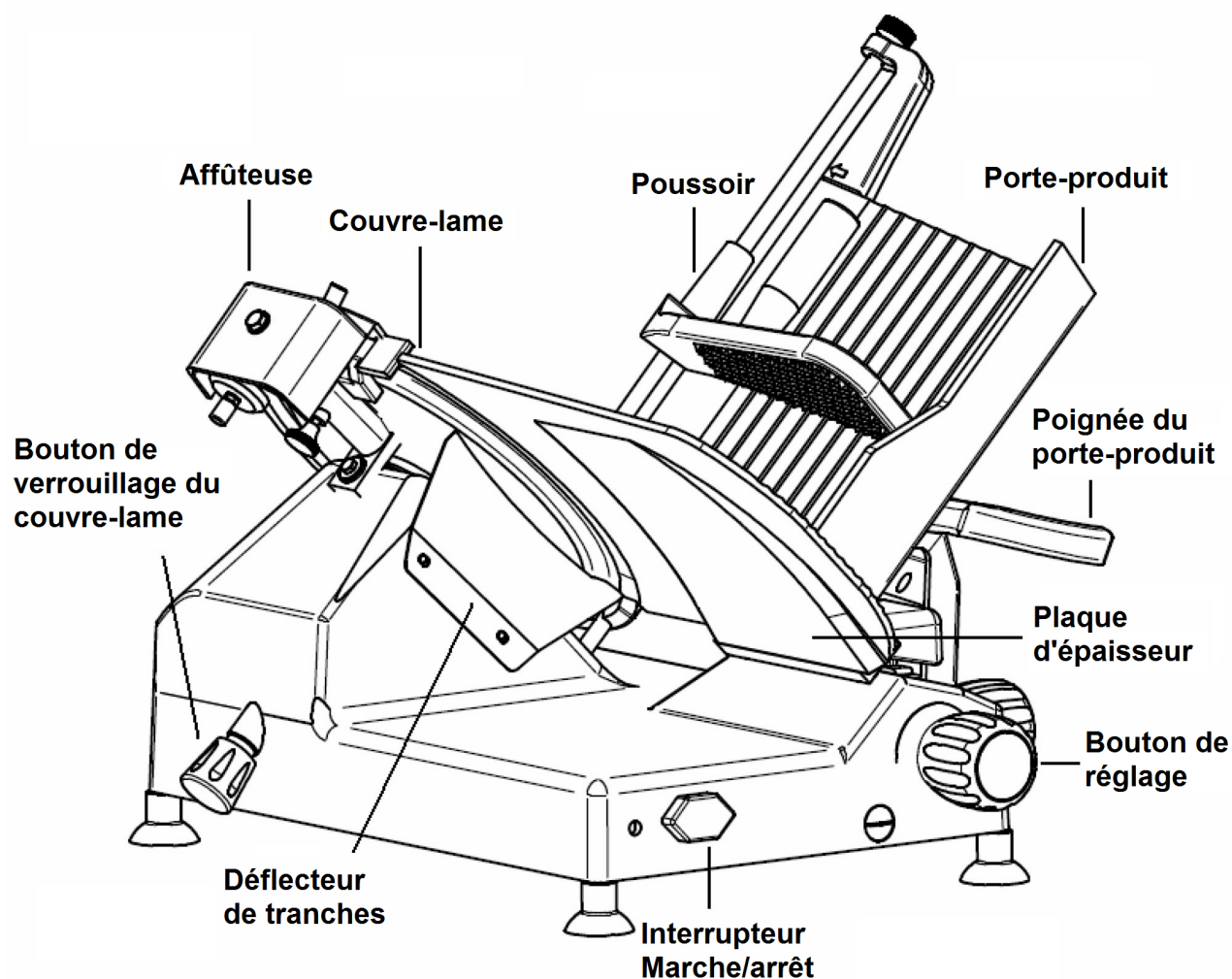
LAME ROTATIVE TRÈS TRANCHANTE

Suivre toutes les instructions de ce manuel afin d'éviter de graves blessures.

1. Ne touchez JAMAIS à cet appareil sans formation et sans l'autorisation de votre superviseur.
2. L'APPAREIL DOIT ÊTRE PLACÉ sur une surface solide et de niveau.
3. Les GARDES de protection DOIVENT ÊTRE en place avant de mettre l'appareil en marche.
4. TOUJOURS utiliser la fiche à 3 branches livrée.
5. Utilisez TOUJOURS le poussoir et non votre main.
6. NE TOUCHEZ JAMAIS À LA LAME ROTATIVE.
7. GARDEZ vos mains, vos bras, vos cheveux et vos vêtements amples loin des parties mobiles.
8. SI L'APPAREIL VENAIT À BLOQUER, mettez-le à l'arrêt et débranchez-le avant de retirer l'obstruction.
9. METTEZ L'APPAREIL À L'ARRÊT ET DÉBRANCHEZ-LE avant son nettoyage, sa désinfection ou son entretien.
10. N'UTILISEZ QUE les accessoires livrés par le fabricant.
11. Si l'une des étiquettes d'avertissement de l'appareil se détache ou devient illisible, contactez le fabricant ou votre Centre de service autorisé Berkel pour obtenir gratuitement une nouvelle étiquette.



Description de l'appareil



AVERTISSEMENT

Pour éviter des dommages corporels graves,

installez correctement la trancheuse dans une zone de travail appropriée

- Utilisez TOUJOURS un technicien qualifié pour l'installation.
- Installez TOUJOURS la trancheuse dans une zone de travail assez spacieuse et bien éclairée.
- Ne faites fonctionner la trancheuse QUE sur un support solide et de niveau.
- Ne contournez JAMAIS ni ne modifiez les commutateurs ou les circuits.
- Ne faites JAMAIS fonctionner la trancheuse sans que les protecteurs ne soient en place.
- Ne vous servez JAMAIS de la trancheuse sans que tous les autocollants d'avertissement et les tableaux muraux ne soient affichés.

Déballage et Installation

DÉBALLAGE ET MONTAGE

- Une fois la trancheuse retirée de son emballage et de sa boîte d'expédition, vous devez la vérifier attentivement afin de vous assurer qu'elle n'a subi aucun dommage durant l'expédition. Ne branchez pas le cordon d'alimentation et ne tentez pas d'utiliser la trancheuse avant d'avoir effectué cet examen.
- Vérifiez attentivement tous les composants de la trancheuse, tels que le porte-produit, le poussoir, l'affûteuse, le bouton du contrôle d'épaisseur, etc., afin de vous assurer qu'ils bougent librement et qu'il n'y a aucune obstruction. Tournez le bouton du contrôle d'épaisseur complètement vers la droite. À l'aide du lubrifiant pour appareils alimentaires Berkel, lubrifiez la barre de glissement du poussoir (sur le chariot mobile) ainsi que les rails de soutien carrés et ronds du chariot mobile (sous la trancheuse).

AVERTISSEMENT

N'utilisez que du lubrifiant approuvé par l'USDA sur cette trancheuse. Tout lubrifiant non-approuvé par l'USDA peut la contaminer et provoquer des empoisonnements alimentaires, ainsi que des dommages corporels. Le lubrifiant Berkel est approuvé par l'USDA pour les appareils servant à la transformation des aliments. Il peut être acheté de Berkel en bouteilles de 2 onces (No de pièce 4675-0182), en bouteilles de 16 onces (No de pièce 4675-0183) ou en gallons US (No de pièce 4675-0184).

Tests préalables à l'utilisation

1. Assurez-vous que l'interrupteur MARCHE/ARRÊT est à la position « De », et que le bouton du contrôle d'épaisseur est tourné le plus à droite possible. Ceci positionne la plaque d'épaisseur de façon à ne pas exposer la lame rotative durant les tests.
2. Branchez le cordon d'alimentation dans une prise électrique de 120V munie d'une mise à terre.
3. Faites glisser le chariot mobile de l'avant vers l'arrière à l'aide de la poignée du chariot mobile. En cas de dysfonctionnement ou d'obstruction, éteignez la trancheuse, débranchez le cordon d'alimentation et appelez votre dépanneur Berkel.
4. Allumez la trancheuse en faisant tourner l'interrupteur vers la position « Sur », et assurez-vous que la lame rotative tourne avec aisance. Éteignez la trancheuse.

AVERTISSEMENT

NE BOUGEZ PAS, NI DÉPLACEZ LE CHARIOT MOBILE SANS UTILISER LA POIGNÉE.

Fonctionnement

Général

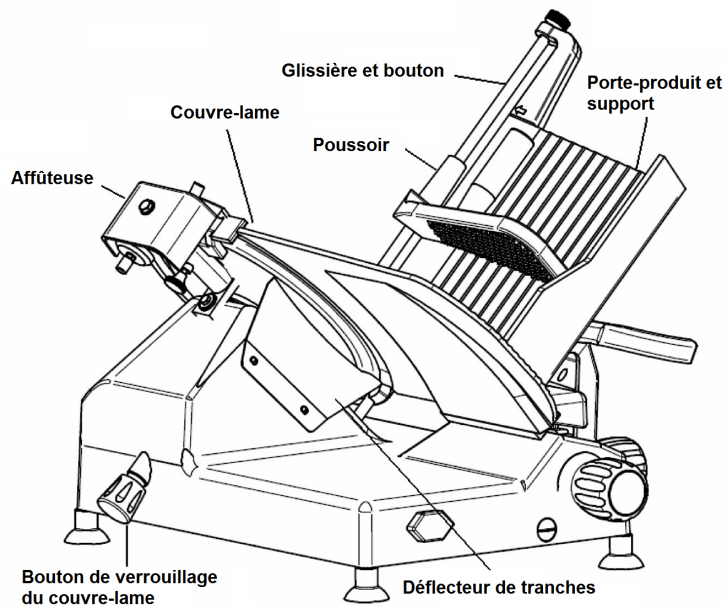
1. Tournez le poussoir hors de portée et placez-le dans le cran d'arrêt au bas du porte-produit. Posez le produit à trancher sur le porte-produit. Placez le poussoir au bout du produit. Si le produit que vous travaillez est long, placez-y le poussoir sur le dessus. Le poussoir fera avancer le produit vers la lame après chaque tranche.
2. Allumez la trancheuse.
3. Le bouton de réglage vous permet de varier l'épaisseur des tranches depuis fin comme du papier jusqu'à 9/16 po (14,3 mm). Pour faire des tranches plus fines, faites pivoter le bouton de réglage vers la droite, et vers la gauche pour des tranches plus épaisses.
4. Le porte-produit est équipé d'une poignée pour le faire aller vers l'avant et revenir en arrière.

Consignes de nettoyage et de désinfection

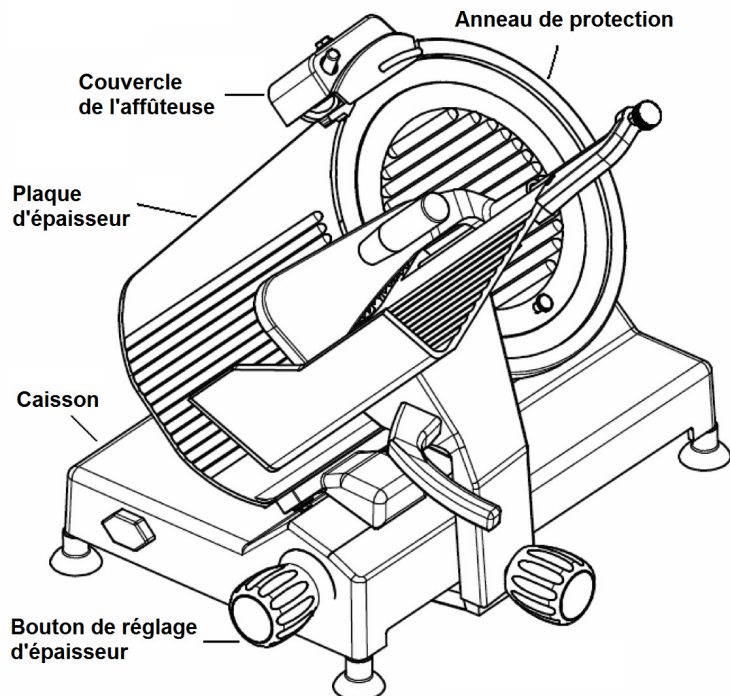
INFORMATION GÉNÉRALE

Cet appareil devra être nettoyé et désinfecté à intervalles réguliers pour se conformer aux codes de santé nationaux, ceux des états et/ou les codes locaux. Nous recommandons de bien laver l'appareil au moins une fois par jour et même plus si nécessaire. Si les appareils n'ont pas servi pendant un certain temps, ils doivent également être lavés avant de les utiliser.

PIÈCES QUI DOIVENT ÊTRE RETIRÉES POUR NETTOYAGE

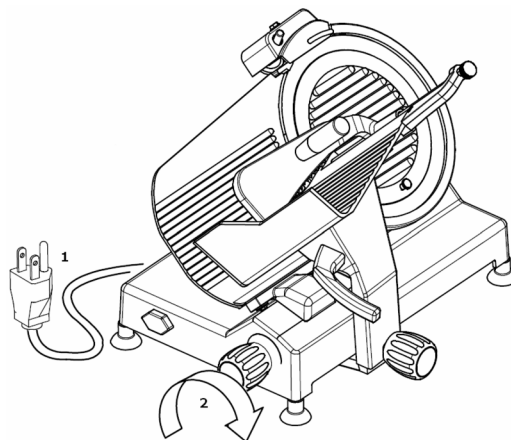


AUTRES PIÈCES QUI DOIVENT ÊTRE NETTOYÉES



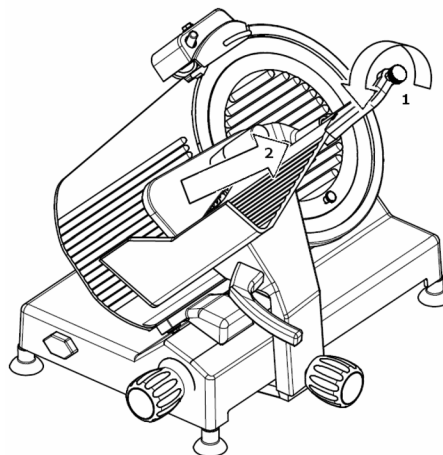
DÉMONTAGE DE L'APPAREIL POUR NETTOYAGE

1. Débranchez la fiche de l'alimentation électrique.
2. Tournez le bouton de réglage de la plaque d'épaisseur à la position «0».
3. Retirez les différents éléments ainsi que décrits aux paragraphes cidessous.



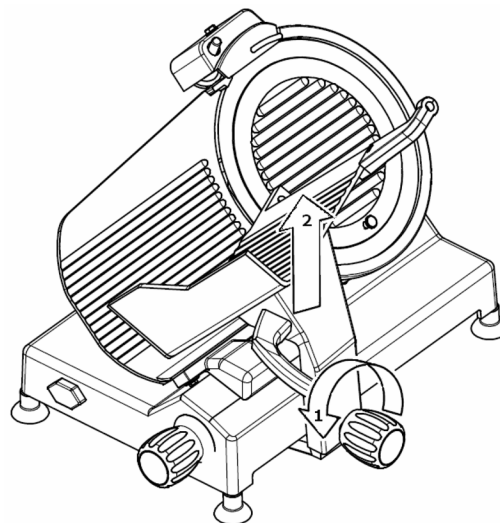
Démontage du poussoir

1. Dévissez le bouton pour extraire la tige du porte-produit.
2. Retirez le poussoir.



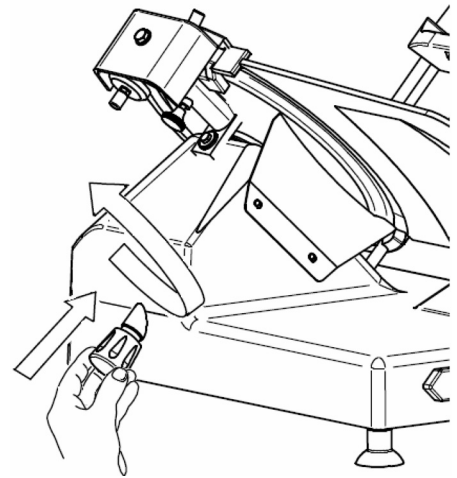
Démontage du porte-produit

1. Dévissez complètement le bouton dans le sens antihoraire et retirez-le.
2. Retirez tout l'ensemble en le tirant vers le haut.



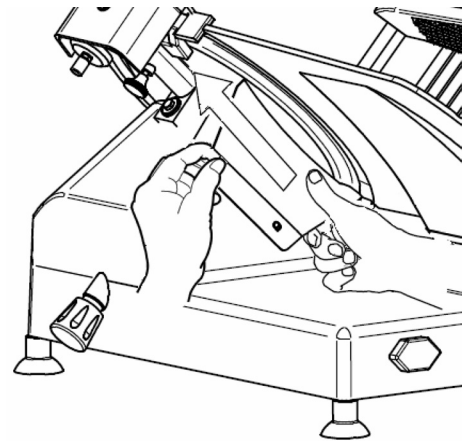
Démontage de la plaque couvre-lame

1. Dévissez le bouton de verrouillage du couvre lame.
2. Poussez sur le bouton pour déplacer la plaque hors de la lame.
3. Retirez la plaque couvre-lame ainsi que le bouton de verrouillage.



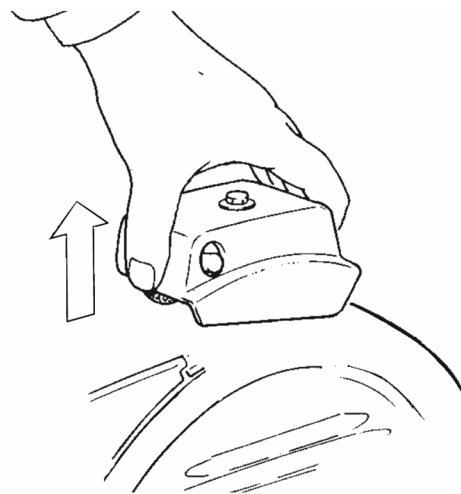
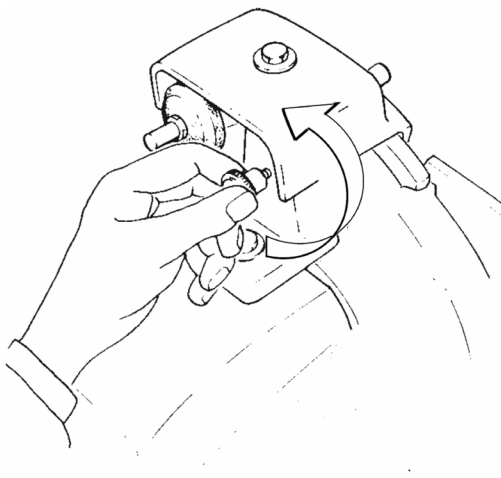
Démontage du déflecteur de tranches

1. Retirez le déflecteur de tranches qui est fixé au caisson principal de la trancheuse tel qu'illustré sur la photo.



Démontage de l'affûteuse

1. Dévissez le bouton sous l'ensemble d'affûtage sans le retirer.
2. Retirez ensuite toute l'affûteuse en la tirant vers le haut.



PRODUITS À UTILISER POUR LE NETTOYAGE

N'utilisez que de l'eau chaude mélangée à un savon à vaisselle biodégradable d'un pH de 7 à 8, à une température égale ou plus élevée que 30°C ou 86°F; servez-vous d'un chiffon doux spongieux et d'une brosse à poils en nylon semi-rigides pour le couvre-lame et les pointes acérées du presse-produit.

La concentration du désinfectant devra être conforme au Code alimentaire FDA, Section 4-501,114 portant sur l'équipement de lavage de la vaisselle manuel et mécanique quant à la désinfection chimique, la température, le pH, la concentration et la dureté. Berkel recommande d'utiliser son désinfectant approuvé par FDA, numéro de pièce 4975-00400.

Si vous utilisez un produit autre que le chlore, l'iode ou l'ammonium quaternaire, il devra être manié en observant les instructions d'utilisation de l'étiquette enregistrée auprès de l'APE (EPA).

AVERTISSEMENT

Pour le nettoyage des zones acérées des plaques, du poussoir et de la lame, nous recommandons le port de gants de sécurité.

Rincez à fond avec beaucoup d'eau chaude fraîche et asséchez avec un chiffon doux ou un matériel spongieux. Ne nettoyez pas la trancheuse avec un jet à haute pression ou autres méthodes similaires.

Nettoyez toutes les pièces retirées à l'aide d'un chiffon et d'une solution de nettoyage. Rincez à l'eau chaude. Désinfectez-les et laissez-les sécher à l'air.

Nettoyez le couvercle de l'affûteuse avec de l'eau et du savon. Nettoyez soigneusement l'ensemble d'affûtage et alentour des pierres. NE PAS immerger l'ensemble d'affûtage.

NETTOYAGE DES PIERRES D'AFFÛTAGE

ATTENTION

Des pierres souillées ne peuvent pas affûter!
Si du gras alimentaire ou des débris métalliques se sont accumulés sur les pierres d'affûtage, elles ne travailleront pas efficacement.

La propreté des pierres devraient être contrôlée chaque fois que vous utilisez l'affûteuse. Éteignez l'appareil, fermez la plaque d'épaisseur, débranchez l'alimentation et ouvrez le couvercle de l'affûteuse.

S'il appert qu'il y a accumulation de gras ou de débris métalliques sur les pierres, elles doivent être nettoyées car elles n'auront pas les qualités abrasive requises pour bien affûter.

Suivez la méthode de nettoyage ci-dessous:

1. Retirez les écrous et sortez les pierres de leur axe.
2. Faites tremper les pierres pendant une heure dans une solution d'eau et de savon à vaisselle (p.ex. Joy, Dawn, etc.).
3. Frottez les pierres avec une brosse à poils rigides (N° de pièce Berkel 4975-9237). Rincez-les à fond à l'évier.
4. Secouez l'excès d'eau et faites-les sécher partiellement en les tapotant avec une serviette de papier ou un linge propre. Mettez-les de côté pour les laisser sécher à l'air.
5. Lorsque les pierres sont sèches (après 24 heures), huilez les arbres avec de l'huile pour produits alimentaires Berkel.
6. Procédez au remontage.

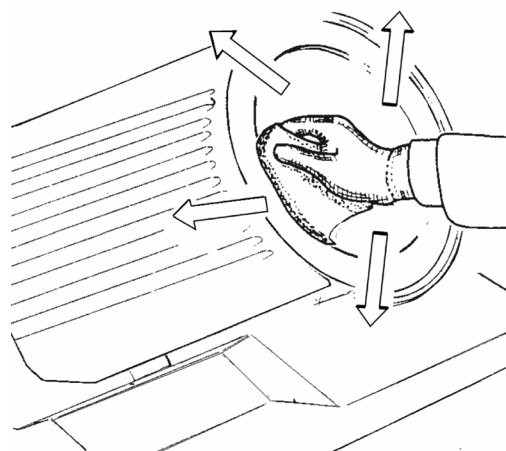
Pour un nettoyage en profondeur, et en cas de bris, Berkel recommande de garder un jeu de pierres de rechange (N° de pièce Berkel 825-00112) disponible. Ainsi, vous ne perdrez pas vos possibilités d'affûtage.

NETTOYAGE DE LA LAME

AVERTISSEMENT

Portez des gants de sécurité et concentrez-vous sur le travail à faire. **DANGER!** Assurez-vous que le bouton de contrôle de l'épaisseur est tourné complètement à droite pour que la plaque d'épaisseur couvre la lame.

1. Appuyez un linge humide sur la surface de la lame et déplacez-le lentement du centre jusqu'au rebord, tel qu'illustré sur la photo, du côté du couvre-lame et de l'autre côté.
2. Désinfectez et asséchez de la même façon à l'aide d'un chiffon sec.
3. Répétez le nettoyage à l'eau claire sur le devant et l'arrière de la lame.
4. Allez toujours du centre vers l'extérieur. **NE DÉPLACEZ JAMAIS VOS MAINS VERS LE TRANCHANT DE LA LAME.** Désinfectez et laissez sécher.

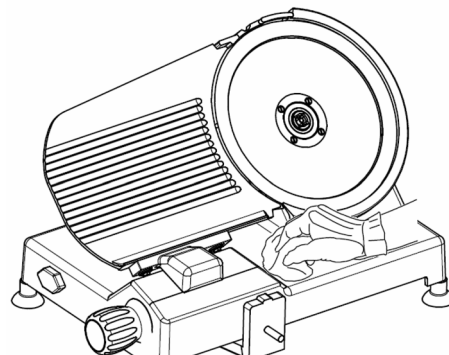


NETTOYAGE DE L'ANNEAU DE PROTECTION

1. Pliez un chiffon à essuyer plongé dans une solution savonneuse fraîche et passez-le entre l'anneau de protection et la lame, en commençant par la base de l'anneau. Faites passer le chiffon prudemment autour de la lame en nettoyant le rebord de l'anneau de protection et le rebord de la plaque d'épaisseur. **SOYEZ EXTRÊMEMENT PRUDENT.**
2. Désinfectez et laissez sécher.

NETTOYAGE DU CAISSON DE L'APPAREIL

1. Nettoyez le caisson de la machine avec un linge humide ou une éponge que vous rincez souvent dans une solution de nettoyage à l'eau chaude. Désinfectez et laissez sécher à l'air.
2. Nettoyez aussi la plaque d'épaisseur et le bouton de réglage. Ce faisant, faites attention à la lame. N'ouvrez pas la plaque d'épaisseur car vous risquez de vous couper!



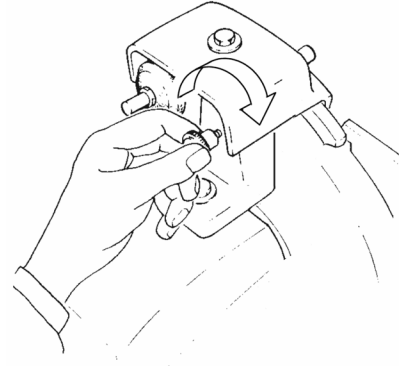
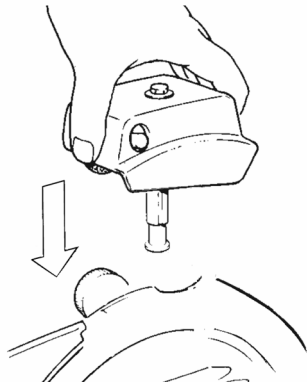
NETTOYAGE DES ÉLÉMENTS DU CAISSON

Les éléments attachés au caisson n'exigent pas de nettoyage spécial; à l'occasion, enlevez la poussière qui peut s'accumuler dans la zone de l'extrémité du chariot porte-produit et du réglage de la plaque d'épaisseur.

REMONTAGE DE LA TRANCHEUSE

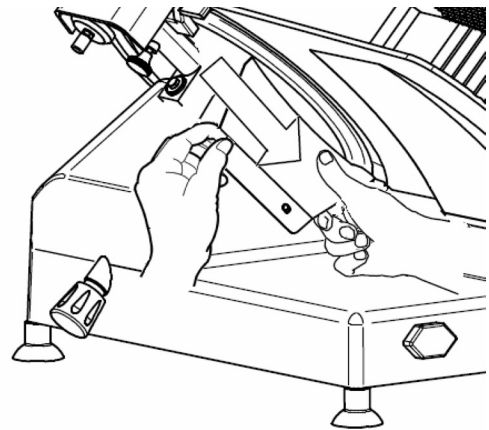
Remontage de l'affûteuse

1. Assurez-vous d'avoir dévissé le bouton à la base de l'affûteuse (environ 10 tours).
2. Insérez l'affûteuse tel qu'illustré sur la photo jusqu'à ce qu'elle se bloque en bonne position et revissez le bouton.



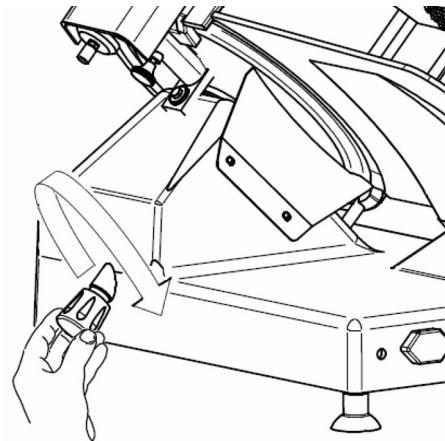
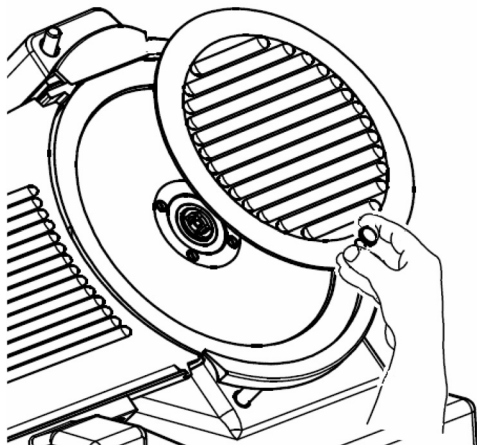
Remontage du déflecteur de tranches

1. Posez le déflecteur de tranches à sa place avec prudence tel qu'illustré sur la photo.



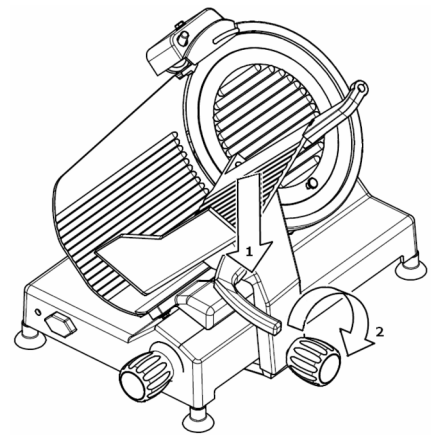
Remontage de la plaque couvre-lame

1. Remplacez le couvre-lame tel qu'illustré sur la photo en prenant soin de correctement placer le joint sectionnel.
2. Insérez la tige de tension et de verrouillage et vissez-la complètement.
3. Soyez attentif lors du remontage pour ne pas écraser les filets de la tige ou ceux de la douille du couvre-lame.



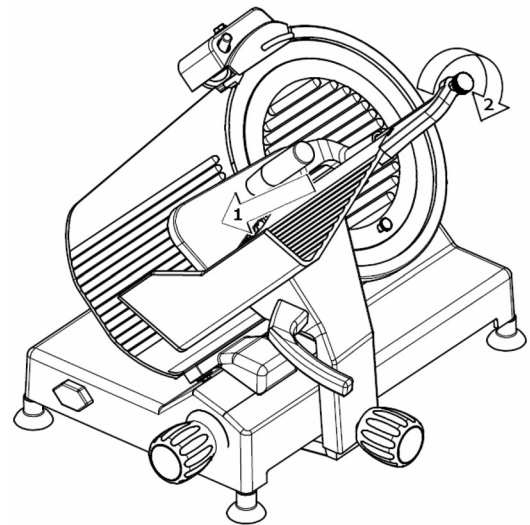
Remontage du porte-produit

1. Insérez l'ensemble complet sur le chariot tel qu'illustré sur la photo.
2. Resserrez le bouton de verrouillage.



Remontage du poussoir

1. Insérez la tige dans le poussoir et dans l'orifice de l'extension.
2. Resserrez le bouton de verrouillage.



Instructions d'affûtage

ATTENTION

La lame devrait être affûtée au moins quotidiennement. N'affûtez pas une lame salie. Vous endommagerez les pierres d'affûtage et serez incapable d'aiguiser la lame.

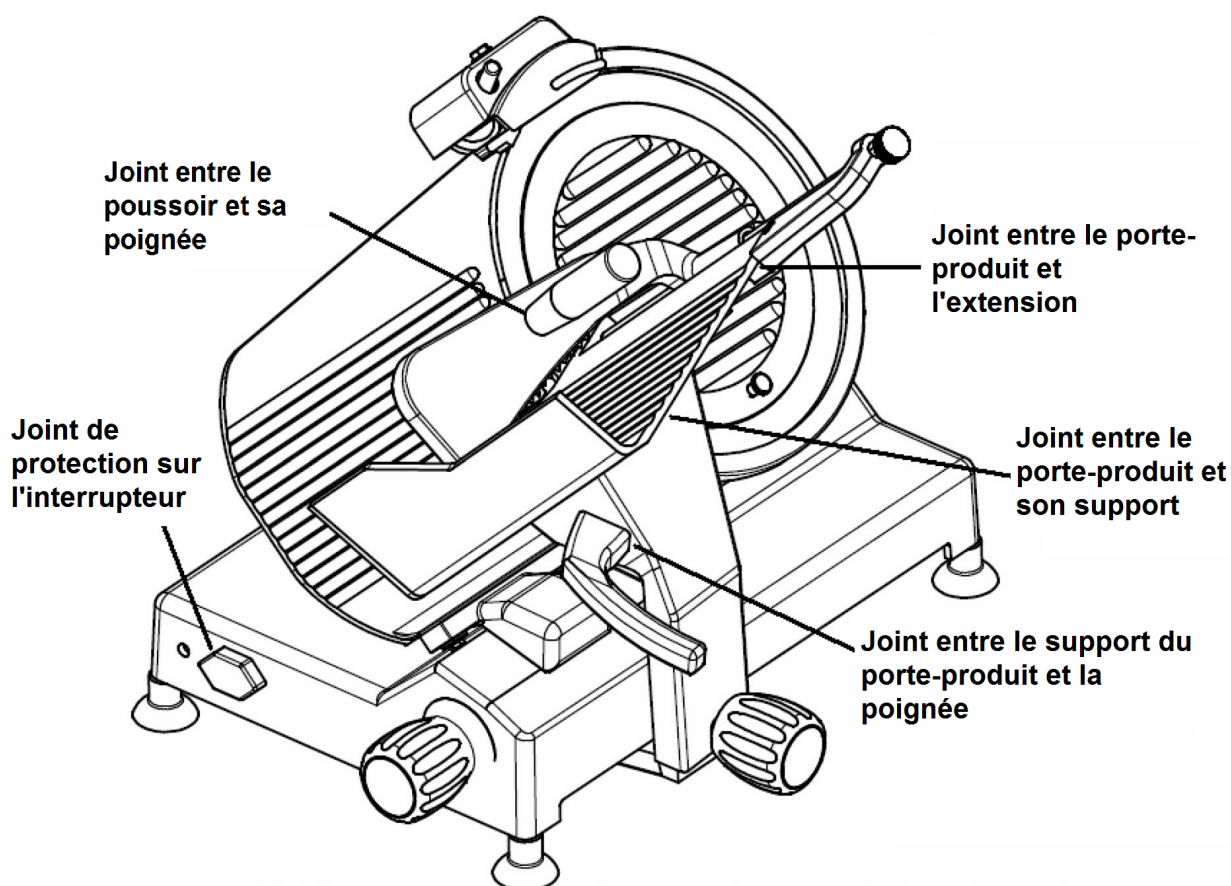
1. Coupez l'alimentation électrique.
2. Débranchez la trancheuse.
3. Tournez le bouton du réglage de l'épaisseur complètement vers la droite pour amener la plaque d'épaisseur en position totalement fermée.
4. Nettoyez complètement la lame. Nettoyez toujours du centre vers le rebord extérieur de la lame. Ne déplacez jamais votre main vers le tranchant de la lame.
5. Desserrez le bouton de verrouillage de l'affûteuse, élevez-la et faites-la pivoter jusqu'à ce que les pierres soient placées de chaque côté de la lame. Resserrez le bouton pour retenir l'affûteuse en position d'affûtage.
6. Branchez la trancheuse et mettez-la en marche.
7. Appuyez sur le bouton-poussoir de la pierre d'affûtage pour l'approcher contre la lame et tenez-le enfoncé pendant 5 à 10 secondes pour ensuite le relâcher. Quand l'affûteuse est en position de travail, le bouton-poussoir de la pierre d'affûtage se trouve du côté gauche de la lame.
8. Appuyez sur le bouton-poussoir de la pierre d'ébarbage pour amener la pierre sur la lame et tenez-le enfoncé pendant 2 à 3 secondes et ensuite relâchez-le. Quand l'affûteuse est en position d'ébarbage, le bouton-poussoir de la pierre d'affûtage se trouve du côté droit de la lame.
9. Coupez l'alimentation électrique.
10. Ramenez l'affûteuse à sa position de rangement et bloquez-la en position.
11. Avant de trancher un produit, nettoyez la trancheuse. (Voir "Consignes de nettoyage et de désinfection").

Votre trancheuse est maintenant affûtée, nettoyée et désinfectée — prête pour le service.

ENTRETIEN DE L'AFFÛTEUSE

1. Arrêtez la trancheuse, tournez le bouton de réglage complètement à droite et débranchez le cordon d'alimentation de la prise électrique.
2. Desserrez le bouton de verrouillage de l'affûteuse et soulevez-la pour la retirer.
3. Nettoyez le couvercle à l'eau savonneuse. Nettoyez soigneusement l'ensemble d'affûtage et les alentours des pierres. N'IMMERGEZ PAS le bloc d'affûtage. Lubrifiez l'axe et les blocs paliers avec de l'huile pour appareils alimentaires Berkel.
4. Vérifiez les pierres. Si elles ne tournent pas librement, sont graisseuses ou couvertes de métal accumulé, elles doivent être nettoyées. (Voir «Nettoyage des pierres d'affûtage»). Si les pierres sont craquelées ou ébréchées, elles doivent être remplacées.
5. Lubrifiez les arbres de l'affûteuse. Mettez quelques gouttes d'huile Berkel pour appareils alimentaires sur chacun des arbres. Poussez sur les boutons des pierres d'affûtage et d'ébarbage dans les deux sens pour vous assurer que les pierres se déplacent facilement. Faites aussi tourner les pierres pour vous assurer qu'elles tournent librement.
6. Lubrifiez le poteau de montage.
7. Remettez l'affûteuse à sa place. Elle doit être complètement abaissée pour protéger le dessus de la lame. Bloquez-la dans son logement.

Inspection des joints d'étanchéité



L'intervalle recommandé entre les inspections ne devrait pas dépasser six mois pour les éléments qui se détachent pour nettoyage et désinfection (tous les joints illustrés dans la photo).

Les inspections doivent être faites par le fabricant ou son agence de service d'entretien autorisée.

⚠ AVERTISSEMENT

Si quelque joint d'étanchéité que ce soit devient endommagé ou manquant, la trancheuse doit être retirée du service jusqu'à ce qu'elle soit réparée par le fabricant ou son agence de service d'entretien autorisée.

Pièces de rechange/Service de réparation/Vues éclatées

Pour toute réparation ou pour obtenir des pièces de rechange, vous êtes priés de contacter le service de l'entretien de Hobart ou un bureau de service technique désigné par Berkel (DBSL). Pour connaître le bureau du service de l'entretien de Hobart le plus près de chez-vous, veuillez visiter le site www.hobartservice.com et ensuite cliquez sur «Trouver un bureau (Locate an office)». Entrez ensuite votre CODE POSTAL ou sélectionnez un état pour trouver le bureau le plus proche. Ou encore, vous pouvez visiter le site www.berkelequipment.com et cliquer sur «l'Onglet du service». Entrez ensuite votre CODE POSTAL pour afficher les bureaux de service de Hobart ou un DBSL de Berkel les plus près de chez-vous. D'autres renseignements sur les produits, comme des catalogues de pièces et des notices d'utilisation et d'instructions sont également disponibles sur le site web www.berkelequipment.com. Cliquez sur l'onglet du «Centre de documentation (Resource Center tab)», et ensuite cliquez sur la catégorie de renseignements que vous souhaitez consulter ou télécharger. Assurez-vous d'entrer le numéro de modèle de votre produit. Vous pouvez obtenir d'autres renseignements de:



ITW Food Equipment Group, LLC

701 S. Ridge Avenue

Troy, OH 45373

Téléphone: 800-348-0251

Fax: (888) 888-2838

www.berkelequipment.com

Dépannage

Si votre trancheuse venait à ne pas fonctionner correctement, voici quelques points que vous pourriez vérifier avant de faire appel à un réparateur Berkel.

L'appareil ne tranche pas correctement; les tranches sont soit épaisses, soit minces ou irrégulières

- La lame est-elle bien affûtée? Sinon, affûtez-la en suivant les instructions de ce manuel. Souvenez-vous d'affûter la lame seulement si elle est propre.
- La taille du produit dépasse-t-elle le gabarit de la trancheuse? Un produit trop volumineux peut toucher le bloc d'affûtage et perturber le tranchage normal.
- Le produit est-il placé correctement et fermement maintenu sur le porte-produit? S'il ne l'est pas, il peut bouger et pivoter pendant le tranchage ce qui produit des tranches partielles ou épaisses et minces.
- Tous les éléments sont-ils solidement maintenus en place? Un porte-produit desserré peut être cause de tranches irrégulières.

La lame ne s'affûte pas

- Les consignes d'affûtage sont-elles observées exactement telles que décrites dans ce manuel?
- Les pierres d'affûtage sont-elles propres? Si non, nettoyez-les en suivant les instructions de la section «Entretien de l'affûteuse».
- La lame est-elle propre? Si elle est couverte de gras, les pierres ne peuvent affûter. Nettoyez-la en suivant les instructions de ce manuel.
- Les pierres entrent-elles fermement en contact avec la lame? Si non, faites-les ajuster par un technicien de service Berkel.
- Les pierres d'affûtage sont-elles très usées et n'entrent pas en contact avec la lame? Sont-elles craquelées ou ébréchées? Si oui, faites appel à votre technicien Berkel pour installer de nouvelles pierres et les régler à la bonne position pour obtenir les meilleurs résultats d'affûtage.

Panne électrique

- La trancheuse est-elle bien branchée dans une prise électrique 115 volts correctement mise à la terre? Lorsque branchée correctement, le voyant blanc de démarrage devrait être allumé lorsque la trancheuse est mise en marche.
- Inspectez le cordon d'alimentation. Est-il endommagé au point de couper le passage de l'électricité? Si oui, faites appel au technicien Berkel pour remplacer le cordon d'alimentation.
- La prise électrique murale est-elle alimentée? Faites-en le contrôle en branchant un autre appareil aux mêmes exigences électriques. Vérifiez également le disjoncteur ou le fusible.
- Si l'alimentation électrique est correcte et que votre trancheuse ne fonctionne toujours pas, faites appel à votre technicien de service Berkel.

Le bouton de réglage ne fait pas fonctionner la plaque d'épaisseur

- Si le bouton de réglage ne fait pas ouvrir et fermer la plaque d'épaisseur correctement, c'est un signe que le dispositif interne s'est dérégulé. N'essayez pas d'ajuster le mécanisme vous-même. Faites appel à votre technicien de service Hobart ou Berkel.

Si la correction de l'un ou l'autre des problèmes énumérés ci-dessus n'a pas pour résultat de vous donner une trancheuse fonctionnelle, faites appel à votre bureau de service Hobart ou Berkel.



Garantie

En vigueur le 14 février 2002

Berkel garantit à l'acheteur d'un appareil neuf que le dit appareil, s'il est installé selon nos instructions et utilisé normalement, est exempt de défauts de matériaux et de main d'œuvre pendant une période d'un (1) an à partir de la date de la vente.

BERKEL REJETTE SPÉCIFIQUEMENT TOUTE GARANTIE TACITE DE QUALITÉ MARCHANDE OU TOUTE GARANTIE EXPRESSE OU TACITE DE CONFORMITÉ POUR UN BESOIN PARTICULIER.

L'obligation et la responsabilité de Berkel en vertu de cette garantie se limitent expressément à la réparation ou au remplacement d'un équipement dont les matériaux ou la main d'œuvre auraient été prouvés défectueux à l'intérieur de la période de garantie. Berkel ou une agence de service désignée par Berkel effectueront toutes les réparations dans le cadre de cette garantie. Berkel nie expressément toute responsabilité quant aux dommages accessoires ou indirects subis par l'acheteur ou tout autre tiers, y compris sans s'y limiter, les dommages causés par les blessures personnelles, les pertes de profits, les pertes d'occasions d'affaires, les pertes matérielles, les pertes financières, les dommages statutaires ou exemplaires, que ce soit suite à une négligence, garantie, responsabilité sans faute ou autrement.

Cette garantie ne couvre pas l'entretien périodique de l'équipement y compris mais sans s'y limiter, la lubrification, le remplacement des lames usées, les couteaux, les boutons, les accessoires et divers articles consommables, et tout autre réglage rendu nécessaire suite à l'installation, la mise en place ou l'usure normale.

Ces garanties ne sont émises qu'à l'acheteur initial par l'entremise d'un réseau commercial autorisé par Berkel. Aucune garantie n'est accordée à un cessionnaire subséquent.

Les stipulations de garantie données aux présentes constituent une déclaration complète et exclusive de la garantie entre l'acheteur et le vendeur. Berkel n'assume pas la prise en charge par personne de toute autre obligation ou responsabilité à l'égard du dit équipement, ni n'autorise personne à ce faire. Cette garantie remplace toute garantie présente et antérieure faisant l'objet des présentes.



MANUAL DEL PROPIETARIO/ OPERADOR



MODELOS

B9-SLC

B10-SLC

B12-SLC

B14-SLC

CORTADORAS

AVISO IMPORTANTE

Este manual contiene importantes instrucciones de seguridad que deben seguirse estrictamente al utilizar este equipo.

ANTES DE UTILIZAR ESTE EQUIPO

Las cortadoras de Berkel están diseñadas para cortar fiambres y otros productos alimentarios de forma segura y eficiente. Sin embargo, a menos que el operador esté debidamente capacitado y supervisado, existe la posibilidad de que se produzca una lesión grave. Es responsabilidad del propietario asegurarse de que esta cortadora se utiliza de forma correcta y segura, siguiendo estrictamente las instrucciones contenidas en este manual y cualquier requisito de la legislación local.

Nadie debe utilizar ni reparar esta cortadora sin la formación y supervisión adecuadas. Todos los operadores deben estar familiarizados con los procedimientos contenidos en este manual. Aun así, Berkel no puede prever todas las circunstancias o entornos en los que se utilizarán sus cortadoras. El propietario y/o el operador deben permanecer atentos a los riesgos que supone el funcionamiento de una cortadora de fiambres —especialmente la afilada cuchilla giratoria y la mesa en movimiento. Ninguna persona menor de 18 años debe manejar este equipo. Si no está seguro de una tarea concreta, pregunte a su supervisor.

Este manual contiene una serie de prácticas seguras en la sección Instrucciones generales de seguridad. A lo largo de este manual hay advertencias adicionales.

LAS ADVERTENCIAS RELACIONADAS CON SU SEGURIDAD PERSONAL ESTÁN INDICADAS POR:

ADVERTENCIA

Si cualquier etiqueta de advertencia, gráfico de pared o manual se extravía, se daña o es ilegible, póngase en contacto con su distribuidor más cercano o directamente con Berkel, para que se lo sustituyan gratuitamente.

Recuerde, sin embargo, que **ESTE MANUAL O LAS ETIQUETAS DE ADVERTENCIA NO REEMPLAZAN A LA NECESIDAD DE MANTENERSE ALERTA Y ACTUAR CON SENTIDO COMÚN CUANDO SE UTILICE LA CORTADORA.**

TABLA DE CONTENIDO

	<i>Página</i>
Instrucciones generales de seguridad.....	2
Descripción del equipo	5
Desembalaje e instalación.....	6
Operación.....	6
Instrucciones de limpieza y desinfección	7
Instrucciones de afilado.....	14
Inspección de las juntas	15
Piezas de repuesto/servicio de reparación.....	16
Solución de problemas	17
Garantía.....	18



ITW Food Equipment Group, LLC

701 S. Ridge Avenue • Troy, OH 45373

Tel.: 800-348-0251 • Fax 888-888-2838

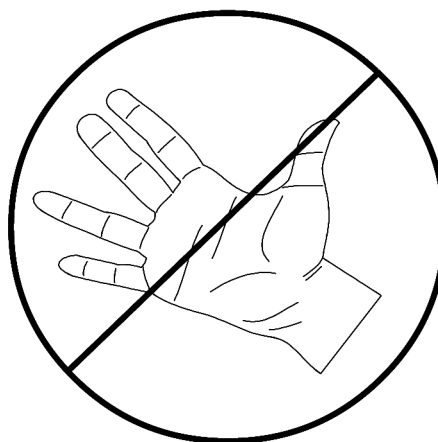
www.berkeequipment.com

⚠ ADVERTENCIA

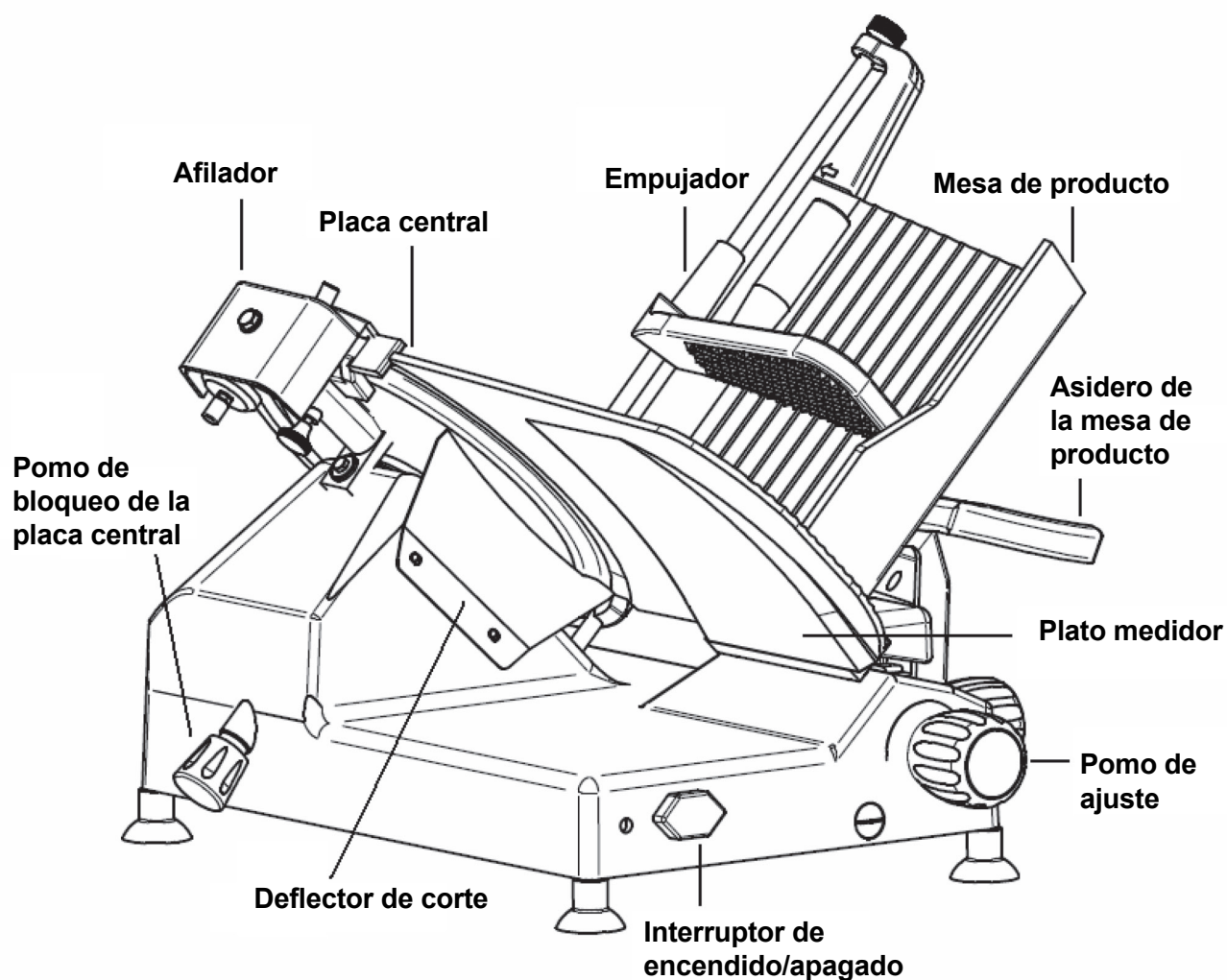
HOJA DE CUCHILLO AFILADA

para evitar lesiones personales graves siga todas las instrucciones de este manual.

1. No toque NUNCA esta máquina sin la capacitación y autorización de su supervisor.
2. LA MÁQUINA DEBE ESTAR sobre un soporte nivelado sólido.
3. LAS PROTECCIONES DEBEN ESTAR COLOCADAS antes de enchufar y encender la máquina.
4. Utilice SIEMPRE el enchufe de tres clavijas suministrado.
5. Utilice SIEMPRE el empujador de alimentos y no la mano.
6. NUNCA TOQUE LA CUCHILLA GIRATORIA.
7. MANTENGA sus manos, brazos, cabello e indumentaria suelta alejados de todas las piezas móviles.
8. SI LA MÁQUINA SE ATASCA, apáguela y desenchúfela antes de eliminar la obstrucción.
9. APAGUE Y DESENCHUFE la máquina de la toma de corriente antes de limpiarla, desinfectarla o darle mantenimiento.
10. UTILICE SOLAMENTE los accesorios suministrados por el fabricante.
11. SI cualquier etiqueta de advertencia de una máquina se desprende o se vuelve ilegible, póngase en contacto con el fabricante o con el servicio técnico designado de Berkel para que se la cambien gratuitamente.



Descripción del equipo



ADVERTENCIA

Para evitar lesiones personales graves, instale la cortadora en un área de trabajo adecuada

- Recorra SIEMPRE a un técnico calificado para la instalación.
- Instale SIEMPRE la cortadora en un área de trabajo con iluminación y espacio adecuados.
- Utilice la cortadora SOLO sobre una superficie sólida y nivelada.
- NUNCA anule o altere los interruptores y circuitos.
- NUNCA opere la cortadora sin todas las protecciones instaladas.
- NUNCA opere la cortadora sin que estén colocados todos los adhesivos de advertencia y los gráficos de pared.

Desembalaje e instalación

DESEMBALAJE Y MONTAJE

- Cuando la cortadora se haya desembalado y retirado de su caja de transporte, debe ser revisada cuidadosamente para detectar cualquier daño que pueda haberse producido durante el envío. No enchufe el cable de alimentación ni intente hacer funcionar la cortadora antes de esta revisión.
- Inspeccione cuidadosamente todos los componentes de la cortadora, como la mesa de producto, el empujador, el afilador, el mando de control del grosor, etc., para asegurarse de que se mueven libremente y de que no hay obstrucciones. Gire el mando de control del grosor totalmente hacia la derecha. Lubrique la barra deslizadora del empujador (en la mesa de producto) y los rieles del soporte de mesa con forma cuadrada y redonda (parte inferior de la cortadora) con aceite para máquinas de alimentos Berkel.

ADVERTENCIA

Utilice solo el aceite autorizado por la USDA en esta cortadora. El aceite no autorizado por la USDA puede contaminar esta cortadora y causar una intoxicación alimentaria o lesiones personales. El aceite para máquinas de alimentos de Berkel es un aceite autorizado por la USDA para equipos de procesado de alimentos. El aceite para máquinas de alimentos de Berkel puede adquirirse en botellas de 2 onzas (pieza n.º 4675-0182), botellas de 16 onzas (pieza n.º 4675-0183) o galones (pieza n.º 4675-0184).

Pruebas antes del funcionamiento

1. Asegúrese de que el interruptor ON/OFF esté en la posición “Off” y que el mando de control del grosor esté girado totalmente hacia la derecha. De este modo, se coloca el plato medidor para que la cuchilla no quede expuesta durante la prueba.
2. Enchufe el cable de alimentación en una toma de corriente de 120 VCA con conexión a tierra.
3. Deslice la mesa de producto hacia adelante y atrás sujetando el asidero. Si observa un funcionamiento brusco o una obstrucción, apague, desenchufe el cable de alimentación y llame al servicio técnico de Berkel.
4. Encienda la cortadora pulsando la posición “On” y compruebe que la cuchilla gire suavemente. Apague la cortadora.

ADVERTENCIA

CUANDO MUEVA LA MESA DE PRODUCTO, AGARRE SOLO EL ASIDERO.

Funcionamiento

General

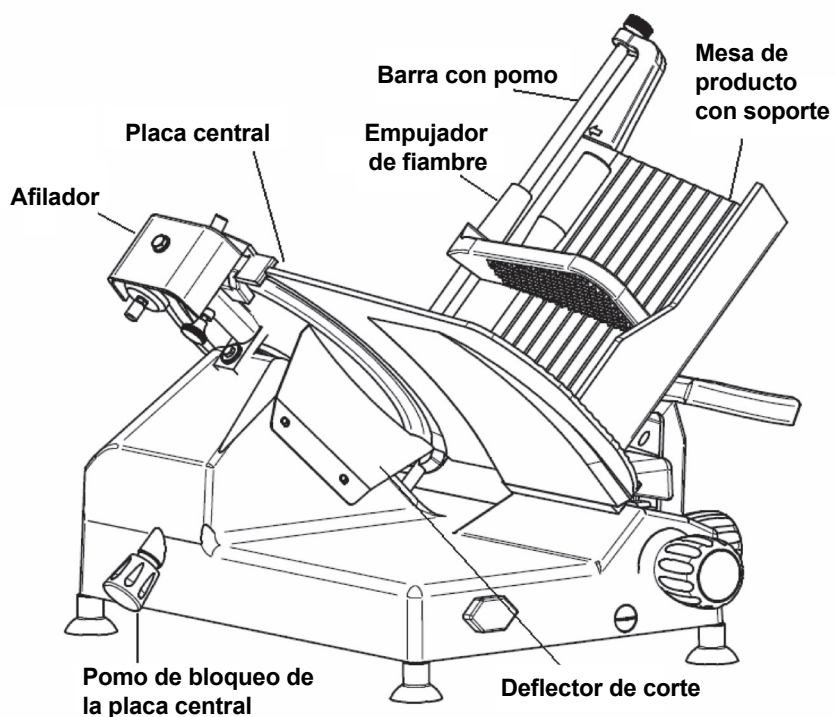
1. Gire el empujador fuera del recorrido de la mesa de producto y colóquelo en el tope de la parte inferior de la mesa. Coloque el producto que va a cortar en la mesa de producto. Coloque el empujador en el extremo del producto. Si el producto que va a cortar es largo, coloque el empujador encima del producto. El empujador alimentará el producto hacia la cuchilla después de cada rebanada.
2. Encienda la cortadora.
3. El mando de control del grosor le permite variar el grosor de las rebanadas desde un grosor fino como el papel hasta un grosor de aproximadamente 1,40 cm (9/16 pulg.). Para hacer rebanadas más finas, gire el mando de control del grosor hacia la derecha. Para obtener rebanadas más gruesas, gire el mando hacia la izquierda.
4. La mesa de producto dispone de un asidero para moverla hacia adelante y atrás.

Instrucciones de limpieza y desinfección

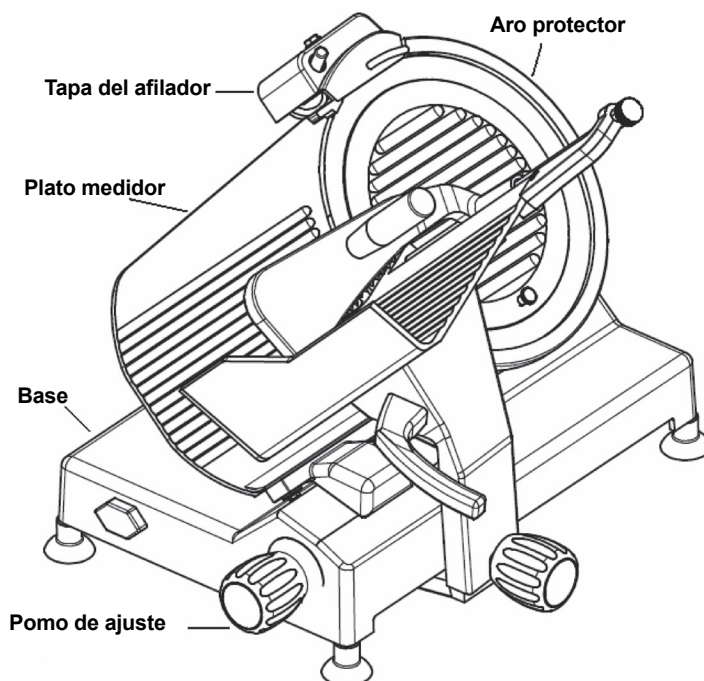
INFORMACIÓN GENERAL

Esta máquina se debe limpiar y desinfectar periódicamente, a fin de cumplir con los códigos sanitarios locales, estatales y nacionales. Recomendamos que la máquina se limpie de manera adecuada al menos una vez al día; si es necesario, incluso más. Si la máquina no se ha utilizado durante un tiempo, debe limpiarse también antes de su uso.

PIEZAS QUE DEBEN SER RETIRADAS PARA SU LIMPIEZA

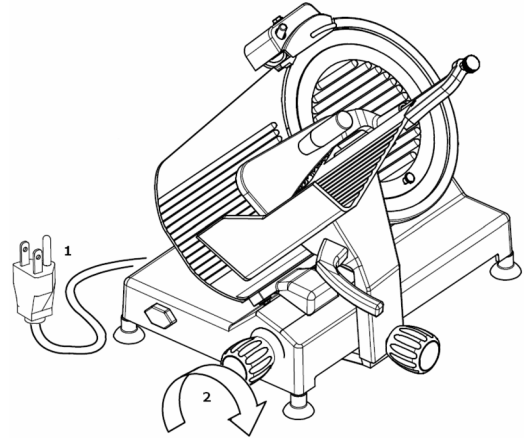


OTRAS PIEZAS QUE DEBEN LIMPIARSE



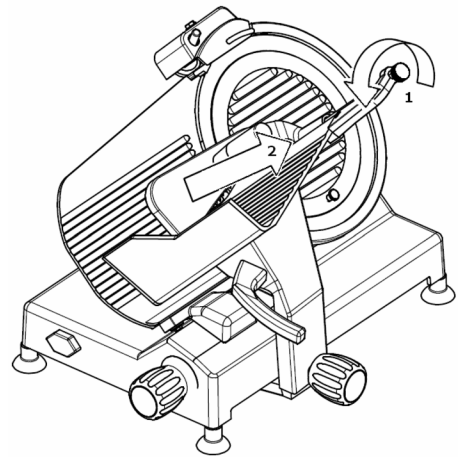
DESENSAMBLAJE DE LA MÁQUINA PARA SU LIMPIEZA

1. Desconecte el enchufe de la toma de corriente.
2. Gire el mando de regulación de la placa de grosor a '0'.
3. Retire los distintos componentes como se describe en los siguientes párrafos.



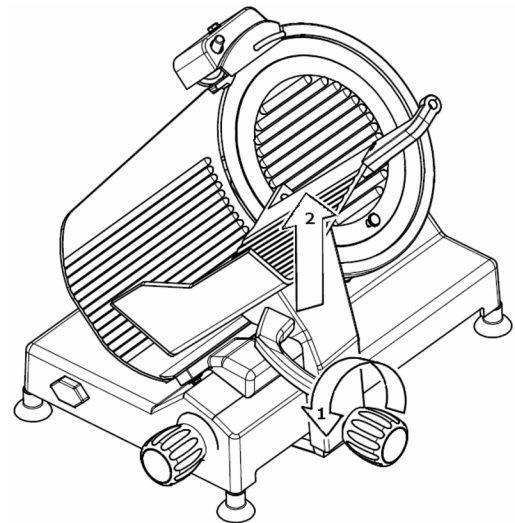
Desensamblaje del empujador de fiambre

1. Desenrosque el mando para extraer la barra de la bandeja.
2. Retire el empujador de fiambre.



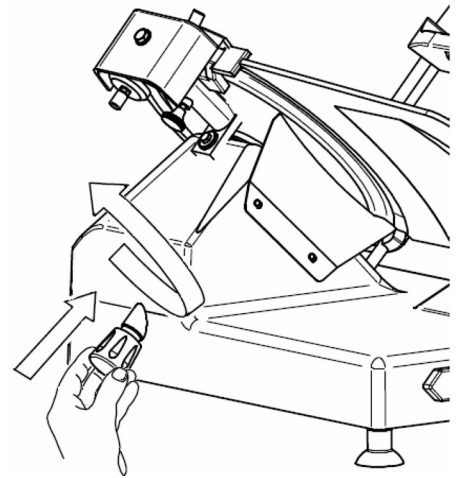
Desensamblaje de la mesa de producto

1. Gire el pomo de bloqueo en sentido antihorario hasta el final, y retírelo.
2. Extraiga todo el grupo tirando hacia arriba.



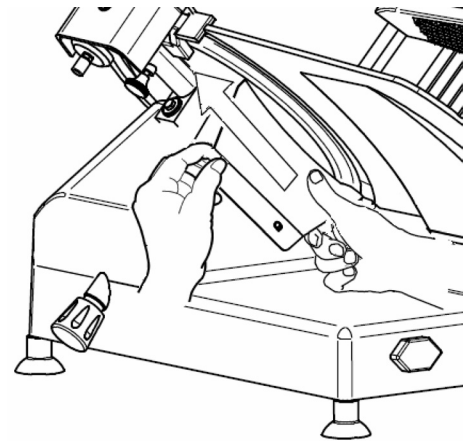
Desensamblaje de la placa central

1. Desenrosque el pomo de bloqueo de la placa central.
2. Presione sobre el mando para retirar la placa central de la cuchilla.
3. Extraiga tanto la placa central como el pomo de bloqueo.



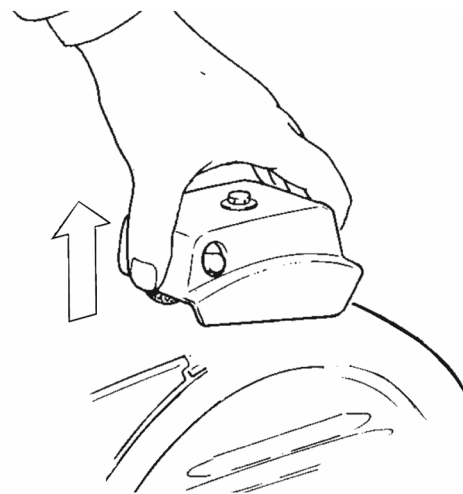
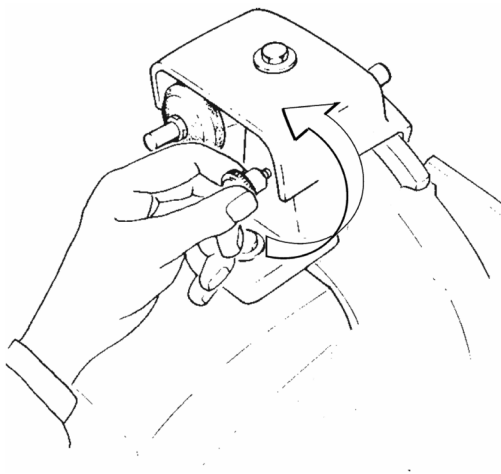
Desensamblaje del deflector de corte

1. Retire el deflector de corte que está unido al cuerpo principal de la cortadora, como se muestra en la imagen.



Desensamblaje del afilador

1. Afloje el mando situado debajo del bloque afilador sin retirarlo.
2. Extraiga todo el afilador tirando hacia arriba.



PRODUCTOS QUE UTILIZAR PARA LA LIMPIEZA

Utilice solamente agua caliente y un detergente lavavajillas biodegradable con un PH de 7-8, a una temperatura no inferior a 30°C (86°F), utilizando un paño suave y esponjoso y un cepillo de nylon semirrígido para la placa y la prensa de alimentos.

La concentración del desinfectante debe cumplir con la sección 4-501.114, Equipos de lavado de materiales de cocina manuales y mecánicos, desinfección con productos químicos – Temperatura, pH, concentración y dureza del Código de Alimentos de la Administración de Medicamentos y Alimentos (FDA, Food and Drug Administration). Berkel recomienda utilizar el desinfectante aprobado por la USDA, número de pieza Berkel 4975-00400.

Si se utiliza un desinfectante químico que no sea cloro, yodo o amonio cuaternario, este debe aplicarse de acuerdo con las instrucciones de uso de la etiqueta registrada de la Agencia de Protección Ambiental (EPA, Environmental Protection Agency).

ADVERTENCIA

Para la limpieza de las zonas afiladas de las placas, la prensa de alimentos y la cuchilla, se recomienda utilizar guantes de protección.

Aclare bien con abundante agua limpia y caliente y seque con un paño suave o un material esponjoso. No limpie la cortadora con chorros de agua o métodos similares.

Limpie todas las piezas extraídas con un paño y una solución limpiadora. Aclare con agua caliente. Desinfecte y deje secar al aire.

Limpie la tapa del afilador con agua y detergente. Limpie cuidadosamente el ensamble del afilador y alrededor de las piedras. NO sumerja el ensamble del afilador.

LIMPIEZA DE LAS PIEDRAS DE AFILAR

PRECAUCIÓN

¡Las piedras sucias no pueden afilar!
Si las piedras de afilar se han recubierto de grasa alimentaria o acumulaciones metálicas, no afilarán con eficacia.

Cada vez que se utiliza el afilador, se deben examinar las piedras de afilar para asegurarse de que estén limpias. Apague la cortadora, cierre el plato medidor, desenchufe el cable de alimentación y abra la tapa del afilador.

Si hay indicios de acumulación de grasa o metal en las piedras, hay que limpiarlas. De lo contrario, no tendrán la calidad abrasiva necesaria para afilar.

Limpie del siguiente modo:

1. Retire las tuercas y extraiga las piedras de los ejes.
2. Sumerja las piedras en una solución de detergente lavavajillas (por ejemplo, Joy, Dawn, etc.) y agua durante una hora.
3. Frote las piedras con un cepillo de cerdas rígidas (pieza Berkel n.º 4975-9237). Aclare bien en el fregadero.
4. Sacuda el exceso de agua y seque parcialmente con papel de cocina o una toalla de tela limpia. Póngalas a un lado para que se sequen al aire.
5. Una vez que las piedras estén secas (después de 24 horas), engrase los ejes con aceite para máquinas de alimentos Berkel.
6. Vuelva a ensamblarlas.

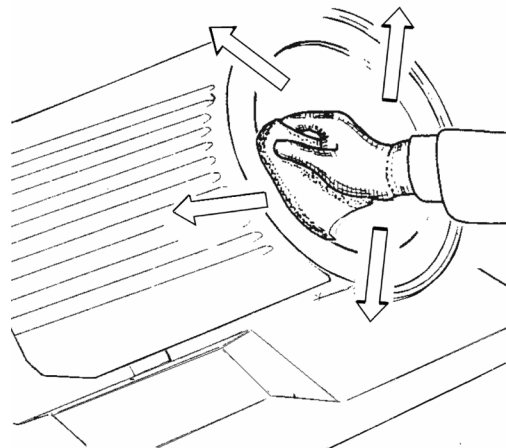
Berkel recomienda tener a mano un juego de piedras de repuesto (pieza Berkel n.º 825-00112) para los procedimientos de limpieza a fondo, y en caso de rotura, para no perder su capacidad de afilado.

LIMPIEZA DE LA CUCHILLA

ADVERTENCIA

Utilice guantes de protección y concéntrese en el trabajo que tiene entre manos. ¡PELIGRO! Asegúrese de que el mando de control del grosor esté completamente hacia la derecha, de modo que el plato medidor esté cubriendo la cuchilla.

1. Presione un paño húmedo sobre la superficie de la cuchilla y muévelo lentamente desde el centro hacia el borde, como se muestra en la imagen, por el lado de la cubierta de la cuchilla y por el otro lado.
2. Desinfecte y seque de la misma manera con un paño seco.
3. Repita la limpieza de la parte delantera y trasera de la cuchilla con agua limpia.
4. Muévase siempre desde el centro hacia afuera. **NUNCA MUEVA LA MANO HACIA EL FILO DE LA CUCHILLA.** Desinfecte y deje secar.

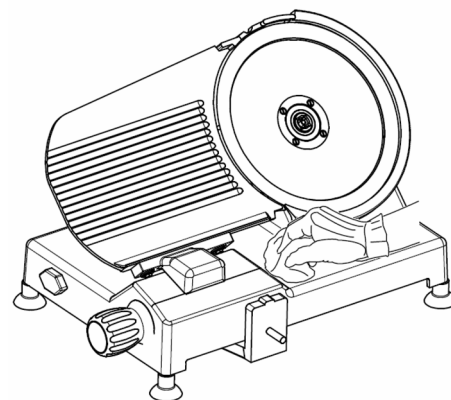


LIMPIEZA DEL ARO PROTECTOR

1. Pliegue una toallita de tela que haya sido sumergida en solución detergente fresca y pásela entre el aro protector y la cuchilla, empezando por la base del aro protector. Pase la toallita con cuidado alrededor de la cuchilla, limpiando el borde del aro protector y el borde del plato medidor. **EXTREME LAS PRECAUCIONES.**
2. Desinfecte y deje secar.

LIMPIEZA DEL CUERPO DE LA MÁQUINA

1. Limpie el cuerpo de la máquina con un paño húmedo o una esponja aclarando frecuentemente con agua caliente y solución limpiadora. Aclare con agua caliente. Desinfecte y deje secar al aire.
2. Limpie también el plato medidor y el pomo de ajuste. Mientras realiza esta operación, preste atención a la cuchilla. ¡No abra el plato medidor o corre el riesgo de cortarse!



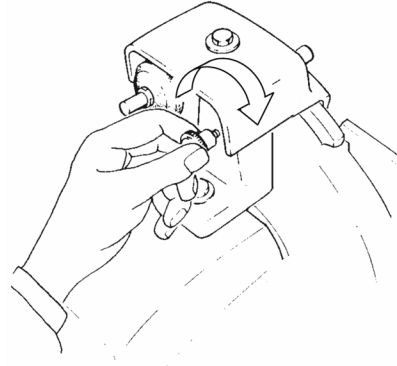
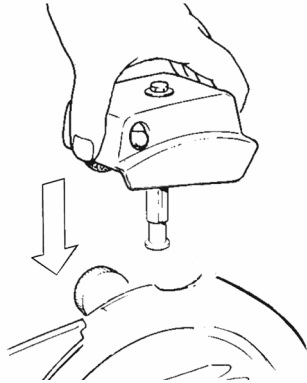
LIMPIEZA DE LOS COMPONENTES DE LA BASE

Los componentes que contiene la base no necesitan ninguna limpieza especial; retire de vez en cuando el polvo que puede acumularse en la zona del extremo del carro y de la regulación de la placa de grosor.

REENSAMBLAJE DE LA MÁQUINA CORTADORA

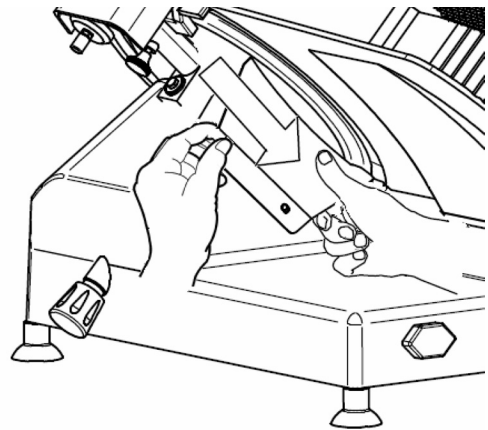
Reensamblaje del afilador

1. Asegúrese de que el mando del afilador en la base del mismo esté suelto (unas 10 vueltas).
2. Inserte el afilador como se muestra en la imagen hasta que se detenga en su posición correcta y enrosque el mando.



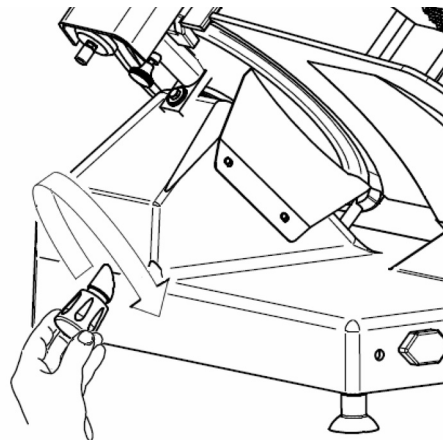
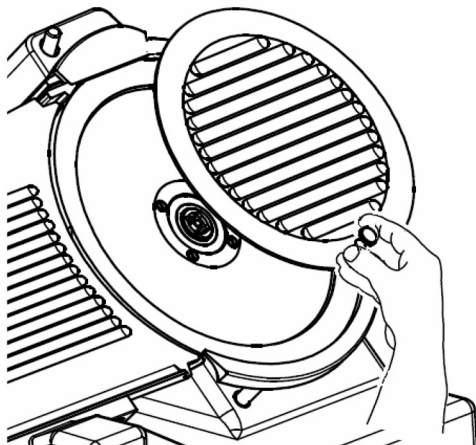
Reensamblaje del deflector de corte

1. Coloque el deflector de corte con cuidado en su lugar, como se muestra en la imagen.



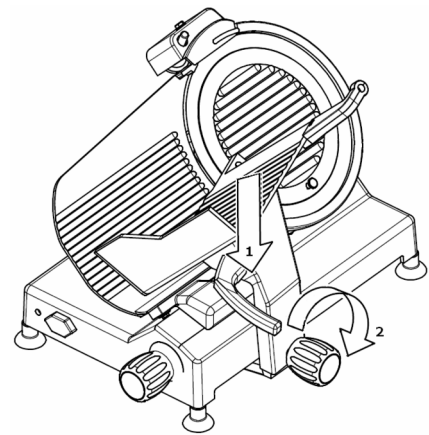
Reensamblaje de la placa central

1. Vuelva a colocar la placa central como se muestra en la imagen asegurándose de que la unión de la sección esté en su posición.
2. Inserte la barra de tensión para el bloqueo y enrosque completamente.
3. Vuelva a ensamblar con cuidado y no aplaste las roscas de la varilla ni las del casquillo de la placa central.



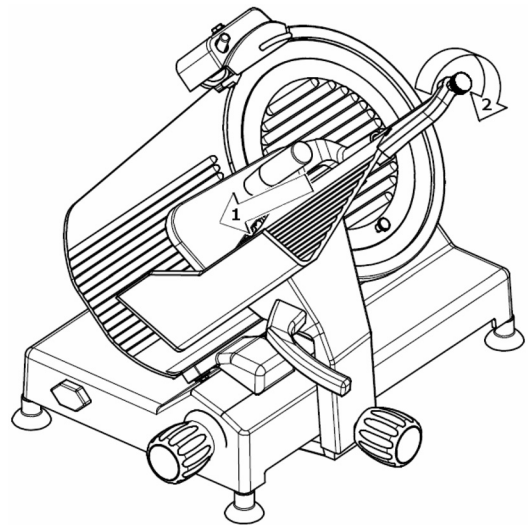
Reensamblaje de la mesa de producto

1. Inserte todo el grupo en el carro como se muestra en la imagen.
2. Apriete el pomo de bloqueo.



Reensamblaje del empujador de fiambre

1. Introduzca la barra en el empujador de fiambre y en el orificio de la extensión.
2. Apriete el pomo de bloqueo.



Instrucciones de afilado

PRECAUCIÓN

La cuchilla debe afilarse, como mínimo, a diario. No afile una cuchilla que no esté limpia. Dañará las piedras de afilar y no podrá afilar la cuchilla.

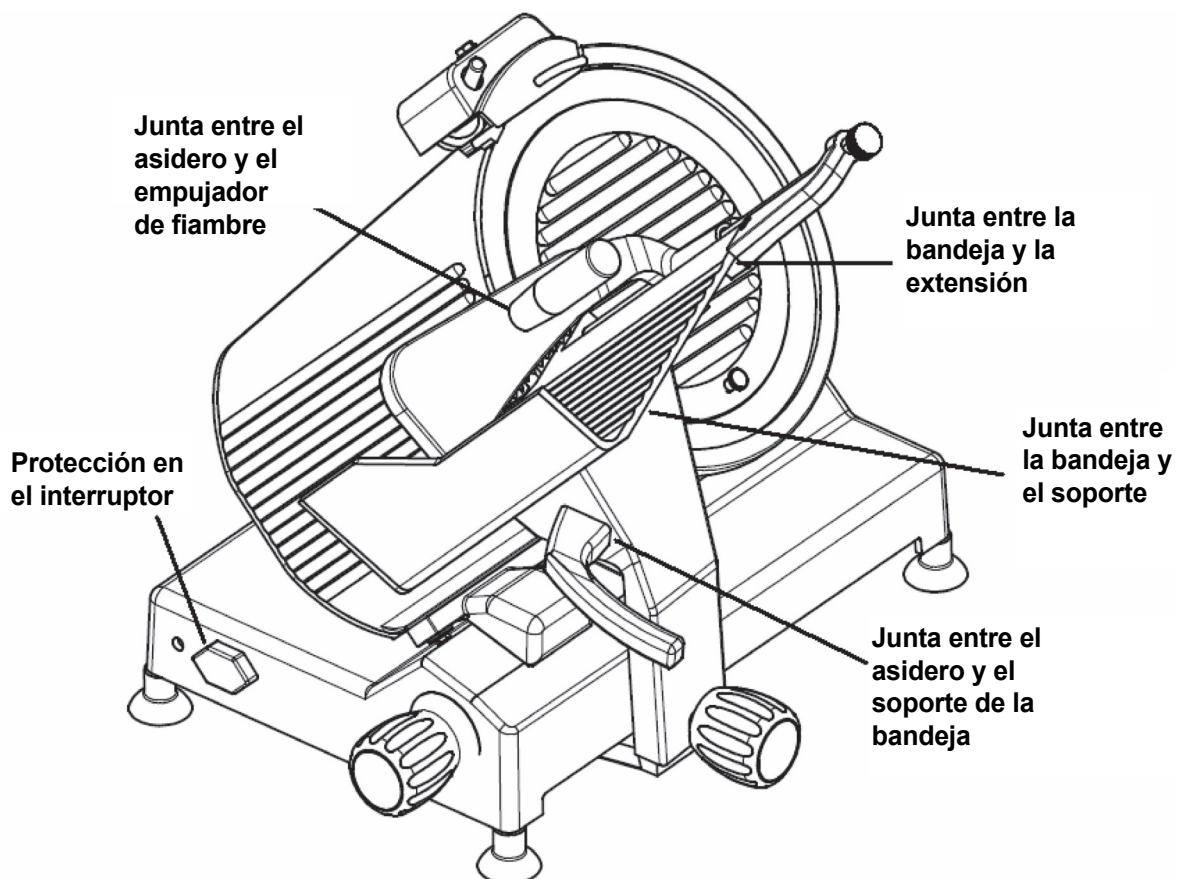
1. Desconecte la alimentación eléctrica.
2. Desenchufe la cortadora.
3. Gire el mando de control del grosor completamente hacia la derecha para colocar el plato medidor en su posición de cierre total.
4. Limpie la cuchilla completamente. Limpie siempre desde el centro hacia el borde exterior de la cuchilla. Nunca mueva la mano hacia el filo de la cuchilla.
5. Afloje el pomo de bloqueo del afilador, levántelo y gírelo hasta que las piedras se asienten, con una en cada lado de la cuchilla. Vuelva a apretar el mando para mantener el afilador en su posición de afilado.
6. Enchufe la cortadora y conecte la alimentación eléctrica.
7. Presione el pulsador de la piedra de afilar para acercar la piedra a la cuchilla, manténgalo pulsado durante 5 a 10 segundos y suéltelo. Cuando el afilador está en su posición de afilado, el pulsador de la piedra de afilar está en el lado izquierdo de la cuchilla.
8. Presione el pulsador de la piedra de desbarbar para acercar la piedra a la cuchilla, manténgalo pulsado durante 2 a 3 segundos y suéltelo. Cuando el afilador está en su posición de afilado, el pulsador de la piedra de afilar está en el lado derecho de la cuchilla.
9. Desconecte la alimentación eléctrica.
10. Vuelva a colocar el afilador en su posición de almacenamiento y bloquéelo en su sitio.
11. Limpie la cortadora antes de cortar el producto. (Consulte las “Instrucciones de limpieza y desinfección”).

La cortadora está ahora afilada, limpia y desinfectada —lista para ser utilizada.

MANTENIMIENTO DEL AFILADOR

1. APAGUE la cortadora, gire el pomo de ajuste hacia la derecha y desenchufe el cable de alimentación de la toma de corriente.
2. Afloje el pomo de bloqueo del afilador y levante el afilador.
3. Limpie la tapa con agua y detergente. Limpie cuidadosamente el ensamble del afilador y alrededor de las piedras. NO sumerja el ensamble del afilador. Engrase los ensambles de husillo y cojinete con aceite para máquinas de alimentos Berkel.
4. Compruebe las piedras. Si no giran libremente, están grasientas o llenas de acumulaciones metálicas, deben limpiarse. (Consulte “Limpieza de las piedras de afilar”.) Si las piedras están agrietadas o astilladas deben ser sustituidas.
5. Engrase los ejes del afilador. Ponga unas gotas de aceite para máquinas de alimentos Berkel en cada eje. Mueva los botones pulsadores de las piedras de afilar y desbarbar hacia adelante y atrás para asegurarse de que las piedras se mueven hacia adentro y afuera con facilidad. Además, gire las piedras para asegurarse de que tienen una rotación libre.
6. Engrase el poste de ensamblaje.
7. Vuelva a colocar el afilador. El afilador debe estar totalmente abajo protegiendo la parte superior de la cuchilla. Bloquee en su lugar.

Inspección de las juntas



El intervalo recomendado entre inspecciones no deberá exceder los seis meses en el caso de los componentes que pueden extraerse para la limpieza y la desinfección (todas las juntas de las imágenes).

Las inspecciones deben estar a cargo del fabricante o su agente de servicio autorizado.

ADVERTENCIA

Si se detecta que falta una junta o un sello o que estos están dañados, la cortadora debe retirarse de servicio hasta que sea reparada por el fabricante o su agente de servicio autorizado.

Piezas de repuesto/servicio de reparación/vistas despiezadas

Póngase en contacto con el servicio técnico de Hobart o con su centro de servicio técnico Berkel designado (DBSL) para cualquier pieza de repuesto/servicio de reparación que necesite su cortadora de fiambre Berkel. Para conocer la oficina de servicio más cercana de Hobart, visite www.hobartservice.com y haga clic en “locate an office” (localizar una oficina). A continuación, introduzca su CÓDIGO POSTAL o seleccione una región para encontrar la oficina más cercana. También puede visitar www.berkequipment.com y hacer clic en la pestaña “Service” (Servicio). A continuación, introduzca su CÓDIGO POSTAL para que se le muestren los puntos de servicio de Hobart o Berkel DBSL más cercanos. Hay disponible más información sobre el producto, como los catálogos de piezas y los manuales de instrucciones/operación, en el sitio web www.berkequipment.com. Haga clic en la pestaña “Resource Center” (Centro de recursos) y, a continuación, en la categoría de información que desee leer o descargar. Asegúrese de introducir el número de modelo de su producto. Puede obtener información adicional en:



ITW Food Equipment Group, LLC

701 S. Ridge Avenue

Troy, OH 45373

Tel.: 800-348-0251

Fax: 800-348-0251

Solución de problemas

Si su cortadora no funciona correctamente, le sugerimos algunos puntos que puede comprobar antes de llamar al servicio técnico de Berkel.

El producto no se corta correctamente: rebanadas gruesas y finas o irregulares

- ¿La cuchilla está afilada? Si no lo está, afile según las instrucciones de este manual. Recuerde, solo afile una cuchilla limpia.
- ¿El tamaño del producto supera la capacidad de la cortadora? Un producto demasiado grande puede rozar el ensamble del afilador causando una interferencia en el rebanado normal.
- ¿El producto está correctamente colocado y sujeto en la mesa de producto? Si no lo está, el producto puede moverse o girar durante la operación de corte dando lugar a rebanadas parciales o gruesas y finas.
- ¿Todos los componentes están bien sujetos en su sitio? Una mesa de producto o un empujador sueltos pueden causar rebanadas inconsistentes.

La cuchilla no se afila

- ¿Se están siguiendo los procedimientos de afilado exactamente como se explica en este manual?
- ¿Están limpias las piedras de afilar? Si no lo están, limpie según las instrucciones dadas en la sección “Mantenimiento del afilador”.
- ¿La cuchilla está limpia? Si están recubiertas de grasa alimentaria, las piedras de afilar no pueden afilar. Limpie según las instrucciones de este manual.
- ¿Las piedras de afilar hacen un contacto sólido con la cuchilla? Si no es así, pida al servicio técnico de Berkel que las ajuste.
- ¿Las piedras de afilar están muy desgastadas y no hacen contacto con la cuchilla? ¿Las piedras de afilar están agrietadas o astilladas? Si es así, pida a su técnico de Berkel que cambie y ajuste las nuevas piedras en la posición adecuada para obtener los mejores resultados de afilado.

Falla eléctrica

- ¿Está la cortadora enchufada a una toma de corriente de 115 VCA con conexión a tierra? Si está bien conectada, la luz blanca de encendido debe iluminarse cuando la cortadora está encendida.
- Inspeccione el cable de alimentación. ¿Se ha dañado, cortando el flujo eléctrico? Si es así, llame a su técnico de Berkel para que sustituya el cable de alimentación.
- ¿Está recibiendo electricidad de la toma de corriente? Compruébelo enchufando otro equipo con los mismos requisitos eléctricos. Además, compruebe el disyuntor o el fusible.
- Si recibe energía eléctrica y su cortadora sigue sin funcionar, póngase en contacto con su técnico de Berkel.

El mando de control del grosor no opera el plato medidor

- Si el mando de control del grosor no abre y cierra bien el plato medidor, esto significa que el mecanismo interno se ha desajustado. No intente ajustar el mecanismo por su cuenta. Llame a su técnico de Hobart o Berkel.

Si corregir cualquiera de las condiciones anteriores no da como resultado una cortadora funcional, llame a su centro de servicio designado de Hobart o Berkel.



Garantía

Efectivo: 14 de febrero, 2002

Berkel garantiza al Comprador de equipos nuevos que dichos equipos, cuando se instalan de acuerdo con nuestras instrucciones y se someten a un uso normal, están libres de defectos de material y de mano de obra durante un periodo de un (1) año a partir de la fecha de venta.¹

BERKEL RECHAZA ESPECÍFICAMENTE CUALQUIER GARANTÍA IMPLÍCITA DE COMERCIALIZACIÓN O GARANTÍA EXPRESA O IMPLÍCITA DE IDONEIDAD PARA UN FIN DETERMINADO.

La obligación y responsabilidad de Berkel en virtud de esta garantía se limita expresamente a la reparación o sustitución del equipo que resulte defectuoso en cuanto a materiales o mano de obra dentro del periodo de garantía aplicable. Berkel o un centro de servicio designado por Berkel realizará todas las reparaciones conforme a esta garantía. Berkel excluye expresamente la responsabilidad por daños incidentales o consecuentes al comprador o a cualquier tercero, incluyendo, sin limitación, los daños derivados de lesiones personales, pérdida de beneficios, pérdida de oportunidades de negocio, pérdida de bienes, pérdidas económicas o daños legales o estatutarios, ya sea por negligencia, garantía, responsabilidad estricta o de otro tipo.

Esta garantía no se aplica: al mantenimiento periódico del equipo, incluyendo pero no limitándose a la lubricación, la sustitución de hojas de cuchilla desgastadas, cuchillas, piedras, mandos, accesorios y elementos diversos consumibles, y otros ajustes necesarios debido a la configuración de la instalación o al desgaste normal.

Estas garantías se otorgan únicamente al primer comprador de un canal de distribución autorizado por Berkel. No se ofrece ninguna garantía a los cesionarios posteriores.

Las anteriores disposiciones de garantía son una declaración completa y exclusiva de la garantía entre el comprador y el vendedor. Berkel no asume ni autoriza a ninguna persona a asumir ninguna otra obligación o responsabilidad relacionada con dicho equipo. Esta garantía sustituye a todas y cada una de las garantías anteriores al objeto de la misma.