



# LEVODESK™

*Specification Sheet*



Level up with Levodesk™

# LEVODESK™

The APOL Levodesk™ is the perfect centerpiece for your workspace.

With an incredibly sleek design combined with advanced technology, Levodesk™ will undoubtedly revolutionize your workspace while increasing productivity and well-being.

## Izara Wood Collection



*Teak*   *Walnut*   *Chestnut*



### Exquisite Table Tops

Our Izara Wood Collection is made with advanced and high-end MDF wood, making our table tops strong, durable, and sustainable.

# Rex Stone Collection



*Grey*



## **Exquisite Sintered Stone Tabletop**

Our Rex Stone collection is constructed with high-end sintered stone and has rounded edges to exude a modern minimalist design.

## **Durability**

Constructed by using only natural minerals, our sintered stone table tops are nearly indestructible offering long-term sustainability and ideal for daily use.

## **Resistance**

- Heat-resistant
- Stain-free
- Scratch-free
- Waterproof

# LEVODESK™ Features

## Industry-leading height range

The desk can be adjusted to a height range of 66cm - 131cm in less than a second for maximum efficiency.

## Dynamic movement & speed

Levodesk™ moves 50% faster than other standing desks, at a rate of 4cm per second and operates at less than 50 decibels.

## Cable management system

With the implementation of the 'easy-access' integrated cable management tray, you can seamlessly hide all your under-desk cables in sight.

## Unrivaled stability

The Levodesk™ has powerful dual motors, built-in adjustable and anti-collision technology with sensitivity levels ranging from 0 to 9, as well as a soft start/stop..

## Ultra strong construction

Our reinforced solid carbon steel T-shape legs support the heaviest desk setups and guarantees years of use with a weight capacity of 120kg.

## Smart touch panel

- Power-Saving Mode
- LED Display
- 4 Memory Presets
- Manual Height Adjustments

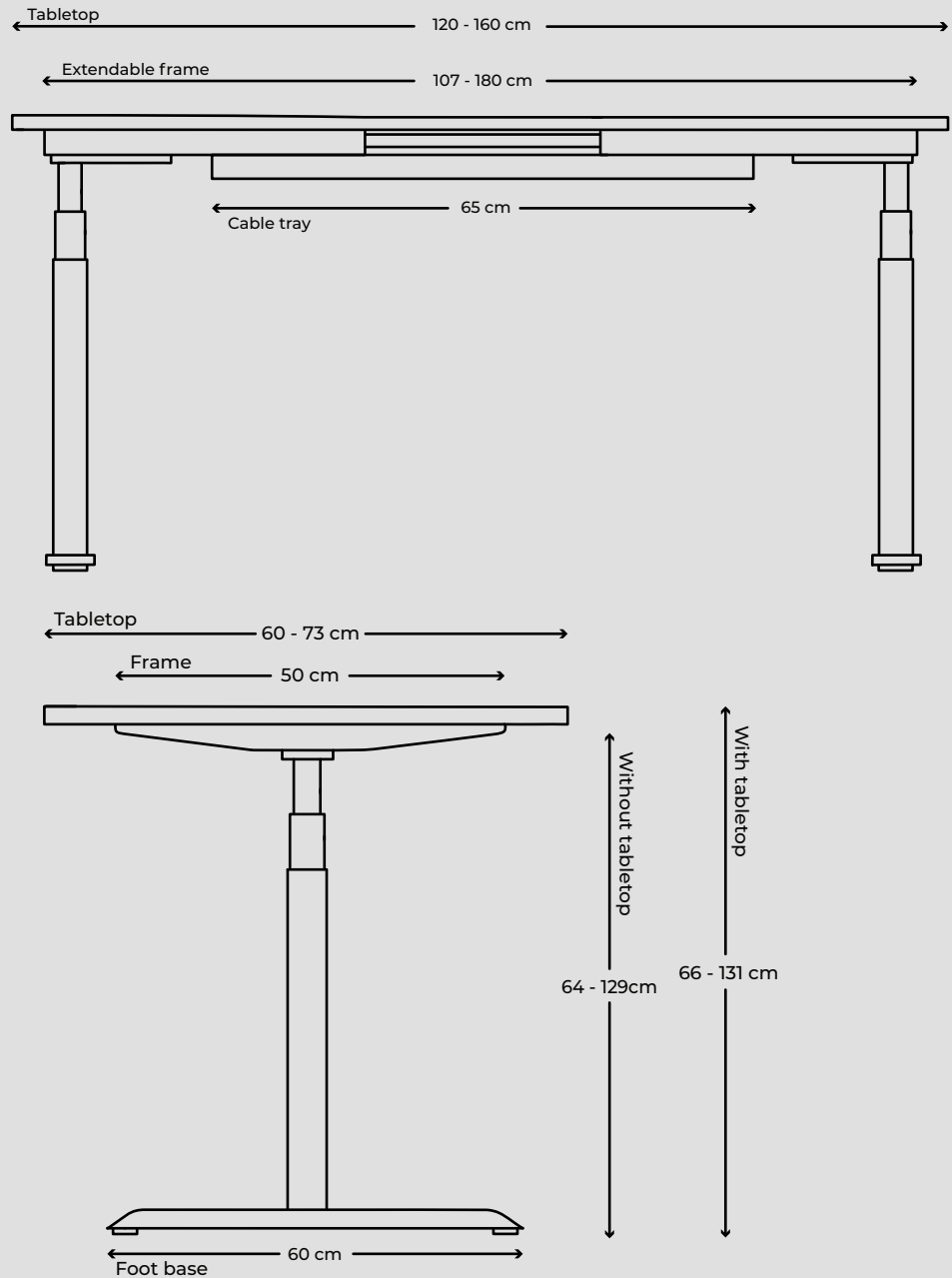
## Policies

### Warranty

All Levodesk™ comes with 3 years of guaranteed warranty.

Engage with us and share a photo of your Levodesk™ to receive a complimentary 2 year warranty extension.

# Specifications



## Standing Desk Dimensions

Izara Wood Collection:

L (120 - 160 cm) x W (60 - 73 cm) x H (66 - 131cm)

Rex Stone Collection:

L (140 - 160 cm) x W (70 cm) x H (66 - 131cm)

## Adjustments

Maximum load capacity: 120kg

Motor speed: 40mm/s

Noise: < 50dB

## Package details

- Box count: 3
- Tabletop (120\*60): L (127cm) x W (67cm) x H (7cm) (18kg)
- Tabletop (140\*70/73): L (147cm) x W (77cm) x H (7cm) (20.35kg)
- Tabletop (160\*70/73): L (170cm) x W (81cm) x H (13cm) (29.80kg)
- Frame: L (108cm) x W (32cm) x H (22cm) (29.5kg)
- Cable tray: L (70.5cm) x W (17.5cm) x H (10cm) (2.25kg)